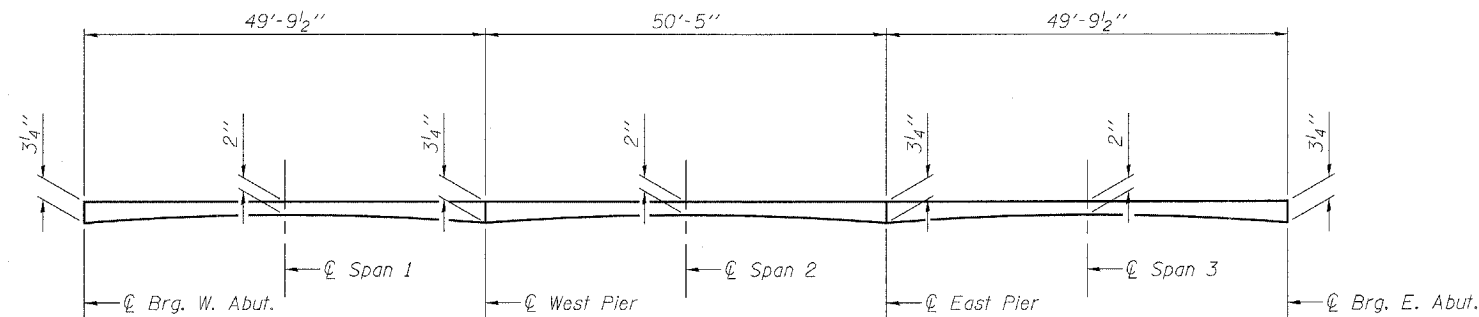


STATE OF ILLINOIS
DEPARTMENT OF TRANSPORTATION

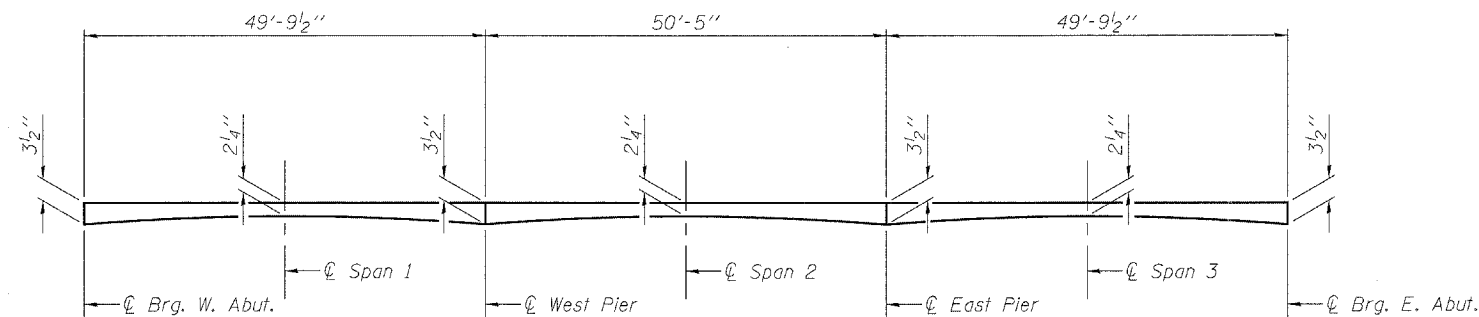
ROUTE NO.	SECTION	COUNTY	TOTAL SHEETS	SHEET NO.
F.A.P. 329	126BR-1	RANDOLPH	27	20
FED. ROAD DIST. NO. 7	ILLINOIS	FED. AID PROJECT		

SHEET NO. 6
10 SHEETS

Contract #76898

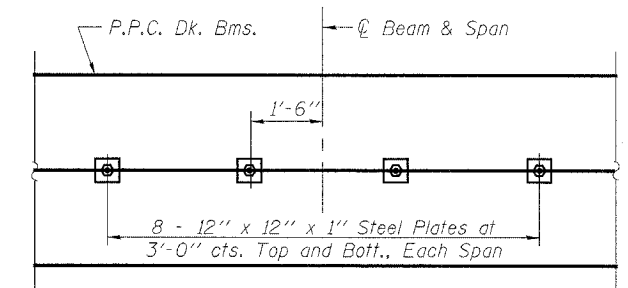


BITUMINOUS CONCRETE SURFACE COURSE PROFILE
(Bituminous concrete surface course along edge of beams)

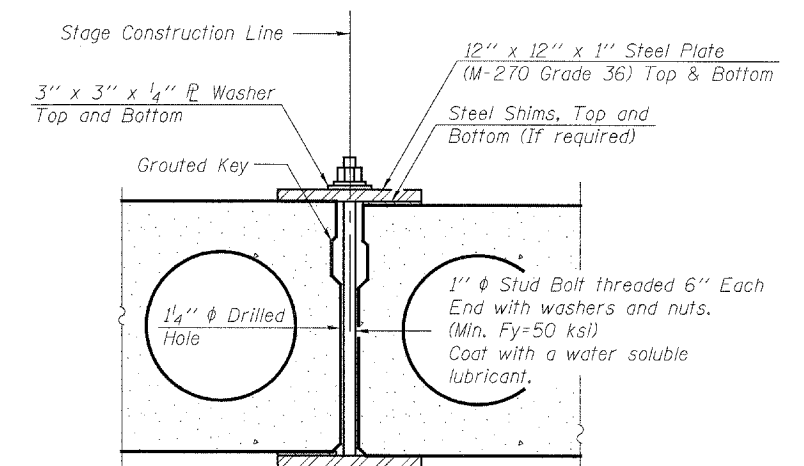


BITUMINOUS CONCRETE SURFACE COURSE PROFILE
(Bituminous concrete surface course along roadway)

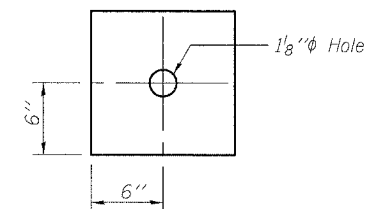
Note:
Bituminous Concrete Surface Course Profile dimensions include 1/2" for waterproofing membrane thickness.



PLAN



SECTION



CLAMPING PLATE

SHEAR KEY CLAMPING DETAILS AT STAGE CONST. JT.

See Special Provisions for Stage Construction of Precast Prestressed Concrete Deck Beams.
Cost included with "Precast Prestressed Concrete Deck Beams".
See Stage Construction Details for traffic lanes.

DESIGNED	NJM
CHECKED	EML
DRAWN	NJM
CHECKED	EML

HORNER & SHIFRIN, INC.
ENGINEERS ■ ARCHITECTS ■ PLANNERS

SUPERSTRUCTURE DETAILS
F.A.P. ROUTE 329 - SECTION 126BR-1
RANDOLPH COUNTY
STATION 718+90.00
STRUCTURE NO. 079-0016