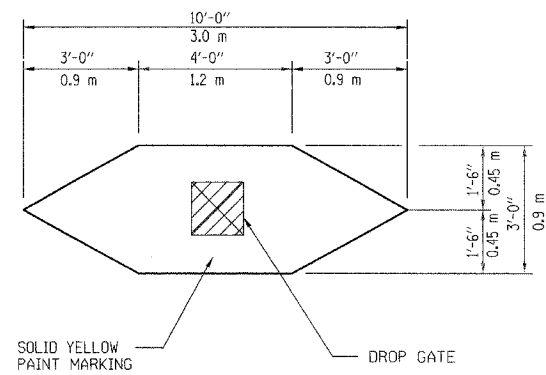
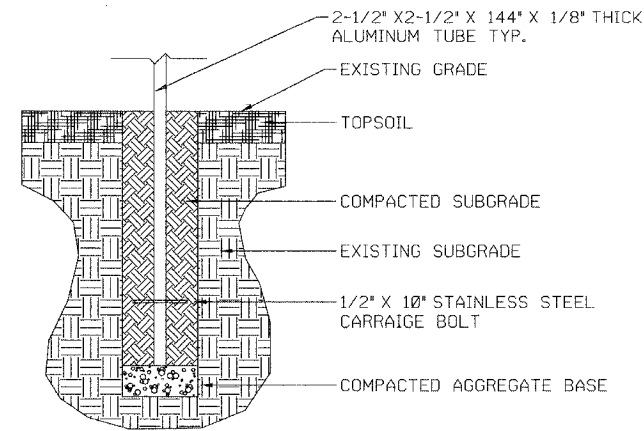


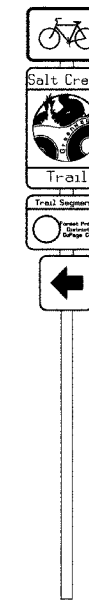
SECTION	COUNTY	TOTAL SHEETS	SHEET NO.
02-00090-00-B1	DUPAGE	117	37
STA.	TO STA.		
IDOT PROJECT NO. M-8003(222)			
SALT CREEK GREENWAY TRAIL			
CONTRACT NO. 83713			



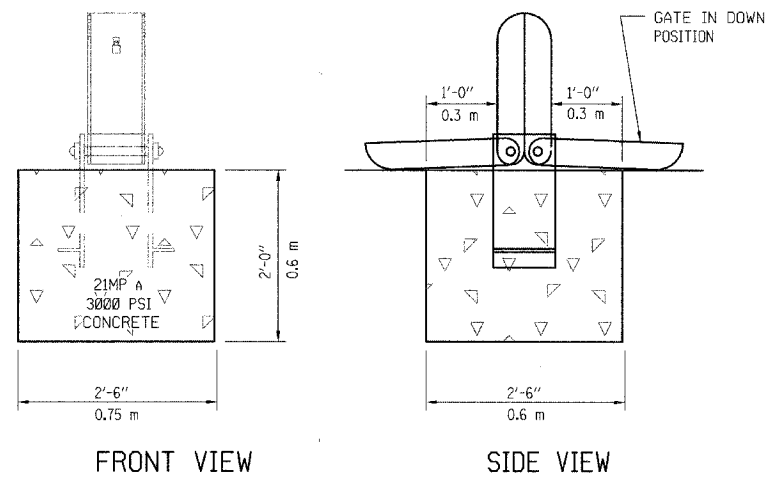
**TIP DOWN GATE MARKING DETAIL**  
N.T.S.



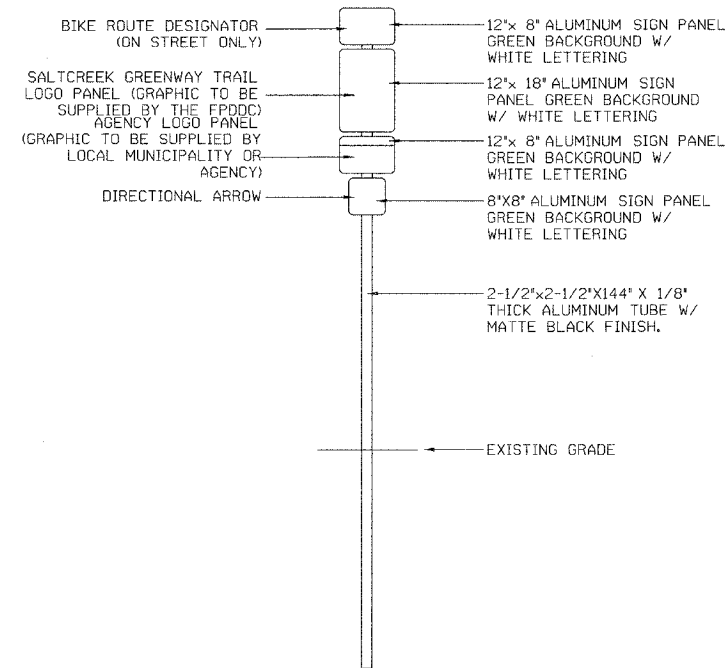
**D4 SIGN BASE DETAIL**  
SECTION - N.T.S.



**D6 TRAIL MARKER**  
DESIGN - N.T.S.



**TIP DOWN GATE INSTALLATION DETAIL**  
N.T.S.



**A6 TRAIL MARKER**  
ELEVATION - N.T.S.

REVISIONS		
NO.	NAME	DATE

**URS** 1701 GOLF ROAD, SUITE 1000 TEL (847) 228-0707  
ROLLING MEADOWS, IL 60008 FAX (847) 228-1115

VILLAGE OF ADDISON  
**SALT CREEK GREENWAY TRAIL**  
SIGN DETAILS

DATE: 10/22/04 DRAWN BY: MIA&VP  
DESIGNED BY: MIA CHECKED BY: DDL