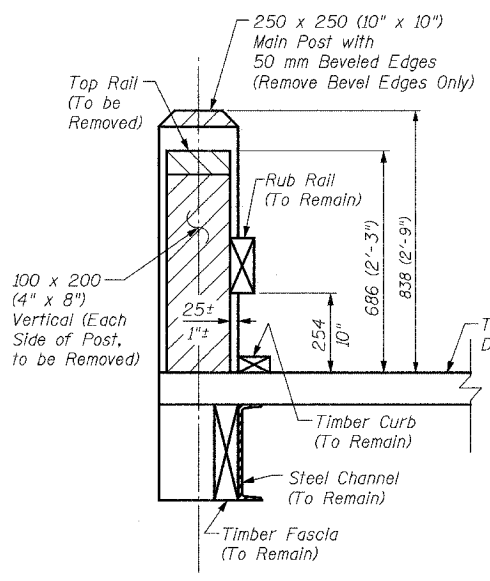
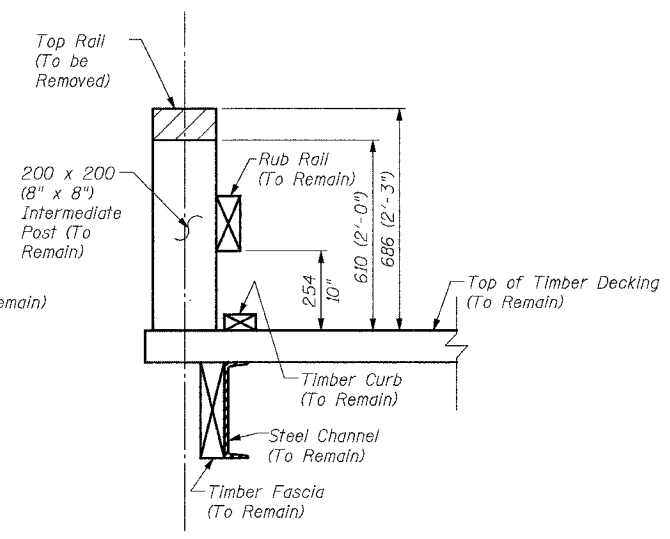


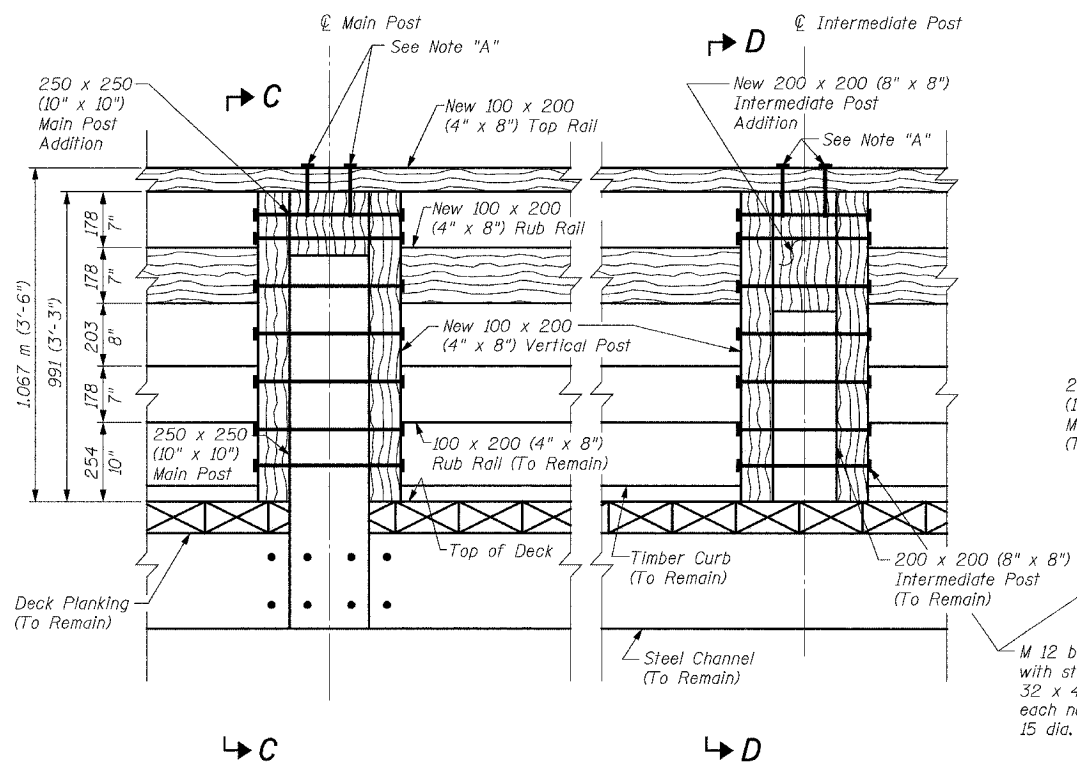
DETAIL 1
 (Showing Removal)



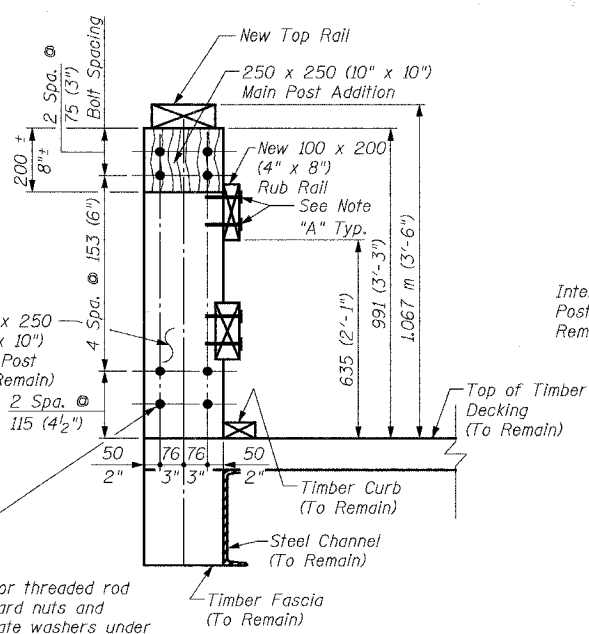
SECTION A-A
 (Showing Removal)



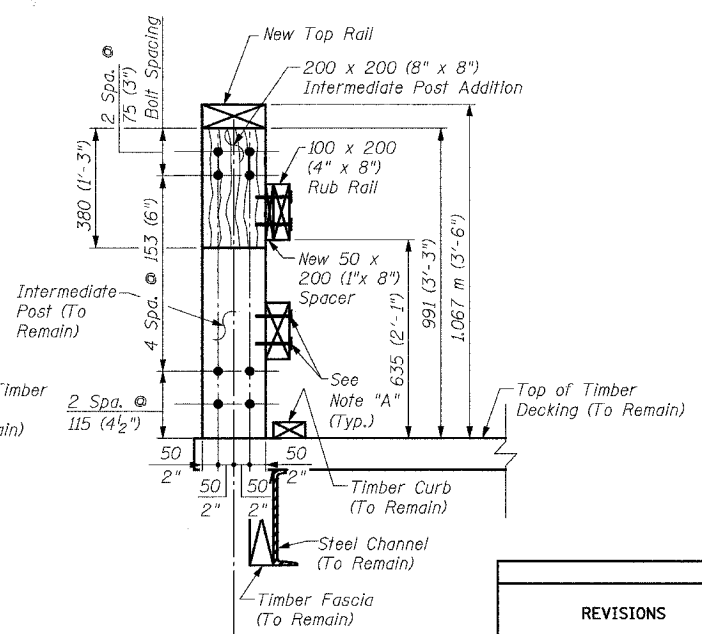
SECTION B-B
 (Showing Removal)



DETAIL 2
 (Showing New Railing)



SECTION C-C
 (Showing New Railing)



SECTION D-D
 (Showing New Railing)

Note "A":
 Attach top rail and rub rail to intermediate and main posts with 60d galvanized common wire nails with 5 nails per attachment location. Contractor shall pre-drill 3 mm diameter holes to avoid splitting timber.

LEGEND
 Existing Timber Railing to be removed
 New Timber Railing

REVISIONS		NAME	DATE
NO.	DESCRIPTION		

URS
 1701 GOLF ROAD, SUITE 1000
 ROLLING MEADOWS, IL 60008

VILLAGE OF ADDISON
 SALT CREEK GREENWAY TRAIL
 BRIDGE RAILING STA. 9+464.942
 DETAILS

TEL (847) 228-0707
 FAX (847) 228-1115

DATE: 11/03/04
DESIGNED BY: MDS

DRAWN BY: MDS
CHECKED BY: GAT