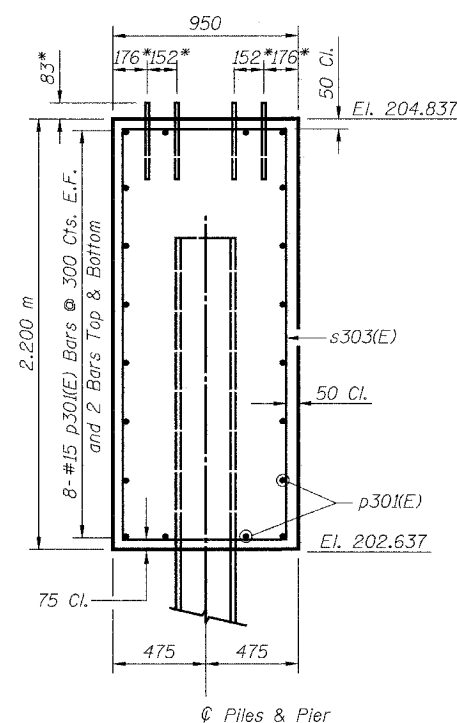


ELEVATION

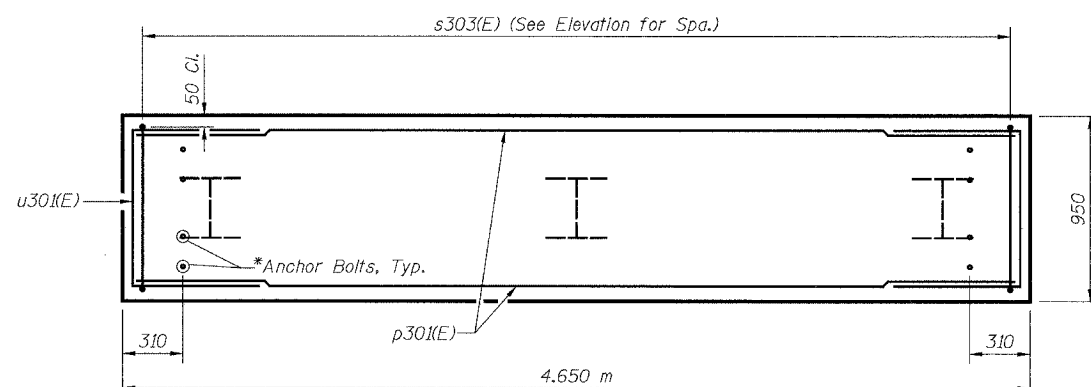
PILE DATA:

Type: HP310x79
 Capacity: Driven to Refusal
 Est. Length: 21.0 m
 No. Required: 3

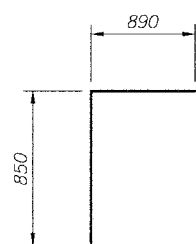


SECTION B-B

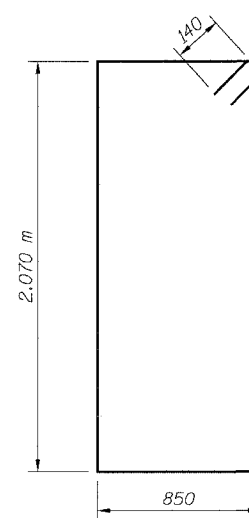
*Anchor bolt size and locations shall be checked against the bridge fabricator's requirements prior to setting them.



PLAN



BAR u30(E)



BAR s30(E)

BILL OF MATERIAL

Bar	No.	Size	Length	Shape
p30(E)	20	#15	4.55 m	—
s30(E)	14	#15	6.12 m	□
u30(E)	16	#15	2.63 m	└
Concrete Structures			Cu. M	9.8
Reinforcement Bars, Epoxy Coated			kg	350
Furnishing Steel Piles HP310x79			Meter	63
Driving Steel Piles			Meter	63
Metal Shoes			Each	3
Structure Excavation			Cu. M	5.1

LEGEND

E.F. = Each Face

MIN. BAR LAP

#15 = 890

NOTES:

- Space reinforcement in cap to miss anchor bolts.
- All edges shall have standard 20 mm chamfers except as noted.
- For Anchor Bolt Details, see Sheet S27.
- There shall be no splicing of longitudinal bars. Bars shall be ordered full length.
- Bars designated (E) shall be epoxy coated.

SHEET S14 of S28

REVISIONS		NAME	DATE
NO.	DESCRIPTION		

1701 GOLF ROAD, SUITE 1000
 ROLLING MEADOWS, IL 60008
 TEL (847) 228-0707
 FAX (847) 228-1115

VILLAGE OF ADDISON
**SALT CREEK GREENWAY TRAIL
 PEDESTRIAN BRIDGE, STA. 15+837.5
 PIER DETAILS**

DATE: 11/03/04
DESIGNED BY: MDS

DRAWN BY: MDS
CHECKED BY: GAT