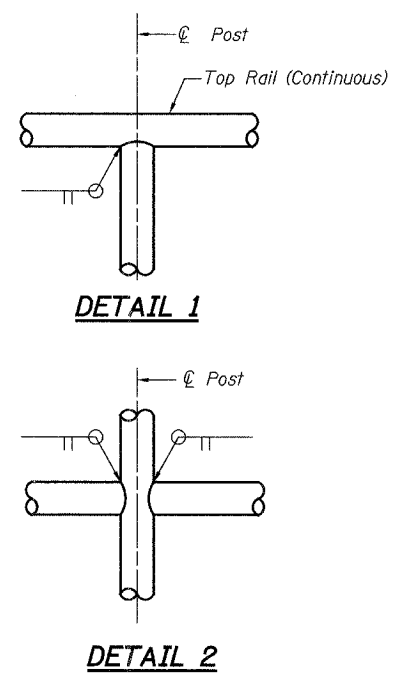
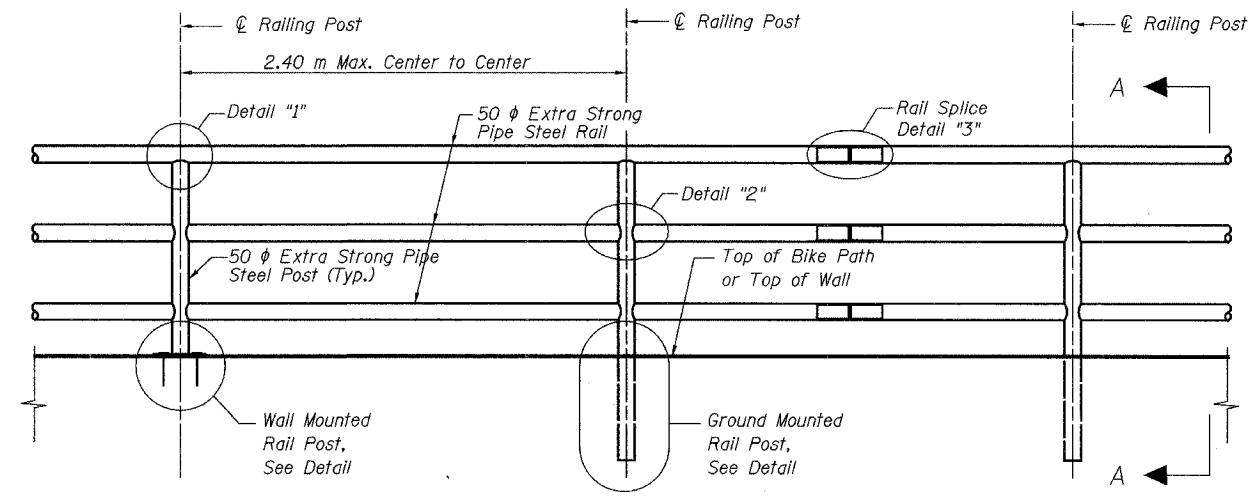


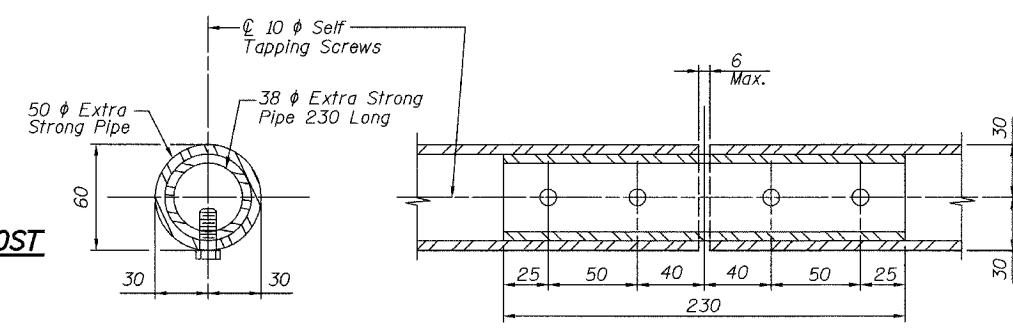
DETAIL - GROUND MOUNTED RAIL POST **DETAIL - WALL MOUNTED RAIL POST**



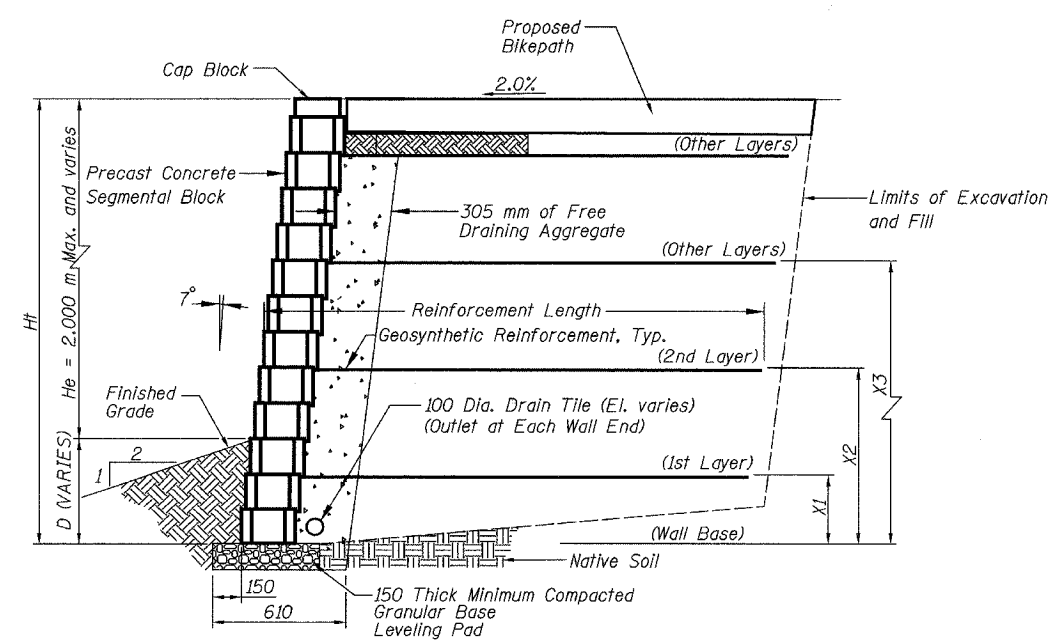
DETAIL 1
DETAIL 2



TYPICAL PIPE HANDRAIL ELEVATION

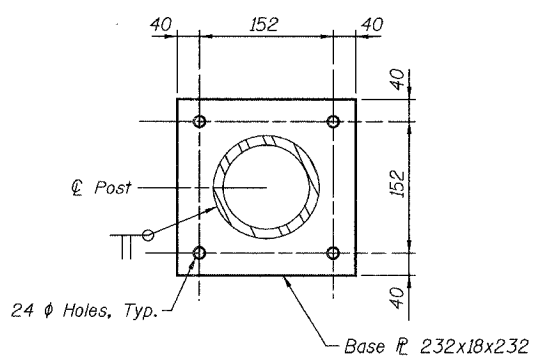


DETAIL 3 - RAIL SPLICE

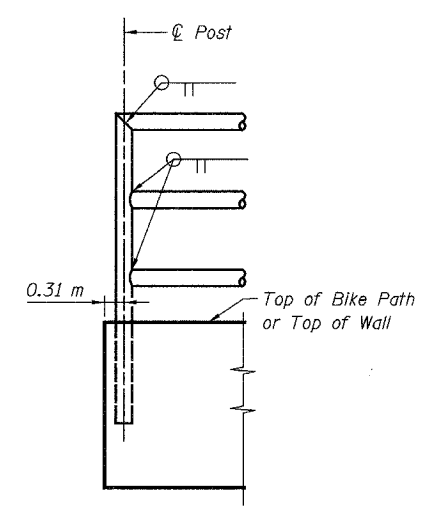


TYPICAL SECTION THROUGH SEGMENTAL CONCRETE BLOCK WALL

Notes: Hf, X1, X2 and X3 to be determined by Fabricator




SECTION B-B



ELEVATION SHOWING END POST

NOTES:

1. The Contractor shall submit design, construction plans with material information, and shop drawings, including connection details, signed by a Structural Engineer licensed in the state of Illinois to the Engineer for approval before ordering materials.
2. Segmental Concrete Block Wall shall be designed to resist equivalent fluid pressure = 6.3 kN/Cu. M.
3. Design of the Segmental Concrete Block Wall shall be in compliance with the guidelines for the design of mechanically stabilized earth walls as developed by AASHTO-AGC-ARTA Joint Committee Task Force 27 Ground Modification Systems.
4. Railing shall be according to Section 509 of the Standard Specifications, except as noted, and will be paid for at the contract unit price per meter.
5. Hollow structural steel tubing shall conform to the requirements of ASTM designation A 500, Grade B, Structural Steel Tubing.
6. All other steel shapes and plates shall conform to the requirements of AASHTO M-270M, Grade 345.
7. All posts, railing, splices, anchor devices, and bent plates shall be galvanized after shop fabrication according to AASHTO M-111 and ASTM A-385. All bolts, nuts and washers shall be galvanized according to AASHTO M-232 except stainless steel bolts as noted.
8. Vent holes for galvanizing shall be placed in the posts and rails at locations that will not allow the accumulation of moisture in the members.
9. Rail to match horizontal profile of bikepath.

REVISIONS		 1701 GOLF ROAD, SUITE 1000 ROLLING MEADOWS, IL 60008 TEL (847) 228-0707 FAX (847) 228-1115
NAME	DATE	
		VILLAGE OF ADDISON SALT CREEK GREENWAY TRAIL TYPICAL SEGMENTAL CONCRETE BLOCK WALL DETAILS

DATE: 06/30/05 DRAWN BY: MDS
 DESIGNED BY: MDS CHECKED BY: GAT