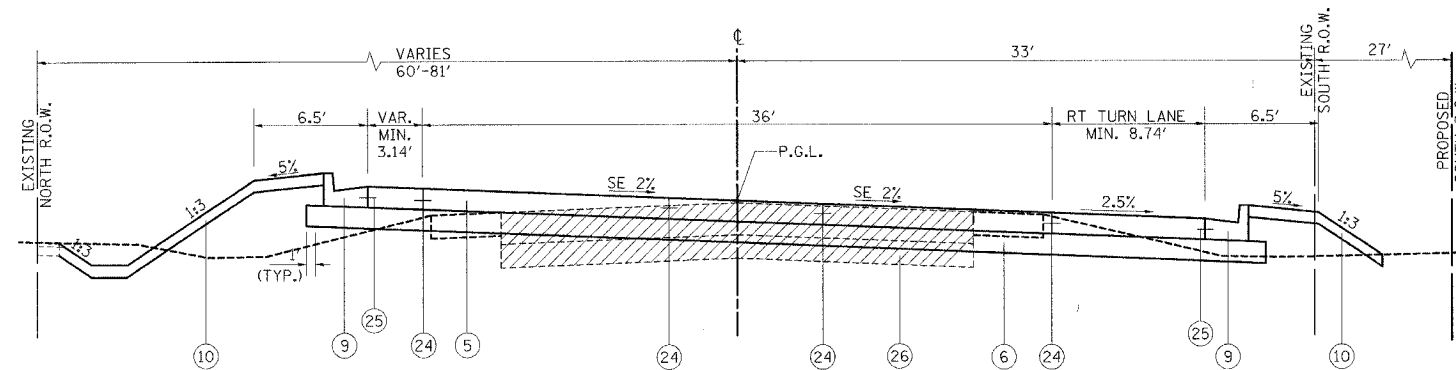
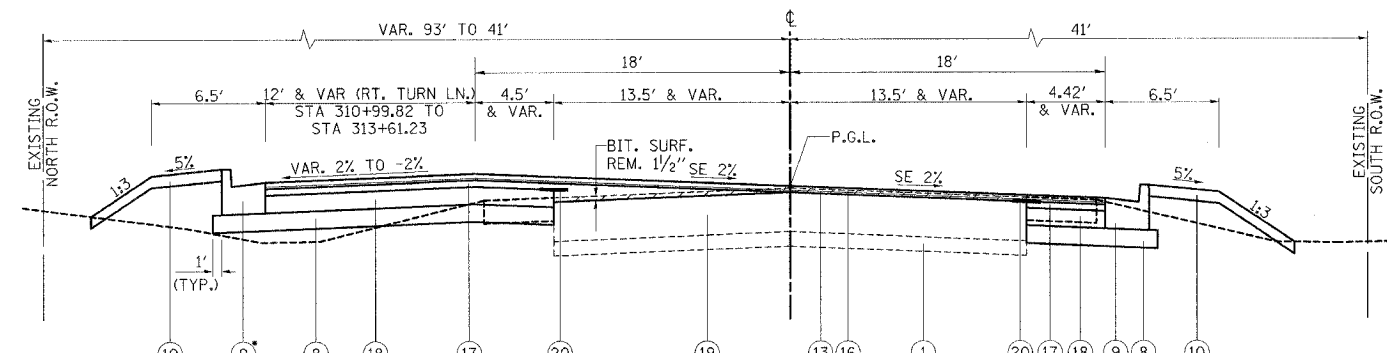


F.A.P. RTE.	SECTION	COUNTY	TOTAL SHEETS	SHEET NO.
336	99-00232-00-WR	KANE	97	11
STA.		TO STA.		
FED. ROAD DIST. NO.		ILLINOIS FED. AID PROJECT		
CONTRACT NO.: 83738				

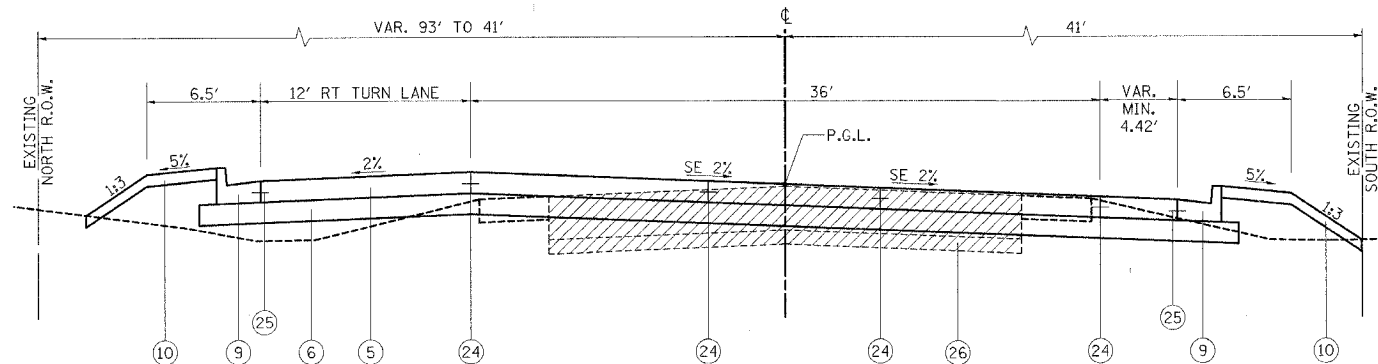


JERICO ROAD
STA. 308+12.98 TO STA. 309+37.72

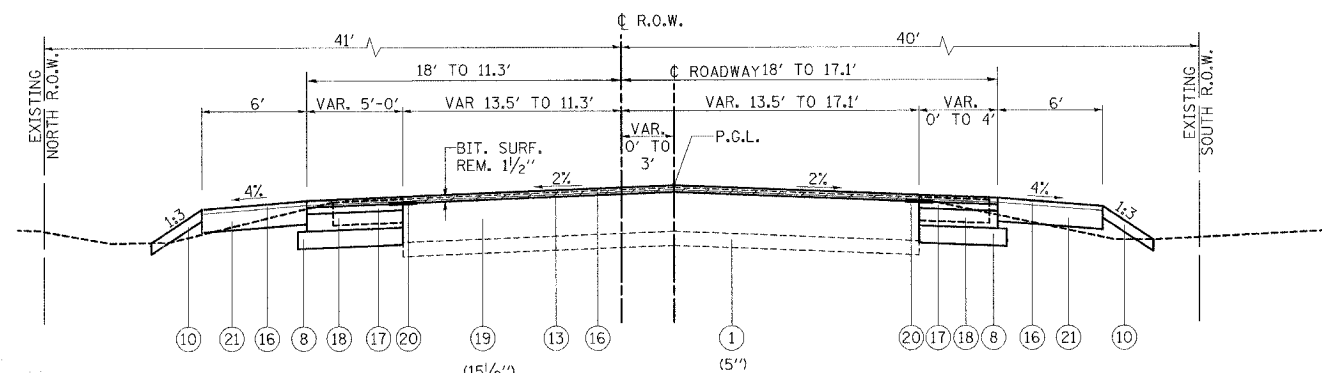


JERICO ROAD
STA. 313+30 - STA. 317+40.18
* - 6' BITUMINOUS SHOULDER, SUPERPAVE, 6 1/2" (15 1/2")
* - 6' BITUMINOUS SHOULDER, SUPERPAVE, 6 1/2" (5")

JERICO ROAD
STA. 311+29.56 TO STA. 314+16.73



JERICO ROAD
STA. 310+36.62 TO STA. 311+29.56



JERICO ROAD
STA. 314+16.73 TO STA. 317+40.40

LEGEND

- ① EXISTING SUB-BASE GRANULAR MATERIAL
- ② EXISTING POZZOLANIC BASE, 8 1/2"
- ③ EXISTING BITUMINOUS OVERLAY, DEPTH VARIES 5" TO 7"
- ④ EXISTING AGGREGATE SHOULDER, 6"
- ⑤ PORTLAND CEMENT CONCRETE PAVEMENT 10" (JOINTED)-(STD 420106)
- ⑥ SUB-BASE GRANULAR MATERIAL, TYPE B, 12"
- ⑦ BITUMINOUS CONCRETE SURFACE COURSE, SUPERPAVE, MIX C, N50, 2"
- ⑧ SUB-BASE GRANULAR MATERIAL, TYPE B, 8"
- ⑨ COMBINATION CONCRETE CURB AND GUTTER, TYPE B-6.24
- ⑩ FURNISHING & PLACING TOPSOIL, 6"
- ⑪ BITUMINOUS SHOULDER, SUPERPAVE, 6"
- ⑫ POLYMERIZED BITUMINOUS CONCRETE SURFACE COURSE, SUPERPAVE, MIX F, N90, 2"
- ⑬ POLYMERIZED LEVELING BINDER (MACHINE METHOD), SUPERPAVE, IL-4.75, N50, 3/4"
- ⑭ POLYMERIZED BITUMINOUS CONCRETE BINDER COURSE, SUPERPAVE, IL-19, N90, 2 1/4"
- ⑮ BITUMINOUS BASE COURSE, SUPERPAVE, 9 1/2"
- ⑯ BITUMINOUS CONCRETE SURFACE COURSE, SUPERPAVE, MIX D, N70, 1 1/2"
- ⑰ BITUMINOUS CONCRETE BINDER COURSE, SUPERPAVE, IL-19, N70, 2 1/4"

LEGEND

- ⑱ BITUMINOUS BASE COURSE WIDENING, SUPERPAVE, 8"
- ⑲ EXISTING BITUMINOUS PAVEMENT, THICKNESS AS NOTED
- ⑳ STRIP REFLECTIVE CRACK CONTROL
- ㉑ BITUMINOUS SHOULDER, SUPERPAVE, 6 1/2"
- ㉒ NOT USED
- ㉓ SAWED LONGITUDINAL JOINT WITH EPOXY COATED #6x30" TIE BARS @ 30" CTS. (COST OF SAW CUT AND TIE BAR INCLUDED WITH PCC PAVEMENT)
- ㉔ LONGITUDINAL CONSTRUCTION JOINT WITH DRILL AND GROUT EPOXY COATED #6x24" TIE BARS @ 24" CTS. (COST OF TIE BARS AND PLACEMENT INCLUDED WITH PCC PAVEMENT)
- ㉕ EPOXY COATED #6x24" TIE BARS @ 24" CTS. (COST OF TIE BARS AND PLACEMENT INCLUDED WITH PCC PAVEMENT)
- ㉖ PAVEMENT REMOVAL (14 1/2" AVG.)
- ㉗ EXISTING BITUMINOUS SHOULDER

<p>Excellence through Ownership</p> <p>200 West Front Street Wheaton, IL 60187</p>	REVISIONS NAME DATE		ILLINOIS DEPARTMENT OF TRANSPORTATION KANE COUNTY DIVISION OF TRANSPORTATION ORCHARD ROAD RECONSTRUCTION JERICO ROAD TYPICAL SECTIONS
	SCALE: VERT. HORIZ. DATE: 11/04/05		