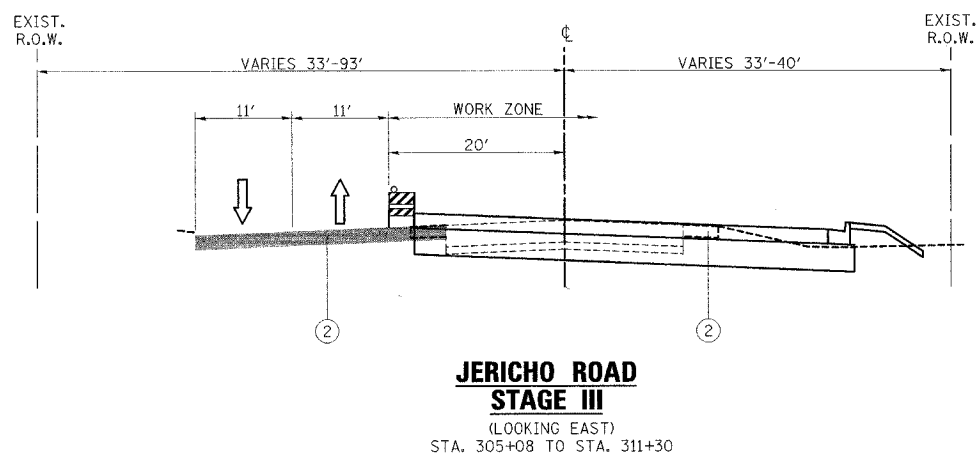
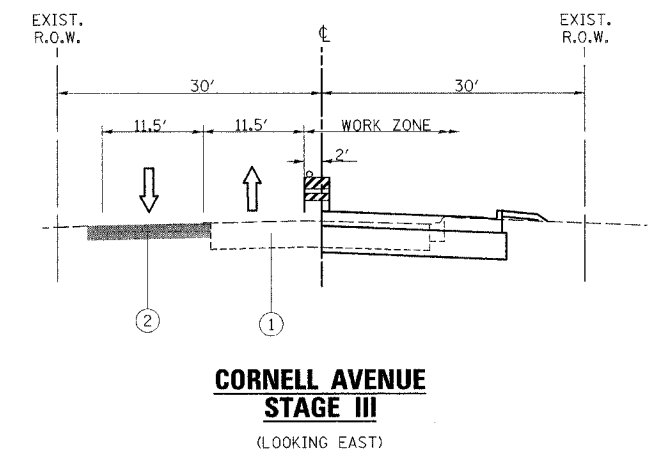
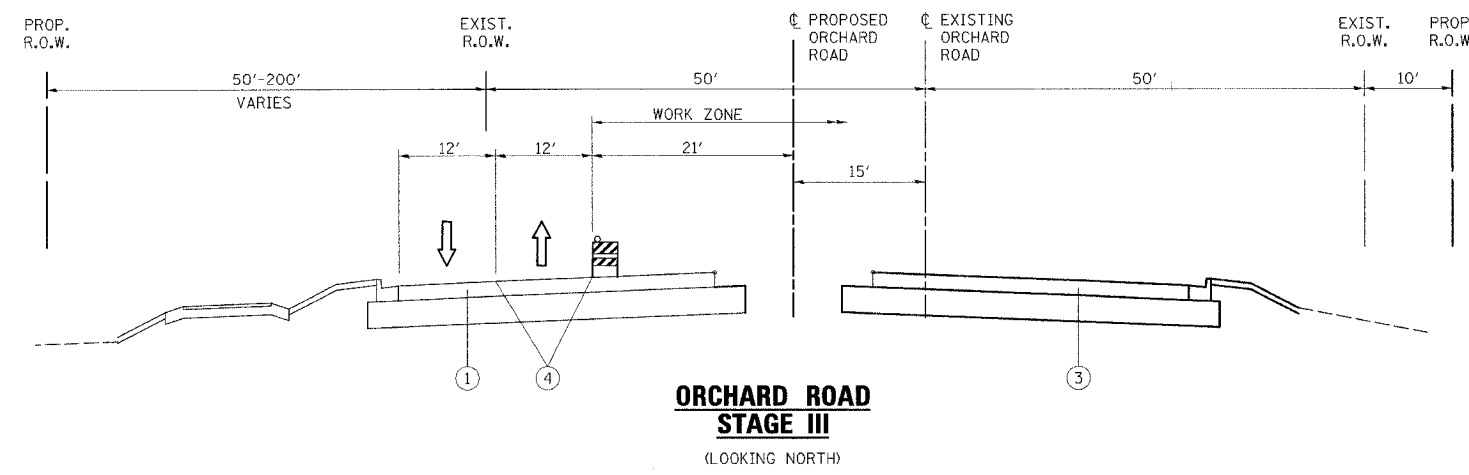


F.A.P. RTE.	SECTION	COUNTY	TOTAL SHEETS	SHEET NO.
336	99-00232-00-WR	KANE	97	24
STA.	TO STA.			
FED. ROAD DIST. NO.	ILLINOIS	FED. AID PROJECT		CONTRACT NO.: 83738



PROJECT CONSTRUCTION STAGE III

TRAFFIC MAINTENANCE:

ORCHARD ROAD - TRAFFIC SHALL BE MAINTAINED ON THE NEW ORCHARD ROAD PAVEMENT BUILT IN STAGE II WITH ONE LANE OF TRAFFIC IN EACH DIRECTION. SOUTHBOUND LEFT TURN LANES SHALL BE PROVIDED AT JERICO ROAD. TRAFFIC CONTROL SHALL BE INSTALLED AS DETAILED IN THESE PLANS.

JERICO ROAD - MAINTAIN ONE LANE OF TRAFFIC IN EACH DIRECTION. TRAFFIC CONTROL SHALL BE INSTALLED AS DETAILED IN THESE PLANS.

CORNELL AVENUE - TRAFFIC SHALL BE MAINTAINED ON THE EXISTING AND TEMPORARY SIDE STREET PAVEMENT WITH ONE LANE OF TRAFFIC IN EACH DIRECTION. TRAFFIC CONTROL SHALL BE INSTALLED AS DETAILED IN THESE PLANS

THE FOLLOWING WORK ITEMS ARE TO BE COMPLETED DURING STAGE III:

- TRAFFIC CONTROL ITEMS, TEMPORARY PAVEMENT MARKING AND OTHER TRAFFIC CONTROL DEVICES SHALL BE INSTALLED THROUGHOUT THE CONSTRUCTION AREA PRIOR TO WORK COMMENCING.
- GRADING AND EMBANKMENT CONSTRUCTION SHALL BE COMPLETED FOR ORCHARD ROAD NORTHBOUND LANES.
- STORM SEWER LATERALS SHALL BE EXTENDED FOR ORCHARD ROAD NORTHBOUND LANES.
- CONSTRUCT ORCHARD ROAD NORTHBOUND PAVEMENT LANES AND OUTSIDE CURB AND GUTTER.
- CONSTRUCT ORCHARD ROAD NORTHBOUND PAVEMENT FROM STA. 165+00 TO 190+47 FIRST IN PREPARATION FOR SUBSEQUENT TEMPORARY LANE TRAFFIC CHANGES
- CONSTRUCT SOUTHERN PORTION OF SIDE STREETS CONCRETE PAVEMENT AS SHOWN IN THESE PLANS
- CONSTRUCT SOUTHEAST PORTION OF THE INTERSECTION OF ORCHARD ROAD AND JERICO ROAD
- INSTALL PERMANENT TRAFFIC SIGNALS AND LIGHTING FOUNDATIONS ALONG NORTHBOUND PAVEMENTS
- COMPLETE FINAL RESTORATION OF EAST EMBANKMENT SLOPES

ALL TEMPORARY PAVEMENT MARKING, ON FINAL PAVEMENT SURFACES, SHALL BE PAVEMENT MARKING TAPE, TYPE III UNLESS NOTED OTHERWISE

SEE SHEET 33 FOR ADDITIONAL MAINTENANCE OF TRAFFIC NOTES.

LEGEND

- ① EXISTING PAVEMENT
- ② TEMPORARY PAVEMENT, 10"
- ③ PROPOSED PAVEMENT
- ④ TEMPORARY PAVEMENT MARKING
- ⑤ TEMPORARY PAVEMENT RAMP

rjngroup
Excellence through Ownership
200 West Front Street
Wheaton, IL 60187

REVISIONS	
NAME	DATE

ILLINOIS DEPARTMENT OF TRANSPORTATION
KANE COUNTY DIVISION OF TRANSPORTATION
ORCHARD ROAD RECONSTRUCTION
**MAINTENANCE OF TRAFFIC
TYPICAL SECTIONS AND NOTES
STAGE III**

SCALE: VERT.
HORIZ.
DATE: 11/04/05

DRAWN BY: RJN
CHECKED BY: SPF

11/4/2005 3:31:33 PM K:\117700\pad\design\117700_sstage3_sections.txd