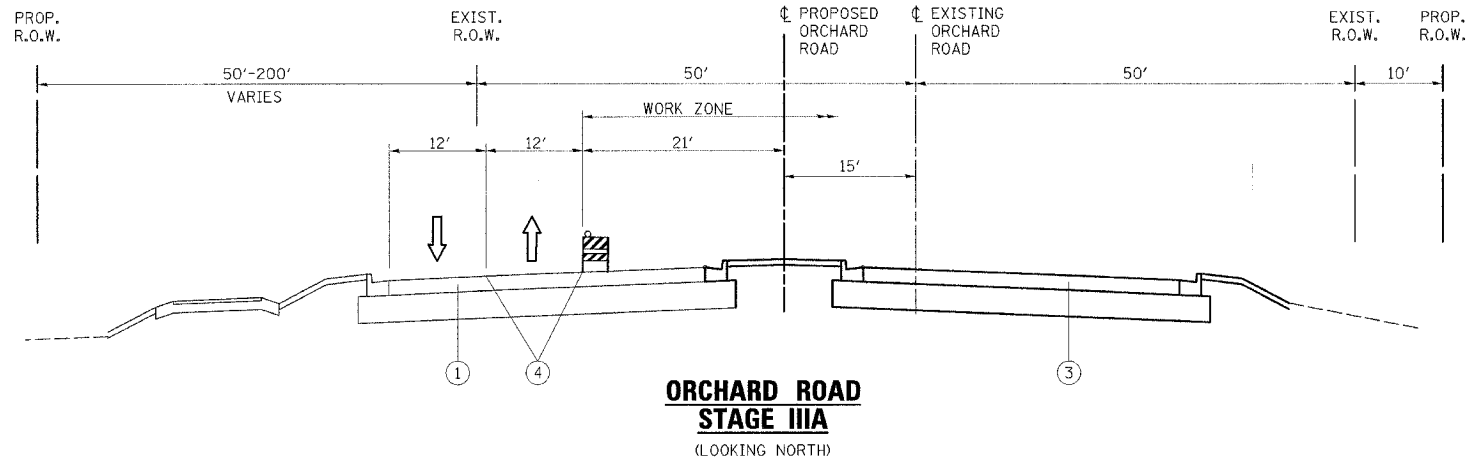
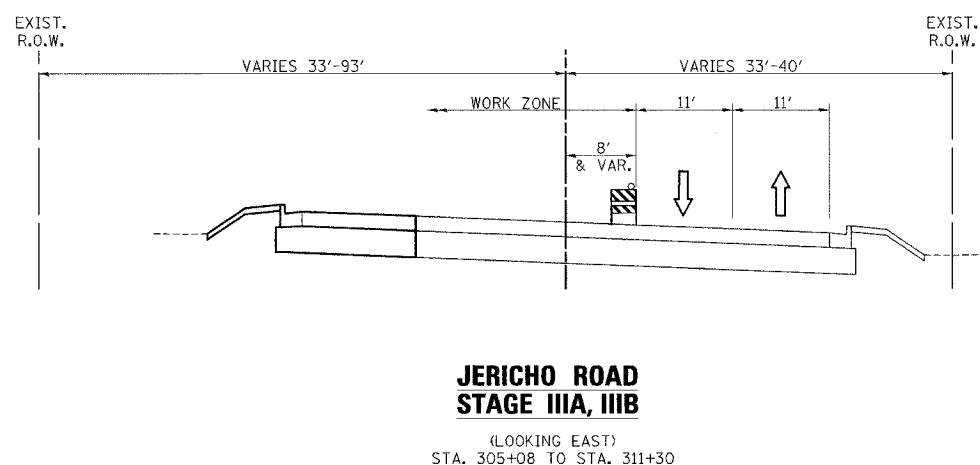


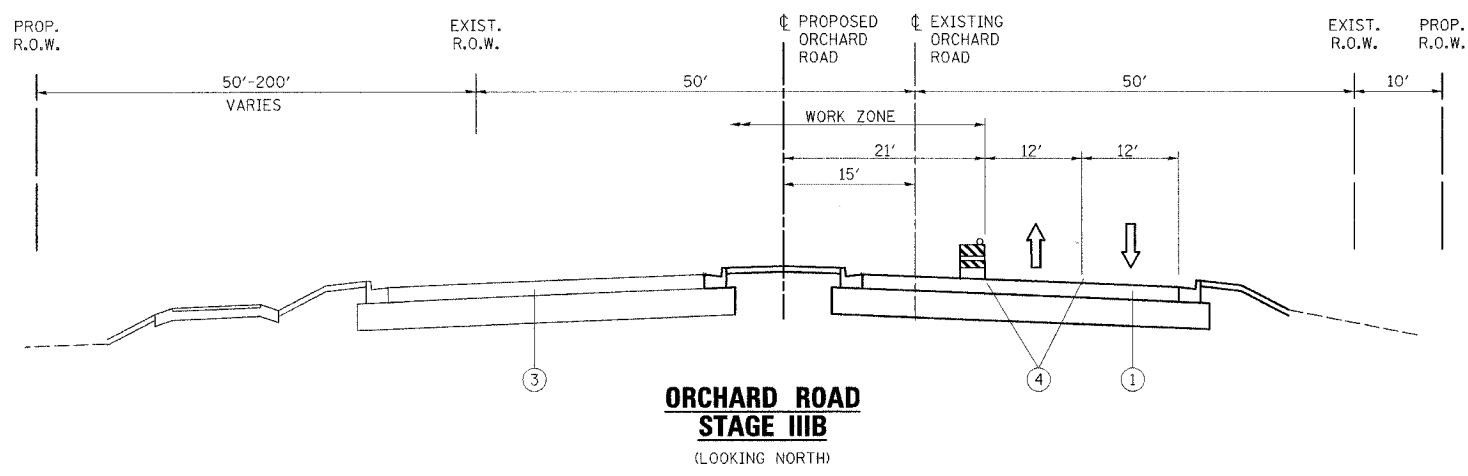
F.A.P. RTE.	SECTION	COUNTY	TOTAL SHEETS	SHEET NO.
336	99-00232-00-WR	KANE	97	28
STA.	TO STA.			
FED. ROAD DIST. NO.	ILLINOIS	FED. AID PROJECT		
CONTRACT NO.: 83738				



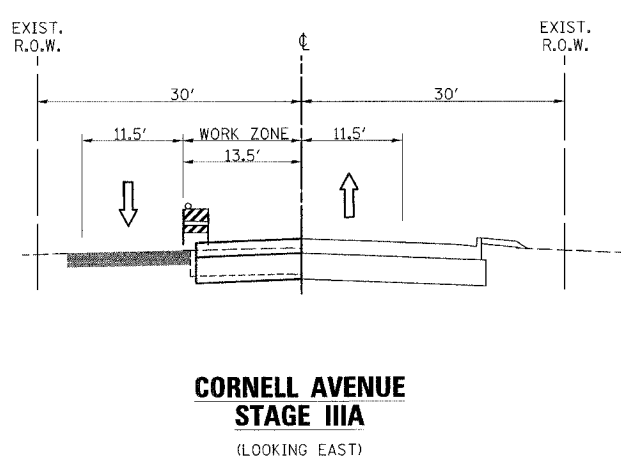
**ORCHARD ROAD
STAGE IIIA**
(LOOKING NORTH)



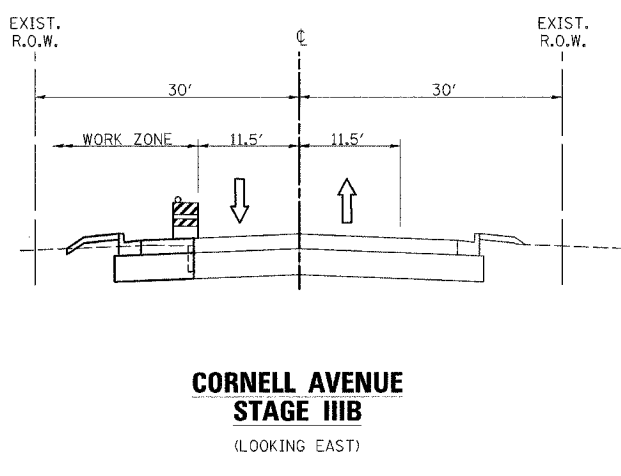
**JERICO ROAD
STAGE IIIA, IIIB**
(LOOKING EAST)
STA. 305+08 TO STA. 311+30



**ORCHARD ROAD
STAGE IIIB**
(LOOKING NORTH)



**CORNELL AVENUE
STAGE IIIA**
(LOOKING EAST)



**CORNELL AVENUE
STAGE IIIB**
(LOOKING EAST)

PROJECT CONSTRUCTION STAGE IIIA

TRAFFIC MAINTENANCE:

ORCHARD ROAD - TRAFFIC SHALL BE MAINTAINED ON THE ORCHARD ROAD PAVEMENT BUILT IN STAGE II WITH ONE LANE OF TRAFFIC IN EACH DIRECTION. SOUTHBOUND LEFT TURN LANES SHALL BE PROVIDED AT JERICO ROAD. TRAFFIC CONTROL SHALL BE INSTALLED AS DETAILED IN THESE PLANS.

JERICO ROAD - TRAFFIC SHALL BE MAINTAINED ON THE PAVEMENT BUILT IN THE PREVIOUS STAGES ON THE SOUTH SIDE OF JERICO ROAD WITH ONE LANE OF TRAFFIC IN EACH DIRECTION. TRAFFIC CONTROL SHALL BE INSTALLED AS DETAILED IN THESE PLANS.

CORNELL AVENUE - TRAFFIC SHALL BE MAINTAINED ON THE EXISTING AND TEMPORARY SIDE STREET PAVEMENT WITH ONE LANE OF TRAFFIC IN EACH DIRECTION. TRAFFIC CONTROL SHALL BE INSTALLED AS DETAILED IN THESE PLANS.

THE FOLLOWING WORK ITEMS ARE TO BE COMPLETED DURING STAGE IIIA:

- TRAFFIC CONTROL ITEMS, TEMPORARY PAVEMENT MARKING AND OTHER TRAFFIC CONTROL DEVICES SHALL BE INSTALLED THROUGHOUT THE CONSTRUCTION AREA PRIOR TO WORK COMMENCING.
- CONSTRUCT CENTER PORTION OF SIDE STREET CONCRETE PAVEMENTS AS SHOWN IN THESE PLANS
- CONSTRUCT NORTHEAST PORTION OF THE INTERSECTION OF ORCHARD ROAD AND JERICO ROAD

ALL TEMPORARY PAVEMENT MARKING, ON FINAL PAVEMENT SURFACES, SHALL BE PAVEMENT MARKING TAPE, TYPE III UNLESS NOTED OTHERWISE

SEE SHEET 33 FOR ADDITIONAL MAINTENANCE OF TRAFFIC NOTES.

PROJECT CONSTRUCTION STAGE IIIB

TRAFFIC MAINTENANCE:

ORCHARD ROAD - TRAFFIC SHALL BE MAINTAINED ON THE ORCHARD ROAD PAVEMENT BUILT IN STAGE II WITH ONE LANE OF TRAFFIC IN EACH DIRECTION. SOUTHBOUND LEFT TURN LANES SHALL BE PROVIDED AT JERICO ROAD. TRAFFIC CONTROL SHALL BE INSTALLED AS DETAILED IN THESE PLANS.

JERICO ROAD - TRAFFIC SHALL BE MAINTAINED ON THE PAVEMENT BUILT IN THE PREVIOUS STAGES ON THE SOUTH SIDE OF JERICO ROAD WITH ONE LANE OF TRAFFIC IN EACH DIRECTION. TRAFFIC CONTROL SHALL BE INSTALLED AS DETAILED IN THESE PLANS.

CORNELL AVENUE - TRAFFIC SHALL BE MAINTAINED ON THE SIDE STREET PAVEMENT BUILT IN PREVIOUS STAGES WITH ONE LANE OF TRAFFIC IN EACH DIRECTION. TRAFFIC CONTROL SHALL BE INSTALLED AS DETAILED IN THESE PLANS.

THE FOLLOWING WORK ITEMS ARE TO BE COMPLETED DURING STAGE IIIB:

- TRAFFIC CONTROL ITEMS, TEMPORARY PAVEMENT MARKING AND OTHER TRAFFIC CONTROL DEVICES SHALL BE INSTALLED THROUGHOUT THE CONSTRUCTION AREA PRIOR TO WORK COMMENCING.
- CONSTRUCT NORTHERN PORTION OF SIDE STREET CONCRETE PAVEMENTS AS SHOWN IN THESE PLANS
- CONSTRUCT NORTHWEST PORTION OF THE INTERSECTION OF ORCHARD ROAD AND JERICO ROAD

ALL TEMPORARY PAVEMENT MARKING, ON FINAL PAVEMENT SURFACES, SHALL BE PAVEMENT MARKING TAPE, TYPE III UNLESS NOTED OTHERWISE

SEE SHEET 33 FOR ADDITIONAL MAINTENANCE OF TRAFFIC NOTES.

LEGEND

- ① EXISTING PAVEMENT
- ② TEMPORARY PAVEMENT, 10"
- ③ PROPOSED PAVEMENT
- ④ TEMPORARY PAVEMENT MARKING
- ⑤ TEMPORARY PAVEMENT RAMP

rjngroup
Excellence through Ownership
200 West Front Street
Wheaton, IL 60187

REVISIONS	
NAME	DATE

ILLINOIS DEPARTMENT OF TRANSPORTATION
KANE COUNTY DIVISION OF TRANSPORTATION
ORCHARD ROAD RECONSTRUCTION
**MAINTENANCE OF TRAFFIC
TYPICAL SECTIONS AND NOTES
STAGE IIIA & IIB**

SCALE: VERT. _____
HORIZ. _____
DATE: 11/04/05

DRAWN BY: RJN
CHECKED BY: SPF

11/4/2005 3:31:45 PM ks:\117700\ced\des\gn_117700_strcgs3cb_sections.lidgn