

△ DRAINAGE STRUCTURES
○ DRAINAGE PIPES

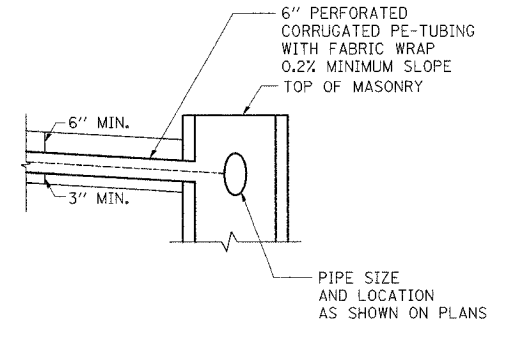
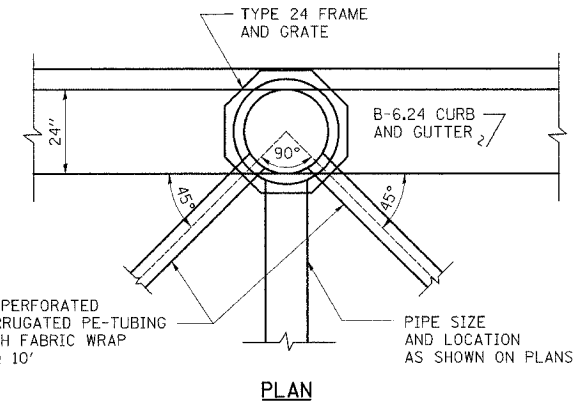
DRAINAGE STRUCTURE TABLE

NO.	STATION	OFFSET	STRUCTURE TYPE			DIA.	FRAME	RIM	NORTH INVERT	SOUTH INVERT	WEST INVERT	EAST INVERT	RESTRICTED DEPTH
			MH	CB	INLET								
E27	176+40.00	59.0' LT.	A			5'	T-1, CL	668.67	660.43	660.38	---	662.58	
E28	176+40.00	45.0' LT.		A		4'	T-24 F&G	667.87	---	---	662.66	662.66	
E29	176+40.00	45.0' RT.			A	2'	T-24 F&G	667.87	---	---	663.27	---	
E30	177+61.74	71.9' LT.	A			5'	T-1, CL	670.59	660.91	660.86	664.73	664.48	
E31	177+65.37	56.91' LT.		A		4'	T-24 F&G	668.25	---	---	664.54	664.79	X
E32	177+90.00	45.0' RT.		A		2'	T-24 F&G	668.83	---	---	665.30	---	
E33	177+97.66	85.31' LT.		A		4'	T-24 F&G	669.50	---	---	666.50	665.07	
E34	308+07.50	26.53' RT.		A		2'	T-24 F&G	671.55	---	---	---	666.98	
E35	179+31.80	53.3' LT.		A		4'	T-24 F&G	670.75	---	---	665.05	---	
E36	174+38.77	78.25' LT.	A			5'	T-1, OL	668.50	662.00	661.54	---	664.88	X
E37	180+10.00	49.8' RT.	A			5'	T-1, CL	672.32	664.20	---	662.38	667.06	
E38	182+00.00	45.0' LT.			A	2'	T-24 F&G	671.94	---	---	---	668.94	
E39	182+00.00	33.0' RT.		A		4'	T-24 F&G	672.24	---	---	668.56	666.37	
E40	182+00.00	45.0' RT.	A			5'	T-1, OL	672.15	664.82	664.57	666.32	---	
E41	182+81.77	40.2' LT.		A		4'	T-24 F&G	671.94	668.85	---	---	666.44	
E42	182+81.77	4.2' RT.		A		4'	T-8	672.61	---	---	666.22	666.22	
E43	182+81.77	33.0' RT.		A		4'	T-24 F&G	672.12	669.12	---	666.08	666.08	
E44	182+81.77	45.0' RT.	A			5'	T-1, OL	672.03	665.54	665.04	666.04	666.04	X
E45	182+81.77	74.0' RT.		A		4'	T-8	668.91	---	---	666.20	---	X
E46	183+11.77	38.7' LT.			A	2'	T-24 F&G	671.99	---	668.99	---	---	
E47	183+11.77	33.0' RT.		A		2'	T-24 F&G	672.57	---	669.26	---	---	
E48	184+00.00	33.3' LT.			A	2'	T-24 F&G	672.39	---	---	669.39	---	
E49	184+00.00	0.8' RT.		A		4'	T-8	672.82	---	---	669.23	666.77	
E50	184+00.00	33.0' RT.		A		4'	T-24 F&G	672.39	---	---	666.62	666.62	
E51	184+00.00	47.3' RT.	A			4'	T-1, OL	672.18	666.08	665.83	666.58	---	
E52	186+00.00	33.0' LT.		A		2'	T-24 F&G	673.47	---	---	---	670.47	
E53	186+00.00	0.0' RT.		A		4'	T-8	673.89	---	---	670.31	667.36	
E54	186+00.00	33.0' RT.		A		4'	T-24 F&G	673.47	---	---	667.21	667.21	
E55	186+00.00	46.5' RT.	A			4'	T-1, OL	673.31	666.92	666.67	667.17	---	
E56	188+00.00	33.0' LT.		A		2'	T-24 F&G	674.57	---	---	671.60	671.57	
E57	188+00.00	0.0' RT.		A		4'	T-8	674.99	---	---	671.41	668.15	
E58	188+00.00	33.0' RT.		A		4'	T-24 F&G	674.57	---	---	668.00	668.00	
E59	188+00.00	45.0' RT.	A			4'	T-1, OL	674.48	667.96	667.71	667.96	---	
E60	190+00.00	33.0' LT.		A		2'	T-24 F&G	675.68	---	---	---	672.68	
E61	190+00.00	0.0' RT.		A		4'	T-8	676.10	---	---	672.52	669.13	
E62	190+00.00	33.0' RT.		A		4'	T-24 F&G	675.68	---	---	668.98	668.98	
E63	190+00.00	45.0' RT.	A			4'	T-1, OL	675.58	---	668.94	---	---	
E56A	188+00.00	45.0' LT.			A	2'	T-8	673.00	---	---	---	671.65	

PIPE TABLE

NO.	STRUCTURE - STRUCTURE	TYPE	DIA.	LIN. FT.	T.B. CU. YD.	SLOPE %
E28	E24 TO E27	TYPE 2	27"	147	125.9	0.35
E29	E27 TO E28	TYPE 2	12"	12	4.34	0.70
E30	E28 TO E29	TYPE 2	12"	87	21.49	0.70
E31	E27 TO E30	TYPE 2	27"	122	125.46	0.35
E32	E30 TO E31	TYPE 2	15"	12	4.64	0.50
E33	E31 TO E32	TYPE 1	12"	103	18.95	0.50
E34	E30 TO E33	TYPE 2	12"	34	22.58	1.00
E35	E33 TO E34	TYPE 2	12"	48	16.90	1.00
E36	E36 TO E35	TYPE 2	12"	17	1.26	1.00
E37	E30 TO E36	TYPE 2	27"	181	95.97	0.20
E38	E36 TO E37	TYPE 2	24"	150	109.78	0.25
E39	E37 TO E40	TYPE 2	30"	185	174.58	0.20
E40	E40 TO E39	TYPE 2	12"	9	0.68	0.50
E41	E39 TO E38	TYPE 1	12"	77	25.49	0.50
E42	E40 TO E44	TYPE 2	27"	76	---	0.30
E43	E44 TO E43	TYPE 2	27"	7	0.43	0.50
E44	E43 TO E42	TYPE 2	12"	27	10.34	0.50
E45	E42 TO E41	TYPE 1	12"	43	15.57	0.50
E46	E44 TO E45	TYPE 1	27"	32	9.36	0.50
E47	E43 TO E47	TYPE 1	12"	28	10.72	0.50
E48	E41 TO E46	TYPE 1	12"	28	8.68	0.50
E49	E44 TO E51	TYPE 2	21"	115	---	0.25
E50	E51 TO E50	TYPE 2	12"	9	0.66	0.50
E51	E50 TO E49	TYPE 2	12"	30	10.56	0.50
E52	E49 TO E48	TYPE 1	12"	32	10.59	0.50
E53	E51 TO E55	TYPE 2	18"	197	---	0.30
E54	E54 TO E55	TYPE 2	12"	9	0.77	0.50
E55	E53 TO E54	TYPE 2	12"	30	18.96	0.50
E56	E52 TO E53	TYPE 1	12"	32	12.26	0.50
E57	E55 TO E59	TYPE 2	15"	197	---	0.40
E58	E59 TO E58	TYPE 2	12"	7	1.30	0.50
E59	E58 TO E57	TYPE 2	12"	30	20.40	0.50
E60	E57 TO E56	TYPE 1	12"	32	20.74	0.50
E61	E59 TO E63	TYPE 2	12"	197	---	0.50
E62	E63 TO E62	TYPE 2	12"	7	1.33	0.50
E63	E62 TO E61	TYPE 2	12"	30	20.88	0.50
E64	E61 TO E60	TYPE 1	12"	32	21.25	0.50
E60A	E56 TO E56A	TYPE 2	12"	10	---	0.50

* PIPE SEGMENTS E37 AND E38 SHALL BE CONSTRUCTED OF WATER MAIN QUALITY RUBBER GASKETED REINFORCED CONCRETE PIPE MEETING THE REQUIREMENTS OF ASTM C361



UNDERDRAIN DETAIL STRUCTURES E41 & E43

rjngroup
Excellence through Ownership
200 West Front Street
Wheaton, IL 60187

REVISIONS	
NAME	DATE

ILLINOIS DEPARTMENT OF TRANSPORTATION
KANE COUNTY DIVISION OF TRANSPORTATION
ORCHARD ROAD RECONSTRUCTION
ORCHARD ROAD DRAINAGE AND UTILITIES PLAN
STA. 175 + 50 TO STA. 190 + 47.48
SCALE: VERT. HORIZ. DATE: 11/04/05 DRAWN BY: RJN CHECKED BY: SPF

P:\B\2006 ID\29549 AM KAN\17700\GSA\Des\N17700_3PP_07.dgn