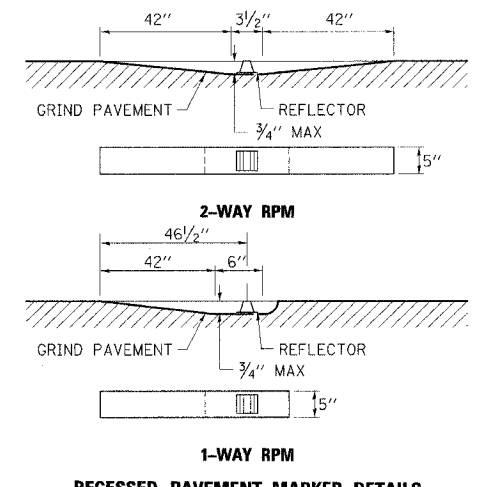
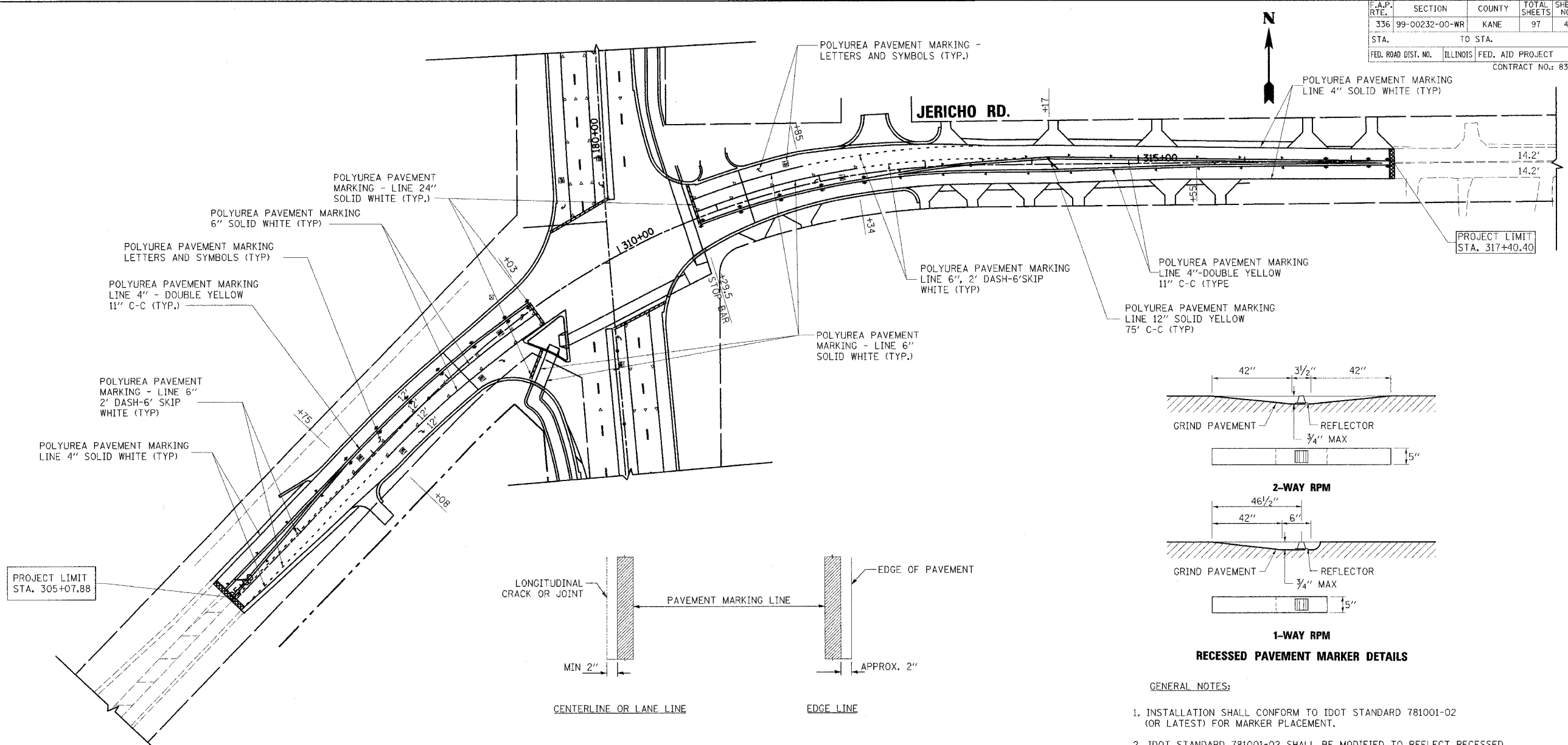
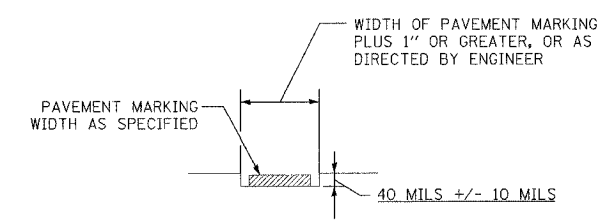
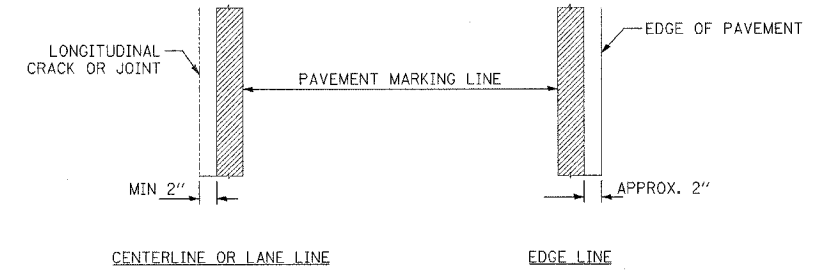


F.A.P. RTE.	SECTION	COUNTY	TOTAL SHEETS	SHEET NO.
336	99-00232-00-WR	KANE	97	47
STA.	TO STA.			
FED. ROAD DIST. NO.	ILLINOIS	FED. AID PROJECT		
CONTRACT NO.: 83738				



- GENERAL NOTES:**
1. INSTALLATION SHALL CONFORM TO IDOT STANDARD 781001-02 (OR LATEST) FOR MARKER PLACEMENT.
 2. IDOT STANDARD 781001-02 SHALL BE MODIFIED TO REFLECT RECESSED PAVEMENT MARKERS INSTEAD OF RAISED PAVEMENT MARKERS.
- INSTALLATION NOTES:**
1. SAW CUT TO DIMENSIONS SHOWN.
 2. SAW CUT AREAS TO BE DRY AND FREE OF MATERIAL THAT ADVERSELY AFFECTS THE ADHESIVE BOND.
 3. INSTALL THE REFLECTOR WITH AN APPROVED TWO-COMPONENT EPOXY ADHESIVE. EPOXY SHOULD NOT OBSCURE OR BLOCK THE LENS.
 4. INSTALL TOP OF REFLECTOR +/- 3/8" BELOW THE PAVEMENT SURFACE.
 5. REFLECTOR SHALL BE 3M SERIES 190 OR APPROVED EQUIVALENT.



- GENERAL NOTES:**
1. UNLESS OTHERWISE ALLOWED BY THE ENGINEER, WAIT 10 DAYS OR LONGER TO GRIND A GROOVE INTO NEW ASPHALT PAVEMENT TO AVOID DAMAGE TO THE NEW PAVEMENT BY THE GROOVING AND CLEANING OPERATION.
 2. PAVEMENT MARKINGS SHALL CONFORM WITH IDOT HIGHWAY STANDARD 780001-01 (OR LATEST) UNLESS OTHERWISE DIRECTED BY THE ENGINEER OR DETAILS ON THE SHEET.

NOTE: ALL PERMANENT SIGNS TO BE PROVIDED AND ERECTED BY THE COUNTY.

rjngroup
 Excellence through Ownership
 200 West Front Street
 Wheaton, IL 60187

REVISIONS	
NAME	DATE

ILLINOIS DEPARTMENT OF TRANSPORTATION
 KANE COUNTY DIVISION OF TRANSPORTATION
 ORCHARD ROAD RECONSTRUCTION
**PAVEMENT MARKING PLAN
 JERICHO ROAD**

SCALE: VERT. 1"=50'
 HORIZ. 1"=50'
 DATE: 11/04/05

DRAWN BY: RJN
 CHECKED BY: SPF

9/8/2006 10:38:34 AM k:\NITTD00\Code\Design\NITTD00_PavMark_04.dgn