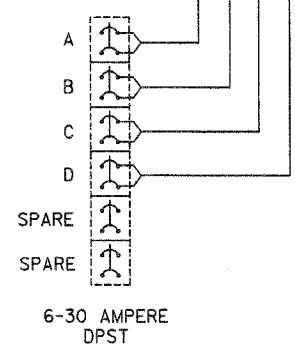
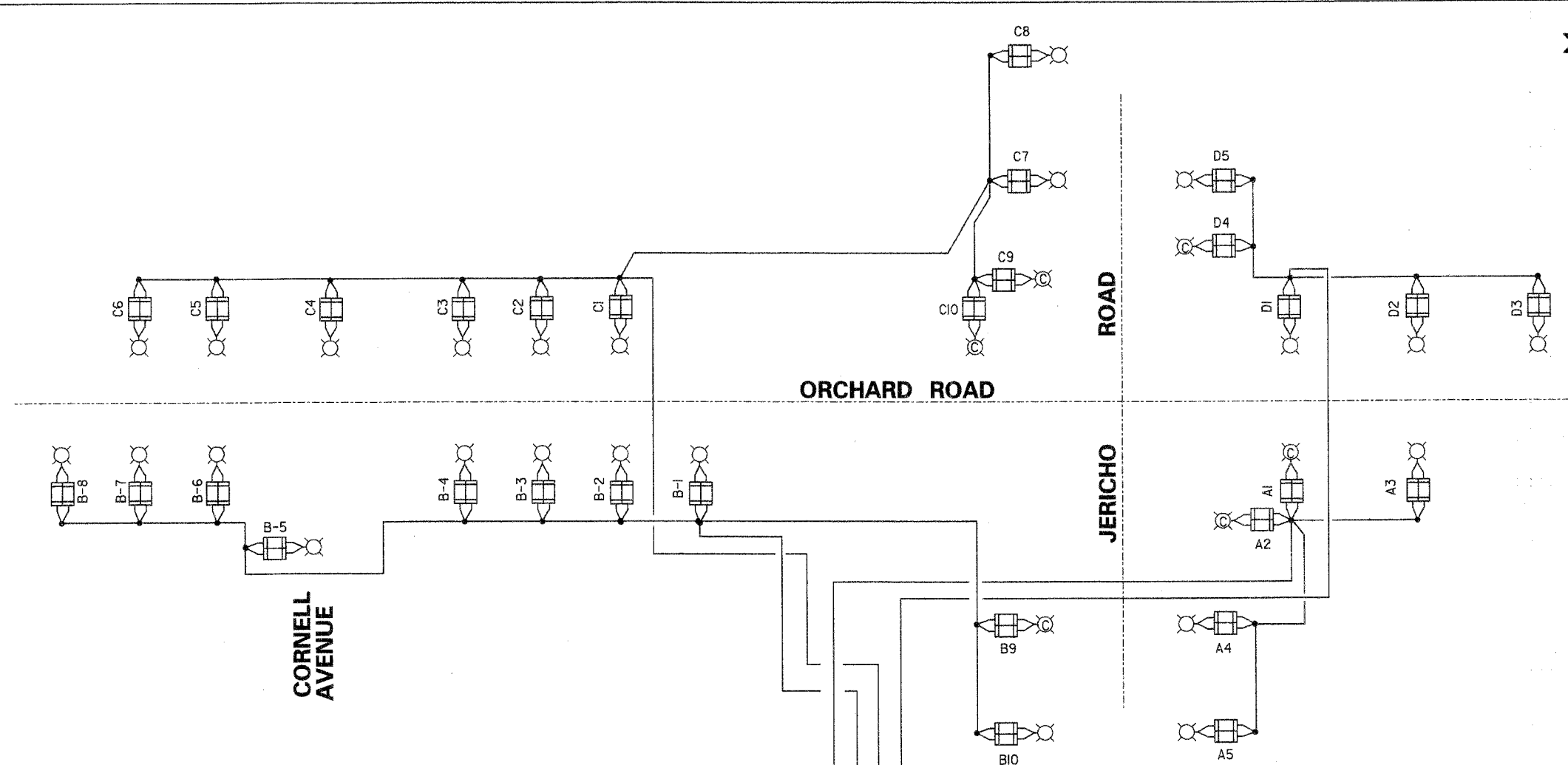
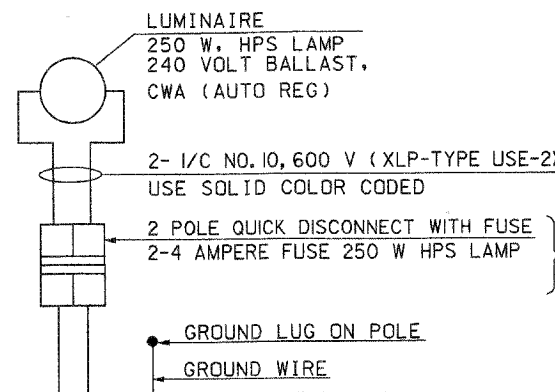


F.A.P. RTE.	SECTION	COUNTY	TOTAL SHEETS	SHEET NO.
336	99-00232-00-WR	KANE	97	60
STA.		TO STA.		
FED. ROAD DIST. NO.	ILLINOIS FED. AID PROJECT	CONTRACT No. 6513B		



CIRCUIT	AMPERE @ 240 VOLT	WATTS
A	6.5	1,560
B	13	3,120
C	13	3,120
D	6.5	1,560
TOTAL	39	9,360

- SINGLE LINE LEGEND**
- LUMINAIRE, 250W HPS
  - COMBINATION POLE LUMINAIRE, 250W HPS
  - FUSE, 2-4 FOR 250 W HPS LAMP
  - CIRCUIT BREAKER
  - 2 1/C #4 & 1/C #6 GND IN UNIT DUCT
  - CONNECTION



DEVICE SHALL ELECTRICALLY AND MECHANICALLY DISCONNECT BOTH LOAD PHASE CONDUCTORS SIMULTANEOUSLY

UNIT DUCT WITH 2-1/C NO. 4 AND 1/C NO.6 GROUND 600 V (XLP TYPE USE) 1" DIA. POLYETHYLENE

DATES \$TIMES \$FILES\$

**Sunjoy Inc. Area Lighting**  
 212 TIMBERCREST DRIVE  
 SCHALMBURG, ILLINOIS  
 60193-1572

**RJN GROUP**  
**RJN GROUP, INC.**  
 CONSULTING ENGINEERS  
 WHEATON, ILLINOIS

REVISIONS	
NAME	DATE
SUNJOY INC.	10-25-05

ILLINOIS DEPARTMENT OF TRANSPORTATION  
 KANE COUNTY DIVISION OF TRANSPORTATION  
 ORCHARD ROAD RECONSTRUCTION

**SINGLE LINE DIAGRAM**

SCALE: VERT. NONE  
 HORIZ. NONE  
 DATE 04-03-05

DRAWN BY  
 CHECKED BY