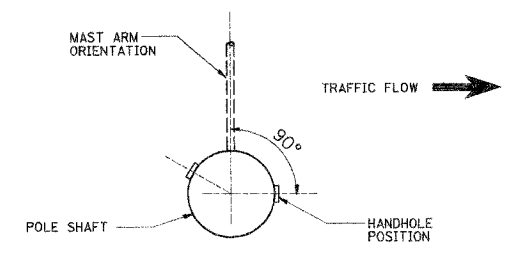
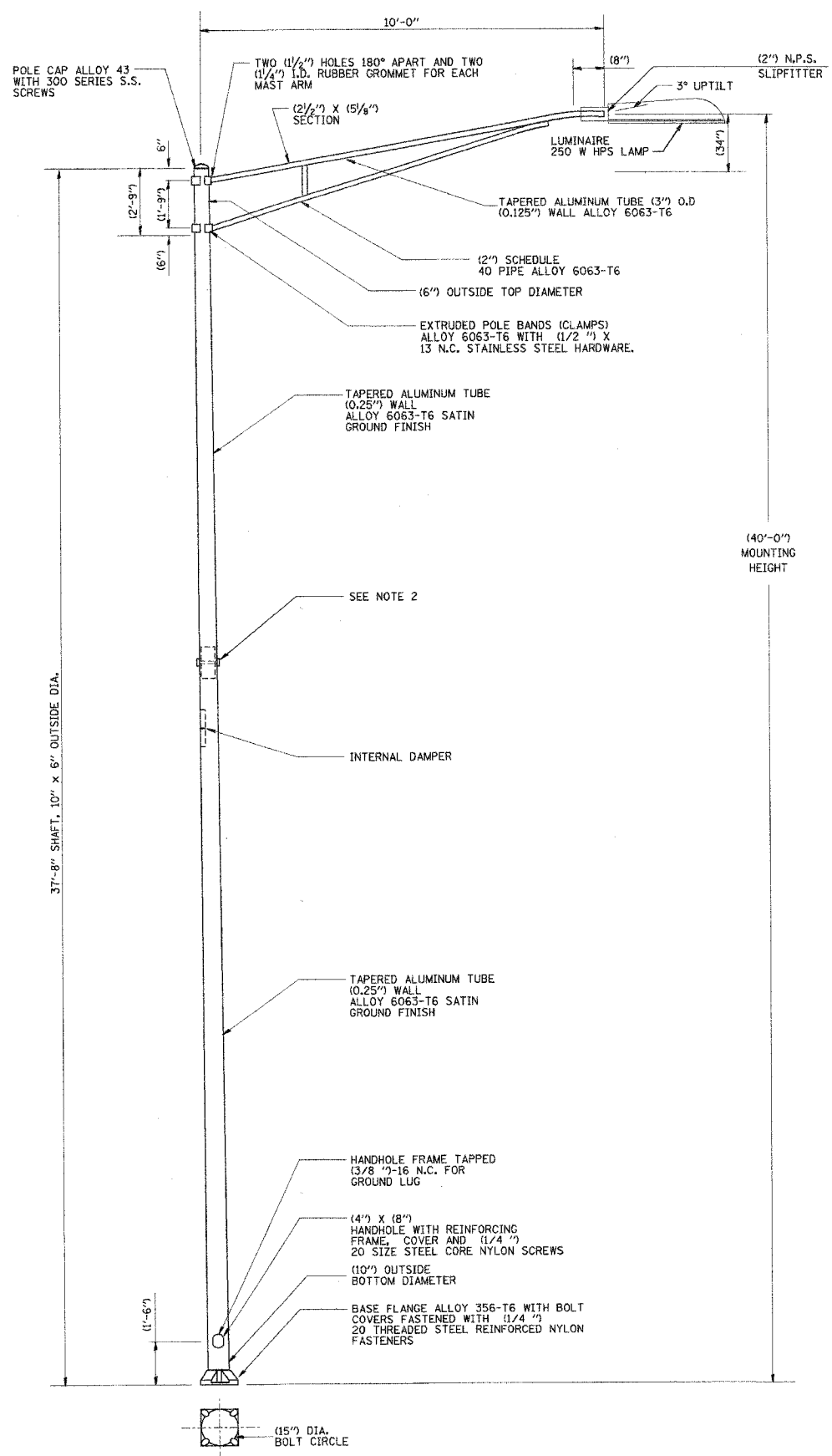
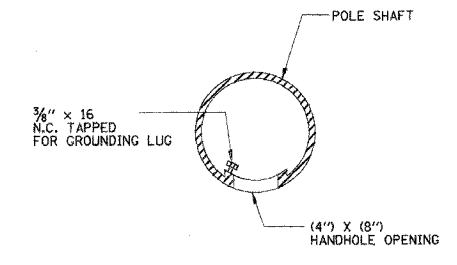


F.A.P. RTE.	SECTION	COUNTY	TOTAL SHEETS	SHEET NO.
336	99-00232-00-WR	KANE	97	67
STA.		TO STA.		
FED. ROAD DIST. NO.	ILLINOIS	FED. AID PROJECT		
CONTRACT NO. 6373B				



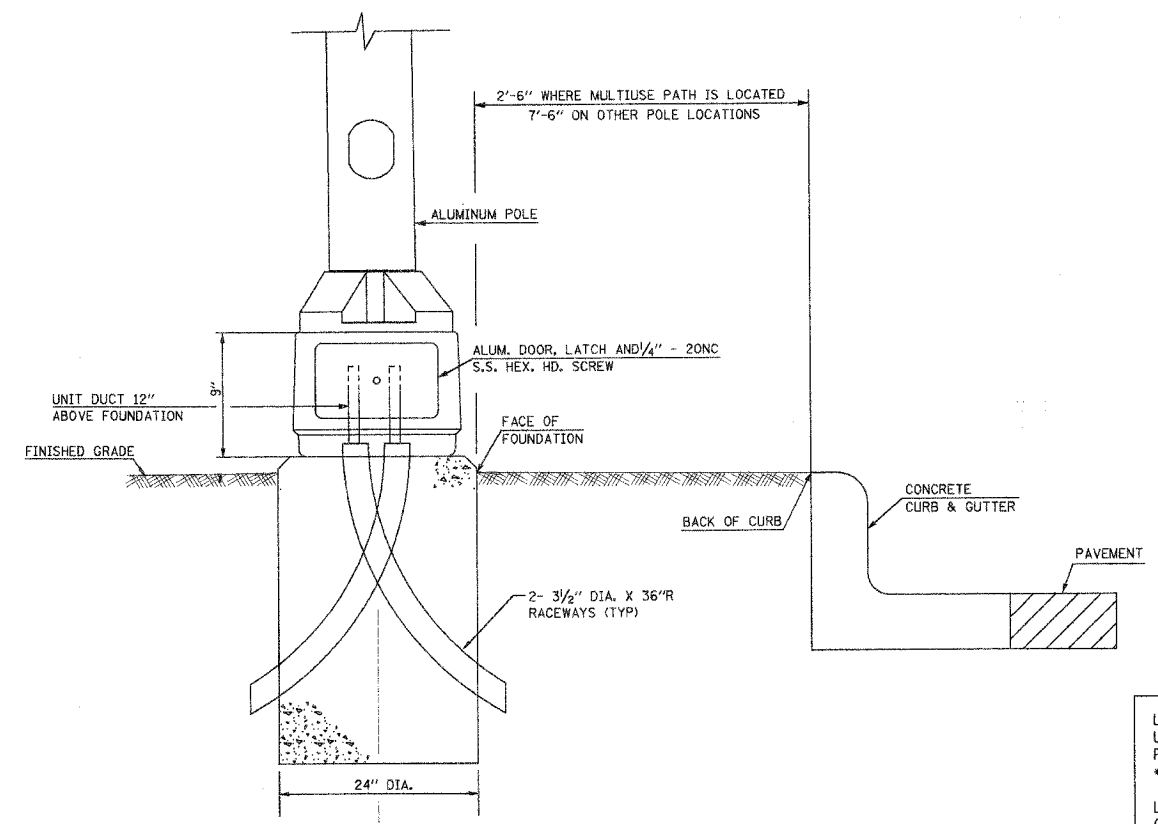
POSITION OF HANDHOLE IN RELATION TO TRAFFIC FLOW



HANDHOLE DETAIL (N.T.S.)

NOTES

- BOLT SLOTS SHALL BE (1/8") X (2/8") CENTERED ON BOLT CIRCLE.
- TWO PIECE SHAFT WILL BE MATCH MARKED AND INTERCHANGEABLE BETWEEN DIFFERENT UNITS. STUD BOLT WILL BE (5/8") DIA. WITH NUT, FLATWASHER, AND LOCK WASHER. THERE WILL BE NO THREADS ON THE BOLT INSIDE THE POLE SHAFT.
- LUMINAIRES ARE TO BE INSTALLED AS SOON AS POSSIBLE AFTER POLE ERECTION. THE POLE WILL NOT BE PAID FOR UNTIL THE LUMINAIRE IS INSTALLED.
- THE LIGHT POLE WILL MEET AASHTO DESIGN CRITERIA.
- THE DUCT SHALL EXTEND INTO POLE A MINIMUM OF (12") ABOVE THE BASE.



BREAKAWAY DEVICE, TRANSFORMER BASE
 COMPONENT PRODUCTS CAT. NO. TB-5-9. PAINTED IN BRONZE COLOR
 THE BREAKAWAY TRANSFORMER BASE SHALL HAVE A LISTING OF APPROVAL BY FHWA COMPLIANCE TO 1985 AASHTO REQUIREMENTS.

LIGHT POLE AND ARM
 UNION METAL CATALOG NUMBER
 P09-Y194 -0.250" - 10'-0" x 6'-0" x 8" / 10 FT - 0.125" - 3'-0" OD
 • PAINTED IN POWDER COATED DARK BRONZE COLOR FINISH

LUMINAIRE
 GENERAL ELECTRIC MDCL-25-S-0-A-1-1-F-M-C-III-1-X
 CATALOG NUMBER
 • BALLAST TAPED FOR 240 VOLT CIRCUIT
 • PAINTED IN POWER COATED DARK BRONZE COLOR FINISH

⊗ THE CONTRACTOR SHALL FURNISH COLOR CHIP TO THE OWNER FOR APPROVAL

Sunjoy Inc.
 Area Lighting
 212 TIMBERCREST DRIVE
 SCHAUMBURG, ILLINOIS
 60193-1572

RJN GROUP, INC.
 CONSULTING ENGINEERS
 WHEATON, ILLINOIS

REVISIONS	
NAME	DATE
SUNJOY INC.	10-25-05

ILLINOIS DEPARTMENT OF TRANSPORTATION
KANE COUNTY DIVISION OF TRANSPORTATION
ORCHARD ROAD RECONSTRUCTION
LIGHT POLE, ALUMINUM 40 FT MOUNTING HEIGHT
SINGLE ARM,
BREAKAWAY DEVICE, TRANSFORMER BASE

SCALE: VERT. DRAWN BY
 HORIZ. DATE 04-03-05 CHECKED BY