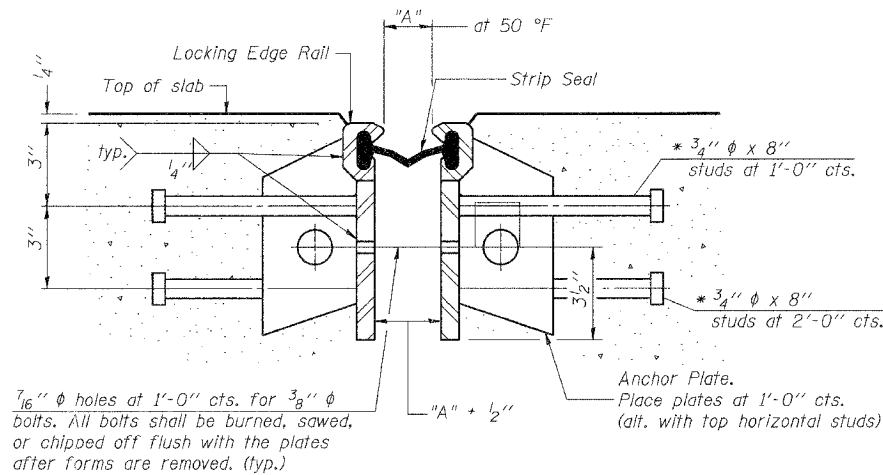


SECTION THRU ROLLED RAIL EXP. JOINT
(240 Studs Required)

Required Strip Seal rated movement	"A"
1"	1 1/8"
2"	1 3/4"

* Granular or solid flux filled headed studs conforming to Article 1006.32 of the Std. Specs., automatically end welded.



SECTION THRU WELDED RAIL EXP. JOINT
(240 Studs Required)
(160 Anchor Plates Required)

GENERAL NOTES

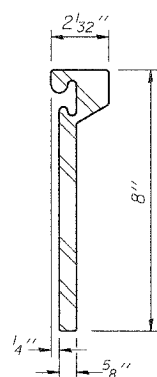
The strip seal shall be made continuous and shall have a minimum thickness of 1/4". The configuration of the strip seal shall match the configuration of the Locking Edge Rails.

The height and thickness of the Locking Edge Rails shown are minimum dimensions. The actual configuration of the Locking Edge Rails and matching strip seal may vary from manufacturer to manufacturer. Flanged edge rails will not be allowed.

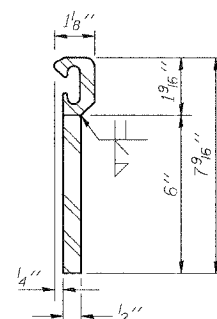
Locking Edge Rails may be spliced at slope discontinuities and stage construction joints.

The manufacturer's recommended installation methods shall be followed.

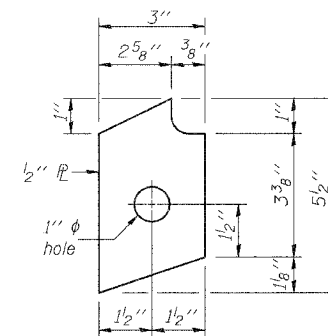
The joint opening and deck dimensions detailed on the superstructure are based on a preformed joint seal. If the contractor elects to use the alternate strip seal joint, the opening and deck dimensions shall be modified according to the dimensions detailed on this sheet. Required modifications shall be made at no additional cost to the State.



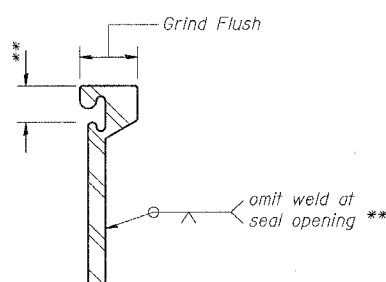
ROLLED (EXTRUDED) RAIL



WELDED RAIL



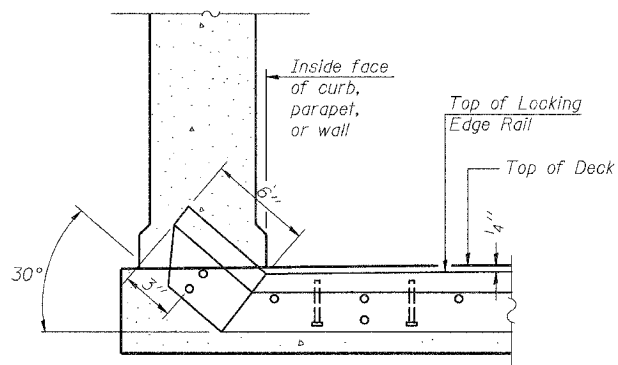
ANCHOR PLATE
(for welded rail)



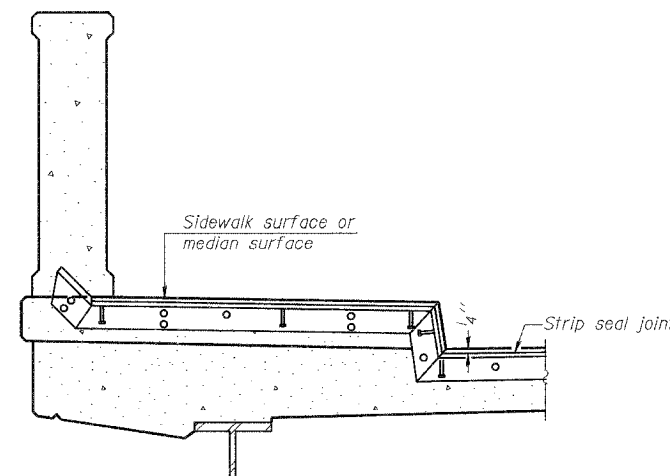
LOCKING EDGE RAIL SPLICE

The inside of the locking edge rail groove shall be free of weld residue.

LOCKING EDGE RAILS



AT CURB, PARAPET, OR WALL



AT SIDEWALK OR MEDIAN*

* Shorter plates with a single row of studs at 12" centers may be necessary on medians which are shallower than 9". See manufacturer's recommendation.

TYPICAL END TREATMENTS

(Sheet 2 of 2)
BRIDGE JOINT SYSTEM - EXPANSION
(ALTERNATE-STRIP SEAL)

Giorba Group, Inc.
CONSULTING ENGINEERS
5507 NORTH CUMBERLAND AVENUE :: CHICAGO, ILLINOIS 60656 :: (773) 775-4009

VILLAGE OF WINNETKA, ILLINOIS
BRIDGE JOINT SYSTEM-EXPANSION (ALTERNATE)
PINE STREET OVER THE UNION PACIFIC R.R.
R.R. MILE POST 16.89 KENOSHA SUBDIVISION
COOK COUNTY STA. 101+09.96
STRUCTURE NO. 016-8259

SCALE: NONE DRAWN BY: RCD
DATE: MARCH 2006 DESIGN BY: BWS
FILE: 3278 CHECKED BY: SCD

REVISIONS	
NAME	DATE