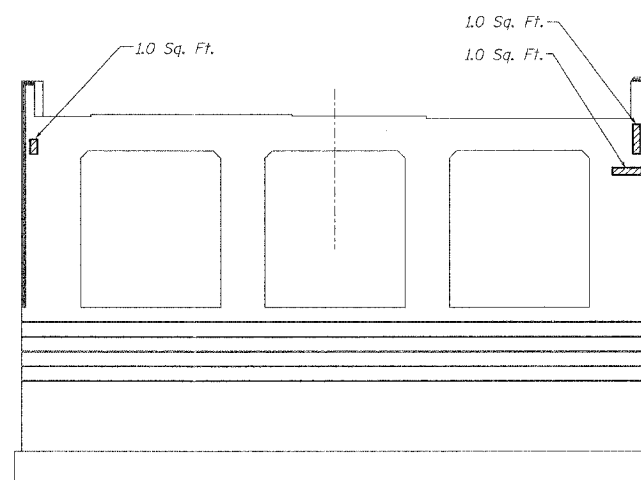
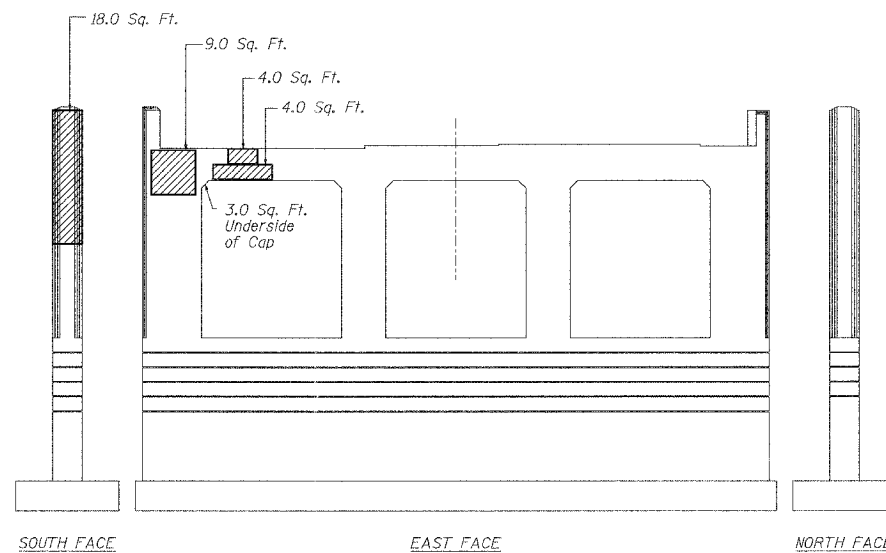
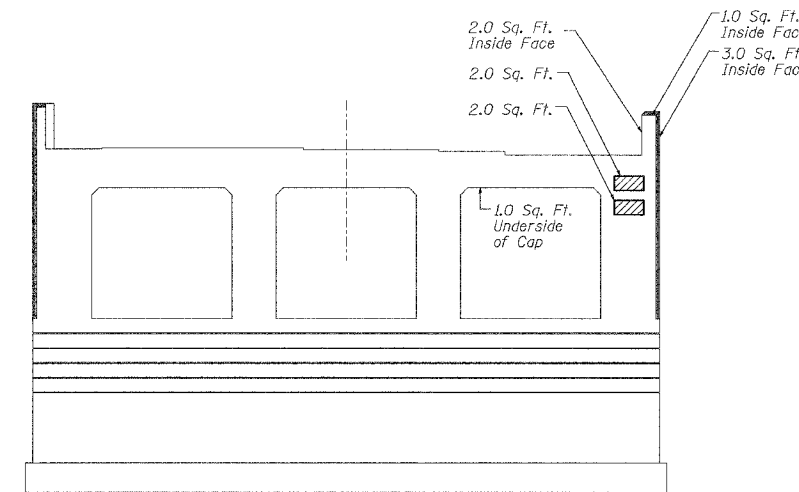
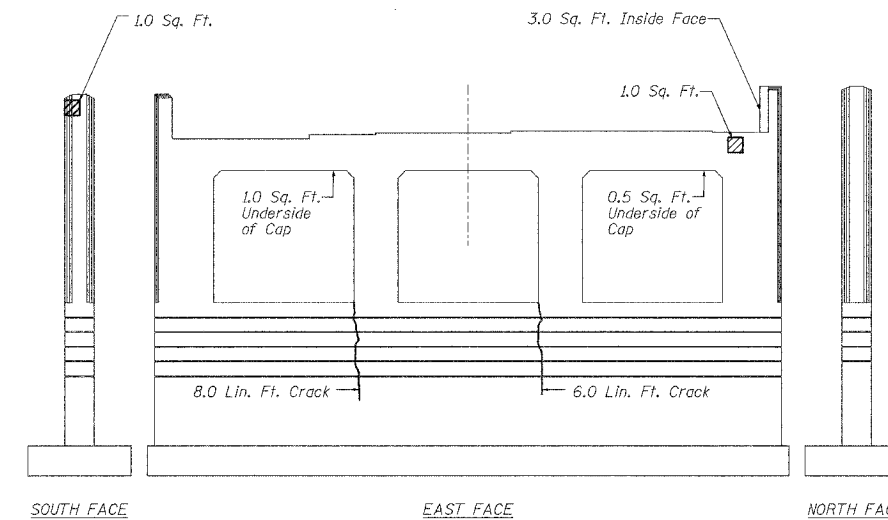


**WEST PIER**



**CENTER PIER**



**EAST PIER**

**Note:**

Repair of the existing piers shall include but not be limited to the areas shown. The actual areas to be repaired will be determined by the engineer at the time of construction.

**LEGEND**

- Formed Concrete Repair (Depth < 5")
- Epoxy Crack Sealing

**BILL OF MATERIALS**

Formed Concrete Repair < 5" Sq. Ft.	94.5
Epoxy Crack Sealing Ft.	43

REVISIONS	
NAME	DATE

**Ciorba Group, Inc.**  
CONSULTING ENGINEERS  
5507 NORTH CUMBERLAND AVENUE :: CHICAGO, ILLINOIS 60656 :: (773) 775-4009

VILLAGE OF WINNETKA, ILLINOIS  
PIER REPAIRS  
PINE STREET OVER THE UNION PACIFIC R.R.  
R.R. MILE POST 16.89 KENOSHA SUBDIVISION  
COOK COUNTY STA. 101+09.96  
STRUCTURE NO. 016-8259

SCALE: NONE  
DATE: MARCH 2006  
FILE: 3278

DRAWN BY: RCD  
DESIGN BY: BWS  
CHECKED BY: SCD

DATE: 9/9/2006  
FILENAME: n:\proj\3278\pine\design\structural\_pine\_3278\cad\final\_plan\3278\_pine\_pier01.dgn