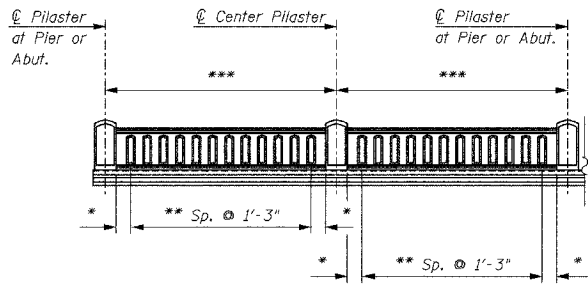
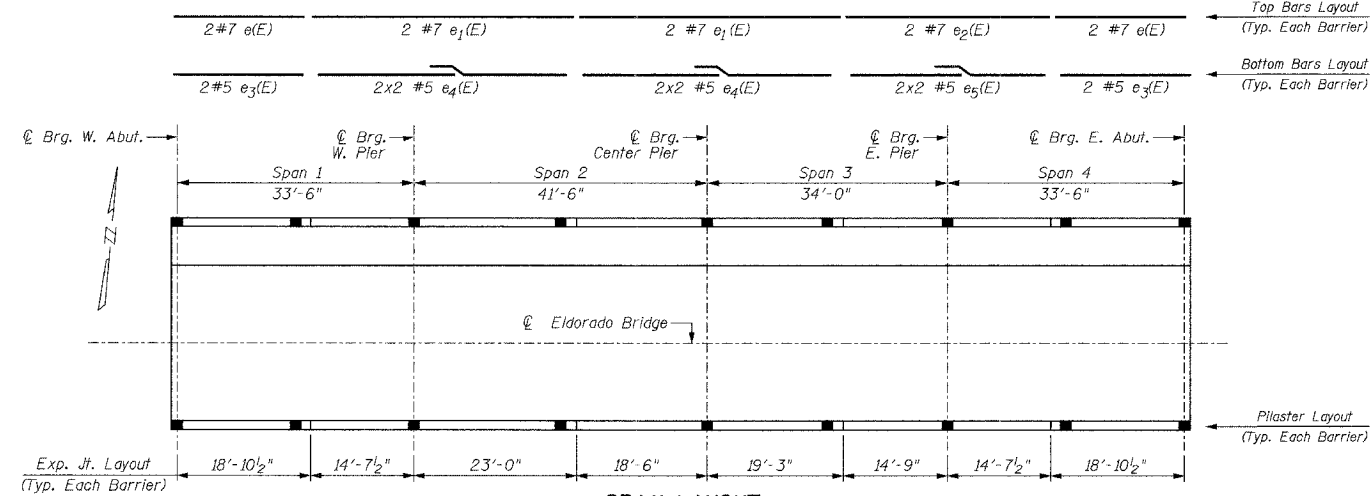


F.A. RTE.	SECTION	COUNTY	TOTAL SHEETS	SHEET NO.
00-00094-03-BR	COOK	69	50	
STA.	TO STA.			
FED. ROAD DIST. NO. 1	ILLINOIS	FED. AID PROJECT		
Sheet SB-8 of SB-22	CONTRACT		83850	

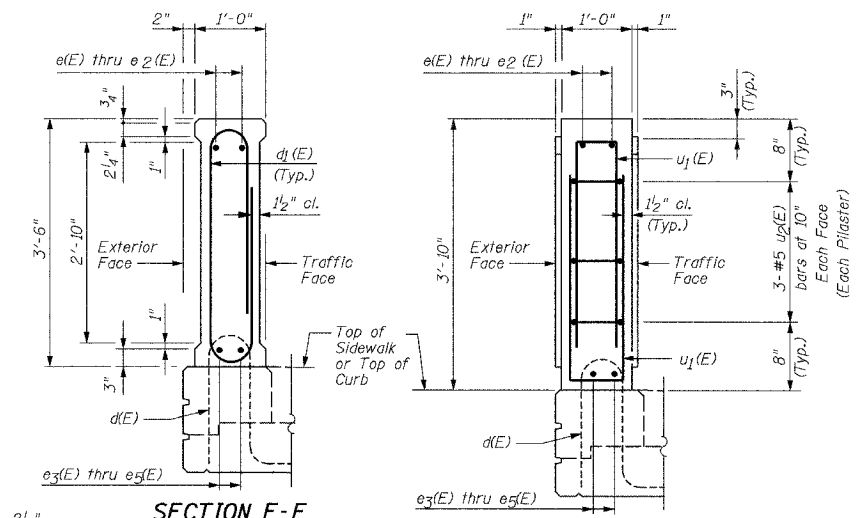
	*	**	***
Span 1 & 4	1'-4 1/2"	10	16'-9"
Span 2	1'-6"	13	20'-9"
Span 3	1'-6"	10	17'-0"



CONCRETE BARRIER WALL
(TYPICAL SPAN LAYOUT)

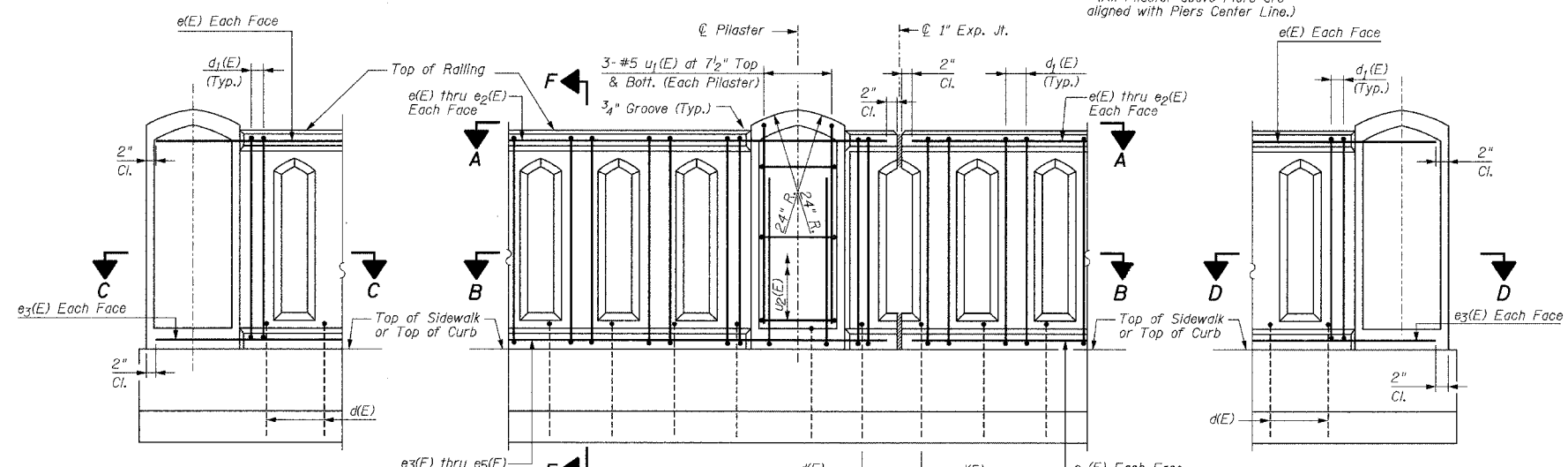


SPAN LAYOUT
(All Pilaster above Piers are aligned with Piers Center Line.)



SECTION F-F (TYP. POSTS)

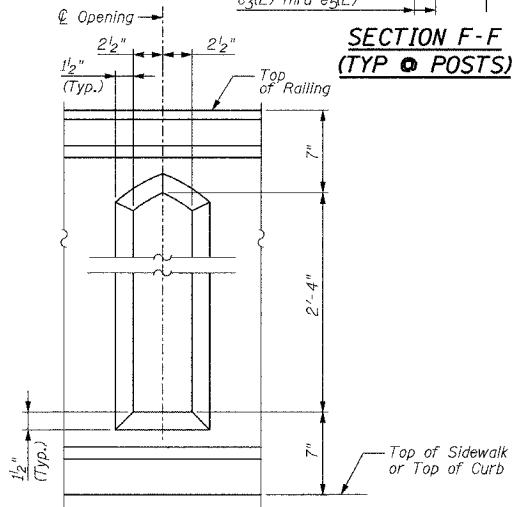
SECTION E-E (TYP. PILASTER)



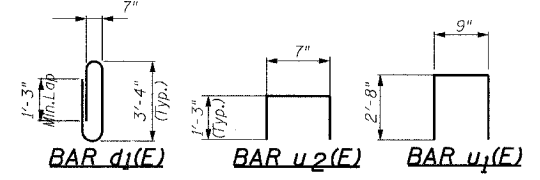
WEST END PILASTER ELEVATION
(Typ. of Span 1)

PARTIAL ELEVATION AT CENTER PILASTER
For Expansion Joint Location see span layout

EAST END PILASTER ELEVATION
(Typ. of Span 4)
Note: Traffic Face Elevations

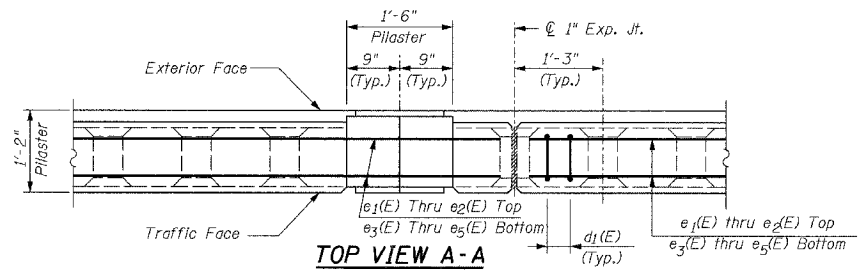


OPENING DETAIL

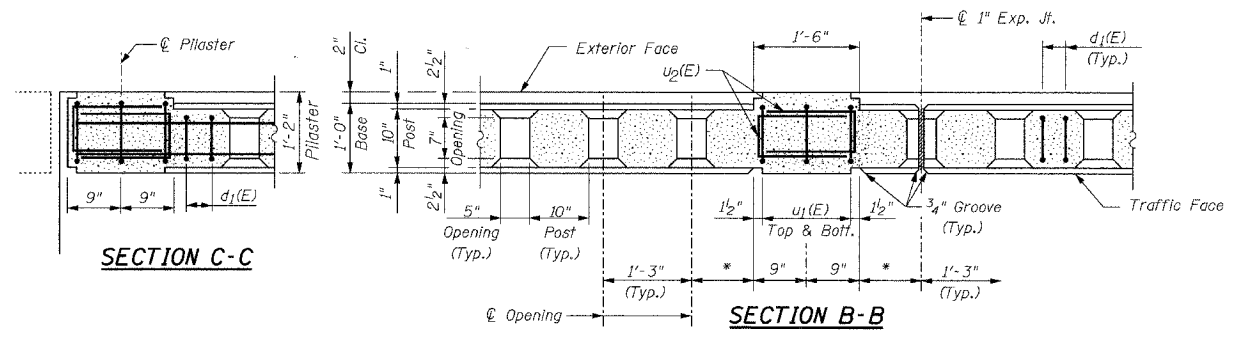


Bar	No.	Size	Length	Shape
d ₁ (E)	376	#5	9'-1"	
e(E)	8	#7	18'-6"	
e ₁ (E)	8	#7	37'-3"	
e ₂ (E)	4	#7	29'-0"	
e ₃ (E)	8	#5	18'-6"	
e ₄ (E)	16	#5	19'-4"	
e ₅ (E)	8	#5	15'-8"	
u ₁ (E)	216	#5	6'-1"	
u ₂ (E)	216	#5	3'-1"	
Reinforcement Bars, Epoxy Coated		Pound	7,384	
Concrete Barrier Wall (Special)		Cu. Yd.	27.0	

Reinforcement bars designated (E) shall be epoxy coated.
Bars indicated thus 1x2-#5 etc. indicates 1 line of bars with 2 lengths per line.
Reinforcement bars shall not pass thru the expansion joints.
See Concrete Barrier Wall (Special) Special Provisions.

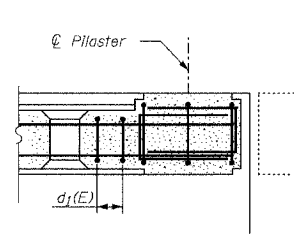


TOP VIEW A-A

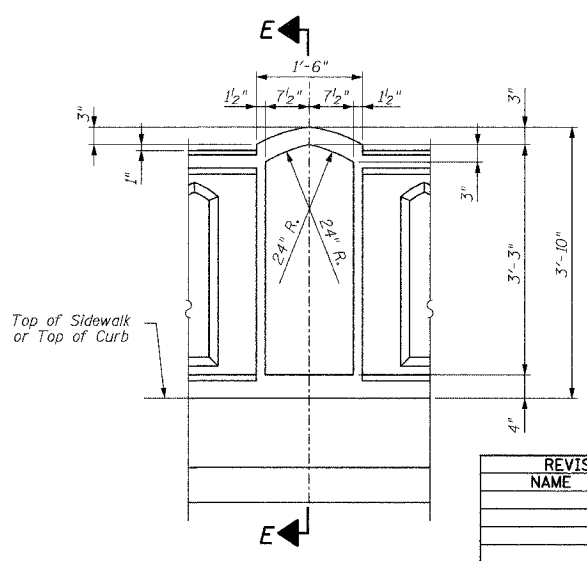


SECTION C-C

SECTION B-B



SECTION D-D



FACE OF PILASTER DETAIL

REVISIONS	
NAME	DATE

Clorba Group, Inc.
CONSULTING ENGINEERS
5007 NORTH CUMBERLAND AVENUE - CHICAGO, ILLINOIS 60656 - (773) 775-4000

VILLAGE OF WINNETKA, ILLINOIS
CONCRETE BARRIER DETAILS
ELDORADO STREET OVER THE UNION PACIFIC R.R.
R.R. MILE POST 17.26 KENOSHA SUBDIVISION
COOK COUNTY STA. 201+07.21
STRUCTURE NO. 016-8260

SCALE: NONE
DATE: JUNE 2006
FILE: 3278

DRAWN BY: RCD
DESIGN BY: BWS
CHECKED BY: SCB

DATE: 7/20/2006
FILENAME: N:\PROJ\3278\Eldorado\Design\Structural\Eldorado_3278\CAD\Final_revised\3278-eldo-char01.dgn