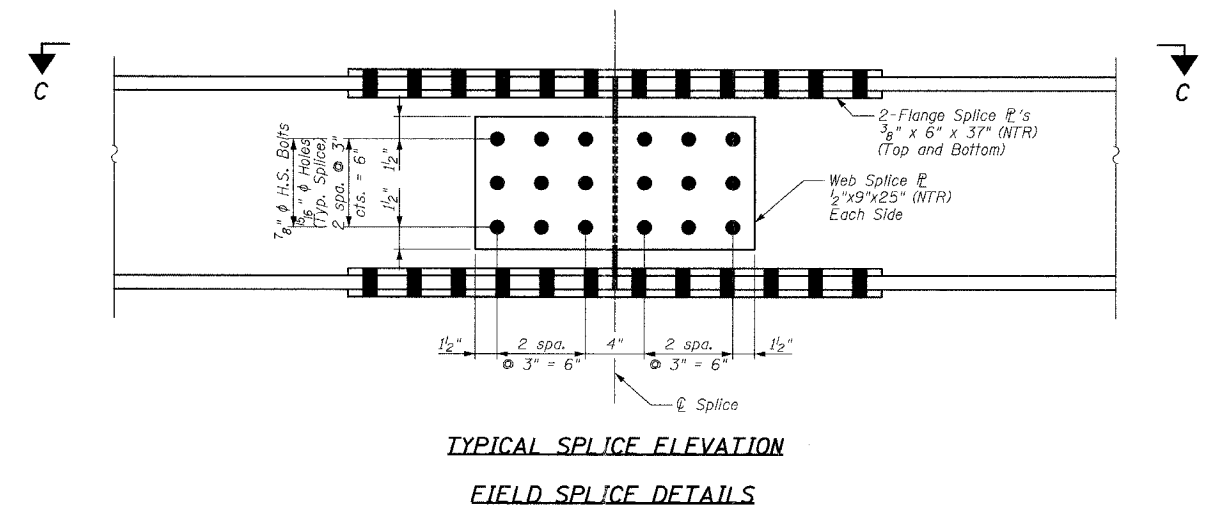
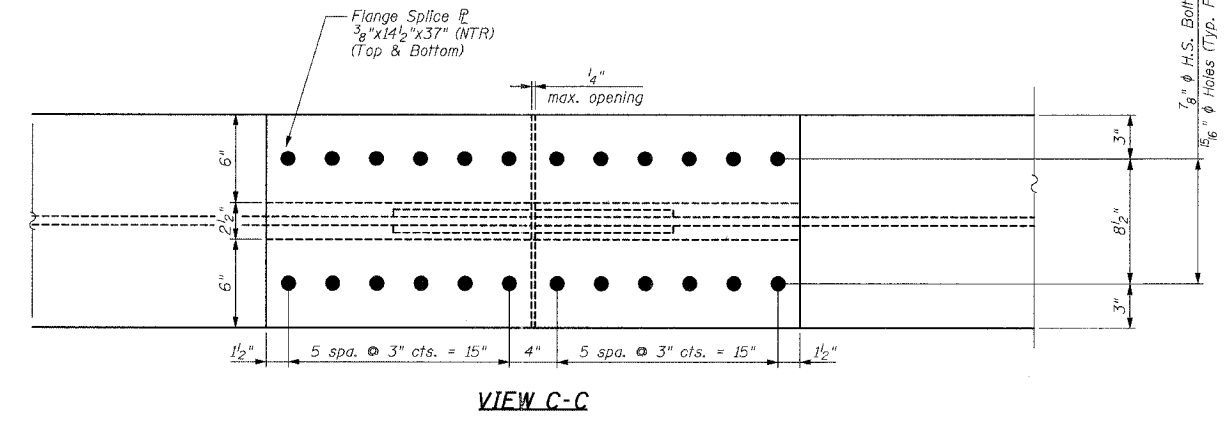
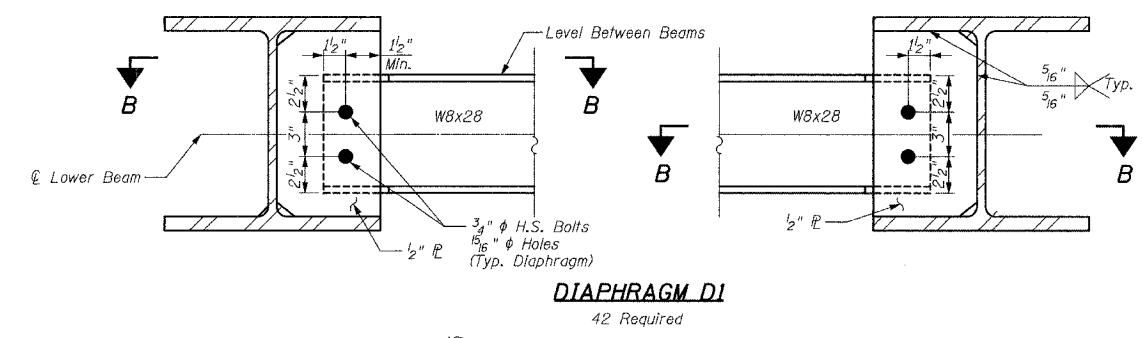
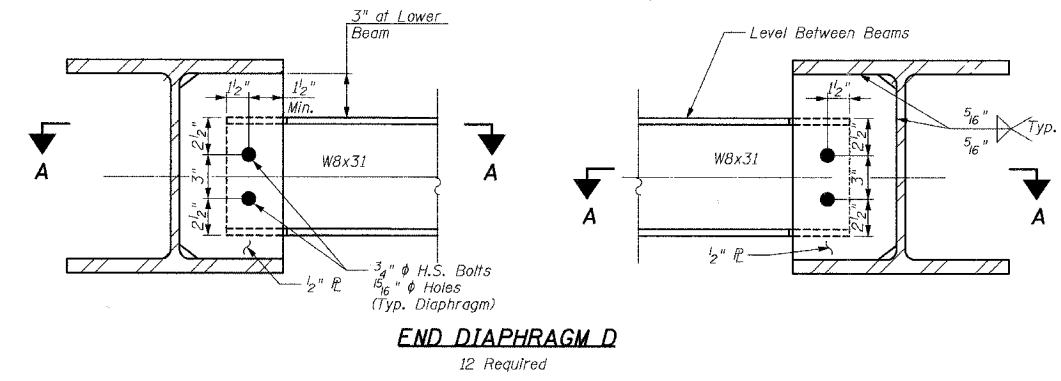
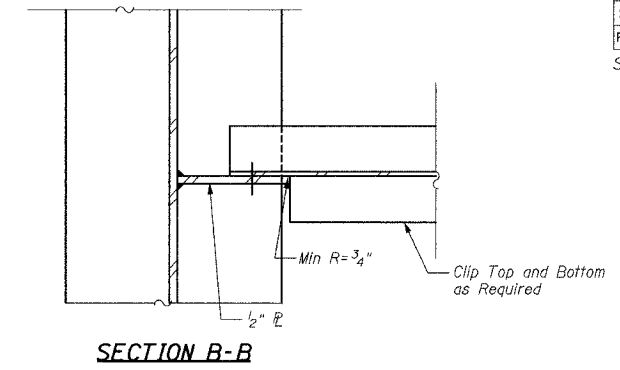
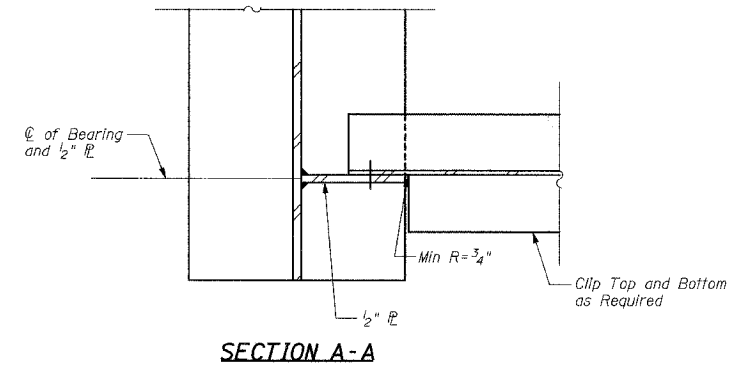


F.A. RTE.	SECTION	COUNTY	TOTAL SHEETS	SHEET NO.
	00-00094-03-BR	COOK	69	52
STA.		TO STA.		
FED. ROAD DIST. NO. 1		ILLINOIS FED. AID PROJECT		
Sheet SB-10 of SB-22		CONTRACT 83850		



- NOTES**
1. For splice and diaphragm locations see sheet SB-9.
  2. All splice plates shall be AASHTO M270 Grade 36.
  3. (NTR) denotes plates to which notch toughness requirements are applicable.
  4. Use 7/8" M 164 H.S. bolts and 5/16" holes on all beam splices.
  5. Use 3/4" M164 H.S. bolts and 5/16" holes on all diaphragm connections.

REVISIONS	
NAME	DATE

**Clorba Group, Inc.**  
CONSULTING ENGINEERS  
3807 NORTH CUMBERLAND AVENUE - CHICAGO, ILLINOIS 60664 - (773) 775-6900

VILLAGE OF WINNETKA, ILLINOIS  
DIAPHRAGM & SPLICE DETAILS  
ELDORADO STREET OVER THE UNION PACIFIC R.R.  
R.R. MILE POST 17.26 KENOSHA SUBDIVISION  
COOK COUNTY STA. 201+07.21  
STRUCTURE NO. 016-8260

SCALE: NONE  
DATE: JUNE 2006  
FILE: 3278

DRAWN BY: RCD  
DESIGN BY: BWS  
CHECKED BY: SCD

DATE: 7/20/2006  
FILENAME: N:\PROJ\3278\ELdorado\Design\Structural\_Eldorado\_3278\CAD\Final\_revised\3278-eldo-stdet.dgn