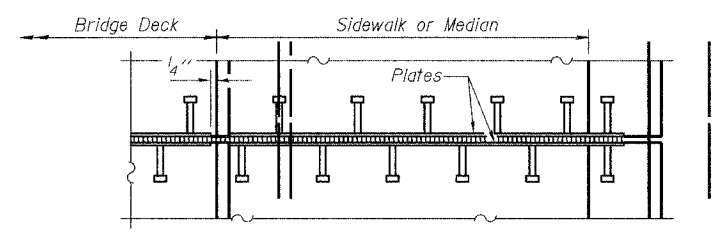


SECTION THRU EXPANSION JOINT
(2 1/2" joint seals)

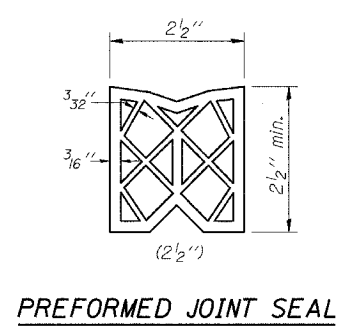
Bridge Joint System (Expansion)		
Design Movement	Required Preformed Joint Seal Size	Required Strip Seal Rated movement
1"	2 1/2"	1"

GENERAL NOTES

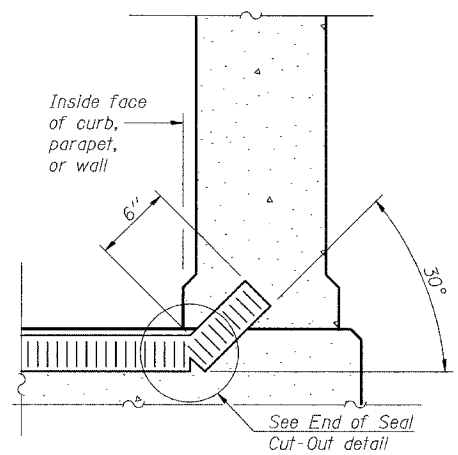
Furnish steel plates in segments of 20 feet maximum length. Maximum space between installed segments shall be 3/16". Seal space with silicone sealant suitable for structural steel.



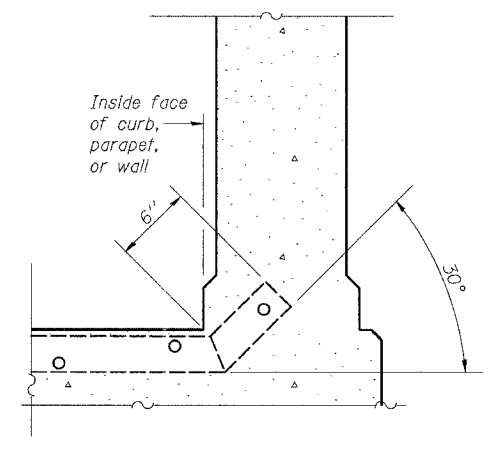
PLAN AT SIDEWALK OR MEDIAN



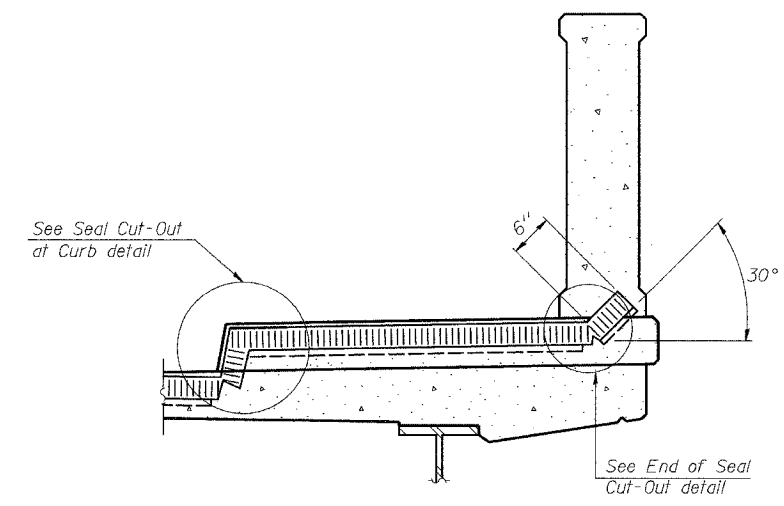
PREFORMED JOINT SEAL



AT CURB, PARAPET, OR WALL
(Showing seal)



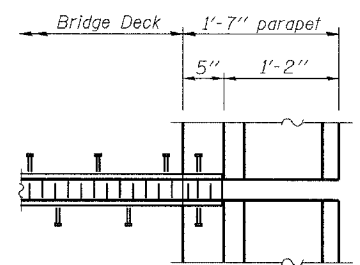
AT CURB, PARAPET, OR WALL
(Showing plate)



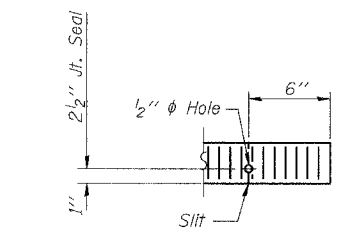
AT SIDEWALK OR MEDIAN*
(Showing plate and seal)

* Shorter plates with a single row of studs at 12" centers may be necessary on medians which are shallower than 9". See manufacturer's recommendation.

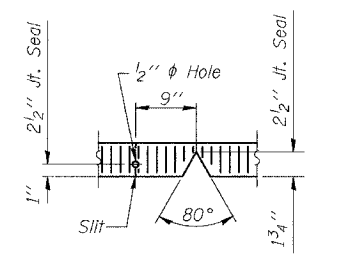
TYPICAL END TREATMENTS



PLAN AT PARAPET



END OF SEAL CUT-OUT



SEAL CUT-OUT AT CURB

BILL OF MATERIAL

Item	Unit	Total
Bridge Joint System (Expansion)	Foot	59.0'

(Sheet 1 of 2)

BRIDGE JOINT SYSTEM - EXPANSION (PREFORMED JOINT SEAL)



VILLAGE OF WINNETKA, ILLINOIS
BRIDGE JOINT SYSTEM-EXPANSION
ELDORADO STREET OVER THE UNION PACIFIC R.R.
R.R. MILE POST 17.26 KENOSHA SUBDIVISION
COOK COUNTY STA. 201+07.21
STRUCTURE NO. 016-8260

REVISIONS	
NAME	DATE

SCALE: NONE
DATE: JUNE 2006
FILE: 3278
DRAWN BY: RCD
DESIGN BY: BWS
CHECKED BY: SCD

DATE: 7/20/2006 FILENAME: N:\PROJ\3278\Eldorado\Design\Structural\Eldorado_3278\CAD\Final_revised\3278-eldo-bjse01.dgn