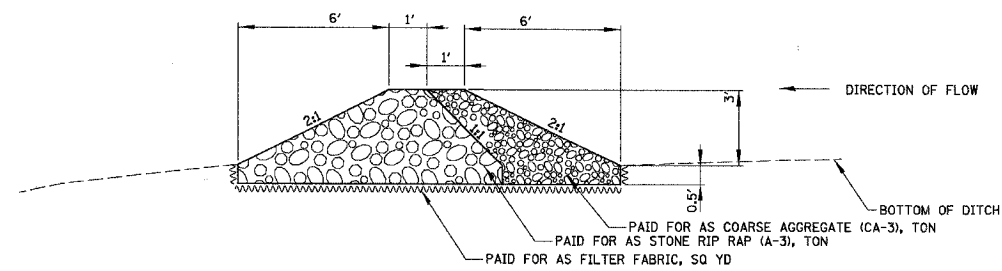
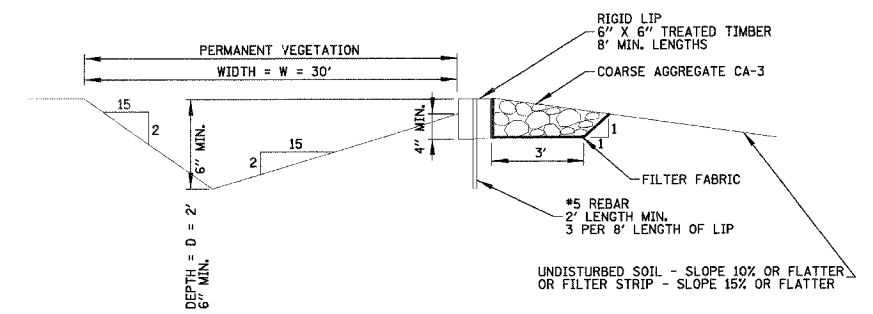


CONTRACT NO. 83862

F.A.P. RTE.	SECTION	COUNTY	TOTAL SHEETS	SHEET NO.
361	06-00214-03-BR	KANE	52	40
STA.		TO STA.		
FED. ROAD DIST. NO. 1 ILLINOIS FED. AID PROJECT				



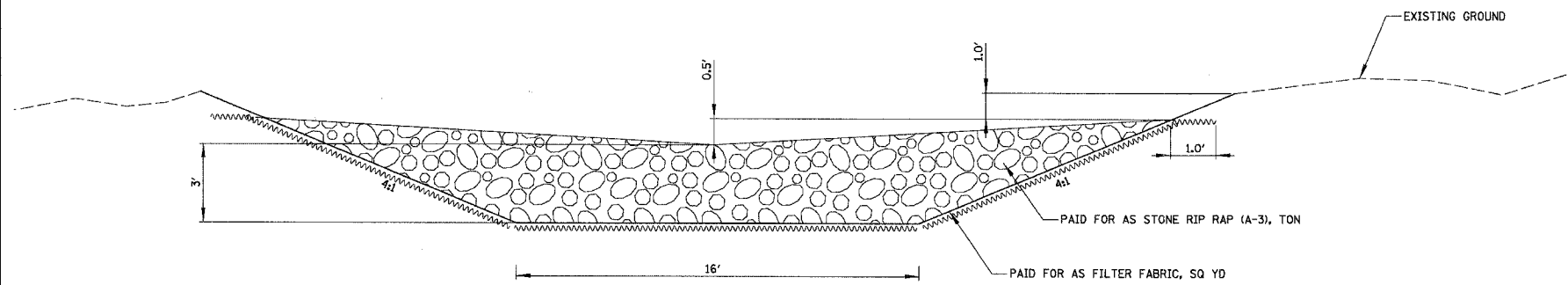
PROFILE



RIGID LIP WITH TIMBER

LEVEL SPREADER

THE WORK SHALL BE PAID FOR AT THE CONTRACT UNIT PRICE EACH FOR LEVEL SPREADER, WHICH PRICE SHALL BE PAYMENT IN FULL FOR ALL MATERIAL, LABOR AND ANY OTHER ITEMS REQUIRED TO COMPLETE WORK.



SECTION
ROCK CHECK DAM

CHRISTOPHER B. BURKE ENGINEERING, LTD.
9575 W. Higgins Road, Suite 600
Rosemont, Illinois 60018
(847) 822-0500



PLOT DATE = 9/13/2006
FILE NAME = N:\vmecon\proj\0470RD\CG.v1\0171.LIDET
USER NAME = RUSER8

REVISIONS		ILLINOIS DEPARTMENT OF TRANSPORTATION
NAME	DATE	
		CONSTRUCTION DETAILS

SCALE: VERT. NOT TO SCALE
HORIZ. DATE 9/13/2006
DRAWN BY RCB
CHECKED BY MEK