

F.A.P. NO.	SECTION	COUNTY	TOTAL SHEETS	SHEET NO.
361	06-00214-03-BR	KANE	52	41
STA.		TO STA.		
FED. ROAD DIST. NO. 1 ILLINOIS FED. AID PROJECT				

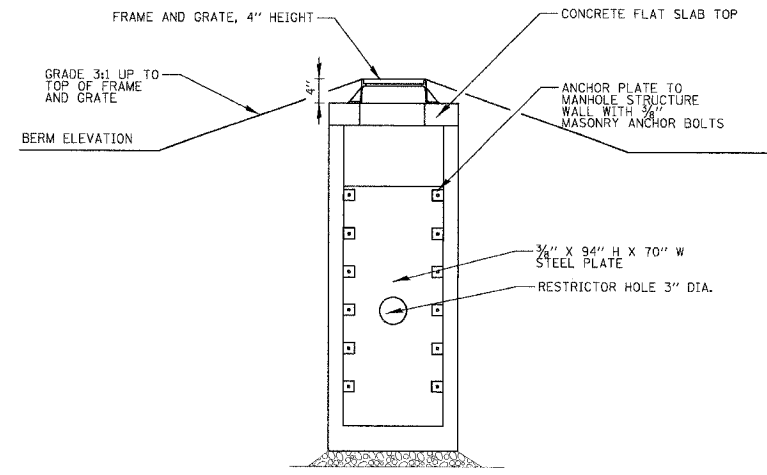
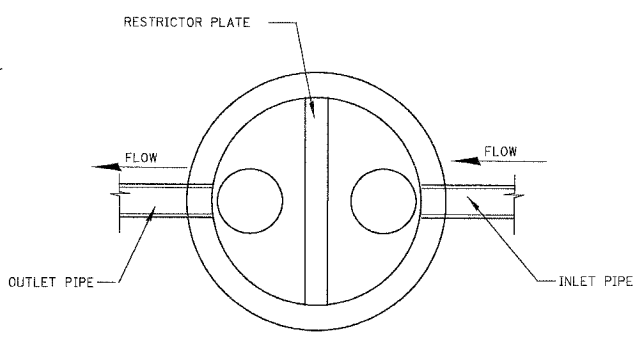
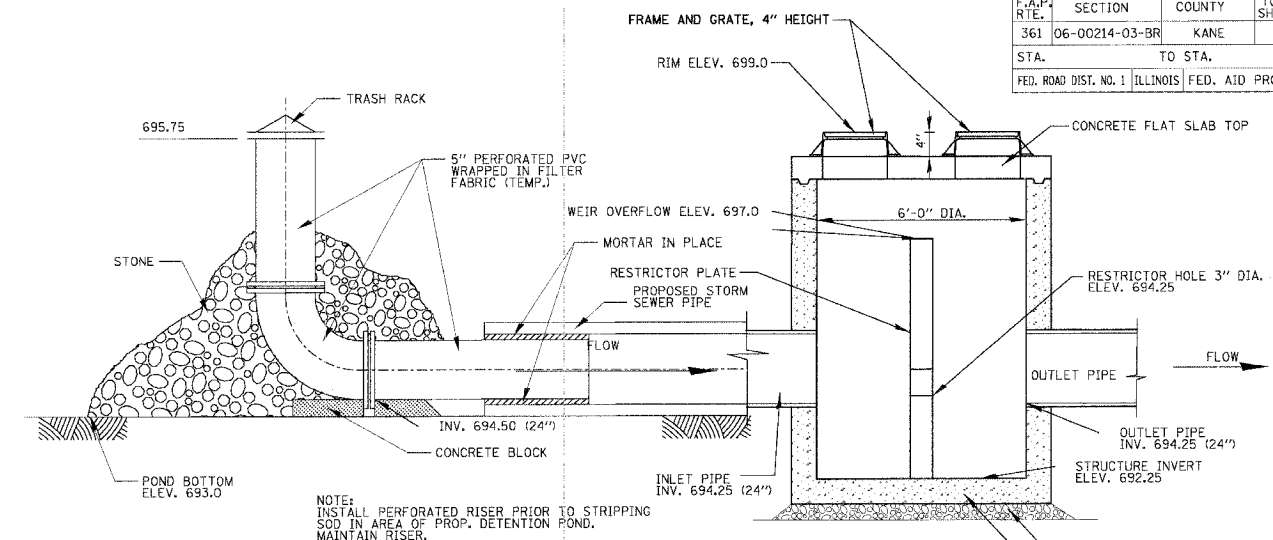


PLATE ELEVATION VIEW



PLAN VIEW
(SHOWING PIPE AND RESTRICTOR ORIENTATION)



RISER DETAIL

SECTION

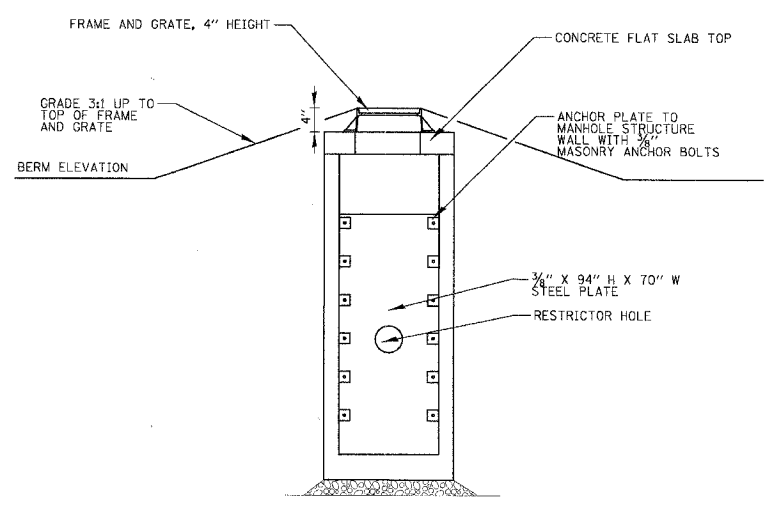
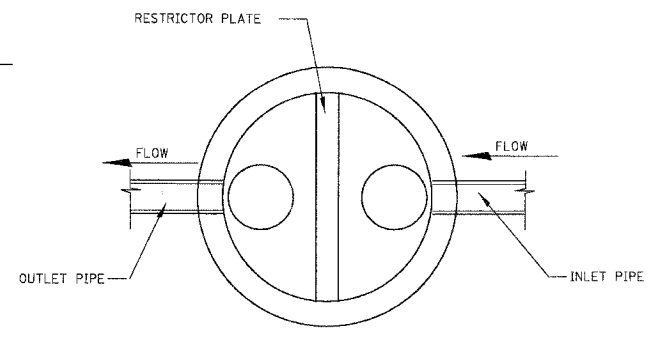
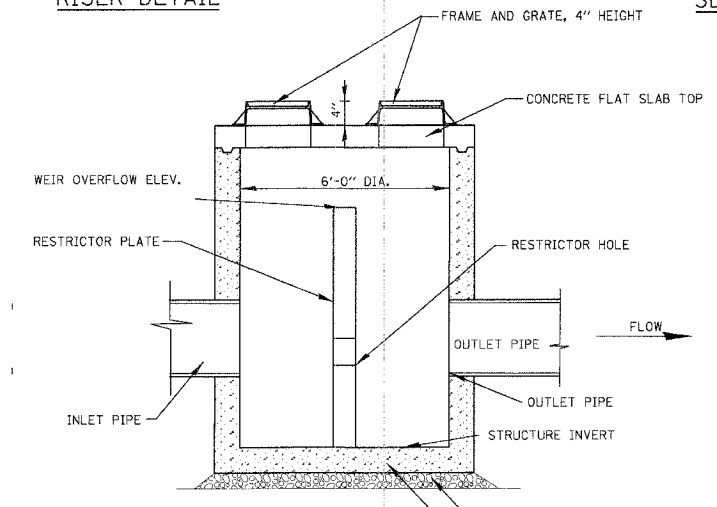


PLATE ELEVATION VIEW



PLAN VIEW
(SHOWING PIPE AND RESTRICTOR ORIENTATION)



SECTION

CONTROL STRUCTURE 6

CONTROL STRUCTURE 2-5 TYPICAL

STATION	STRUCT. NO.	CONTROL STRUCT. NO.	OFFSET (FT)	LT/RT	RIM ELEV (FT)	RESTRICTOR DIA. (IN)	RESTRICTOR INVERT ELEV (FT)	INLET INVERT ELEV (FT)	OUTLET INVERT ELEV (FT)	STRUCTURE INVERT (FT)	WEIR OVERFLOW ELEV. (FT)	INLET PIPE DIA (IN)	OUTLET PIPE DIA (IN)
606+41.90	1*	S315	109.91	LT	720	20	718.0	718.00 E	716.00 W	716.00	720.5	48	48
602+66.65	2	S308	171.33	LT	720	6.25	710.0	710.00 E	704.15 W	702.15	717.0	42	42
598+67.37	3	S305	112.17	LT	709	7	701.75	701.75 E	701.75 W	699.75	707.0	42	42
577+48.59	4	S102	156.38	RT	695	5	689.7	689.48 NE	689.48 SW	687.48	693.0	24	24
104+93.56	5	S404	133.09	LT	715	3	709.0	709.0 NE	707.25 SW	705.25	713.0	24	24
593+47.06	6	S226	159.00	RT	699	3	694.25	694.25 NE	694.25 SW	692.25	697.0	24	24

* NOTE: THIS STRUCTURE IS AN END SECTION. SEE END SECTION DETAIL SHEET

REVISIONS		ILLINOIS DEPARTMENT OF TRANSPORTATION
NAME	DATE	
		<p>RESTRICTOR DETAIL</p> <p>SCALE: VERT. _____ HORIZ. _____</p> <p>DATE: 9/13/2006</p> <p>DRAWN BY _____ CHECKED BY _____</p>

CHRISTOPHER B. BURKE ENGINEERING, LTD.
9575 W. Higgins Road, Suite 600
Rosemont, Illinois 60018
(847) 823-0500



PLT DATE = 9/13/2006
FILE NAME = N:\kenneth\1147\GRID\Civil\01171_res01.dwg
USER NAME = BURKEB