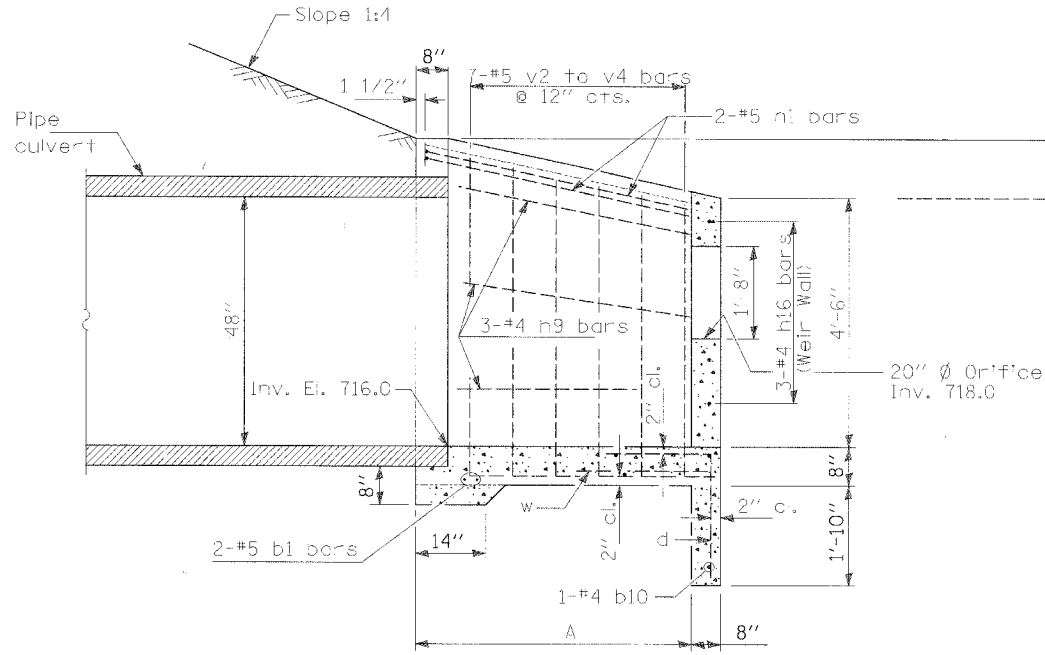
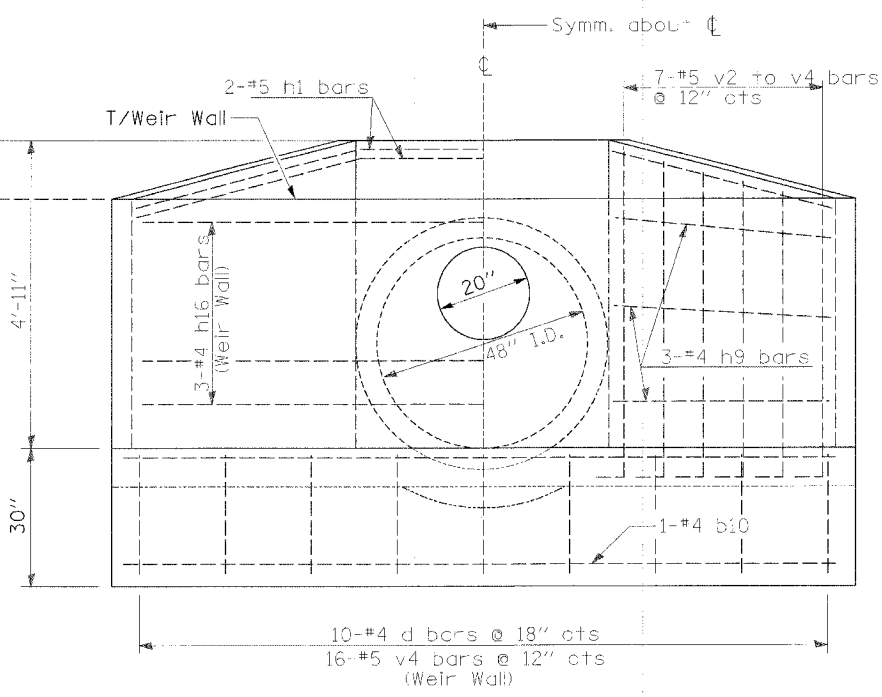


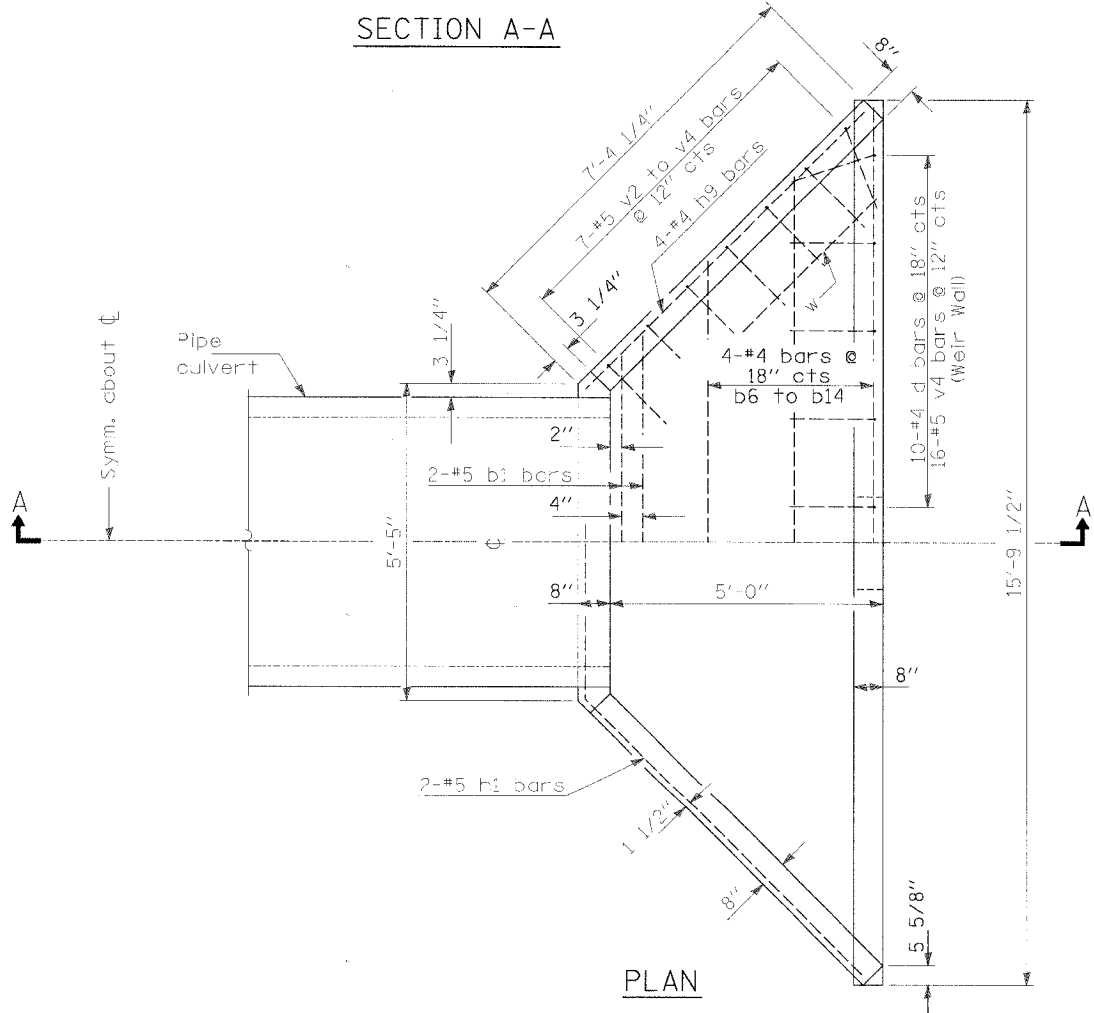
F.A.P. RTE.	SECTION	COUNTY	TOTAL SHEETS	SHEET NO.
361	06-00214-03-BR	KANE	52	42
STA.		TO STA.		
FED. ROAD DIST. NO. 1 ILLINOIS FED. AID PROJECT				



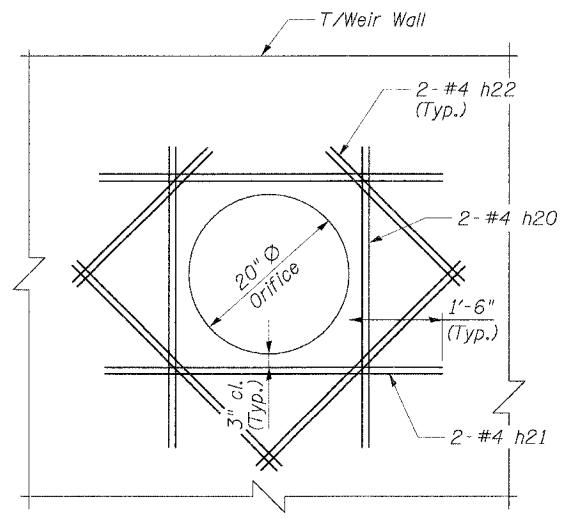
SECTION A-A



END ELEVATION



PLAN



REINFORCED OPENING DETAIL

GENERAL NOTES

- \* If embankment slope above headwall is flatter than 1:2, provide wings for 1:2 slope.
- All slope ratios are expressed as units of vertical displacement to units of horizontal displacement (V:H).
- All dimensions are in millimeters (inches) unless otherwise shown.

REVISIONS	
NAME	DATE

ILLINOIS DEPARTMENT OF TRANSPORTATION

CAST-IN-PLACE REINFORCED CONCRETE END SECTIONS 48"

SCALE: VERT. HORIZ. DATE 9/13/2006 DRAWN BY CHECKED BY

CHRISTOPHER B. BURKE ENGINEERING, LTD.  
 8575 W. Higgins Road, Suite 600  
 Rosemont, Illinois 60018  
 (847) 823-0600

CB  
 BB

PLT DATE = 9/13/2006  
 PLOT NAME = N:\mxd\project\84710R01\CAD\10171.dwg:801.DET  
 USER NAME = BLUSER