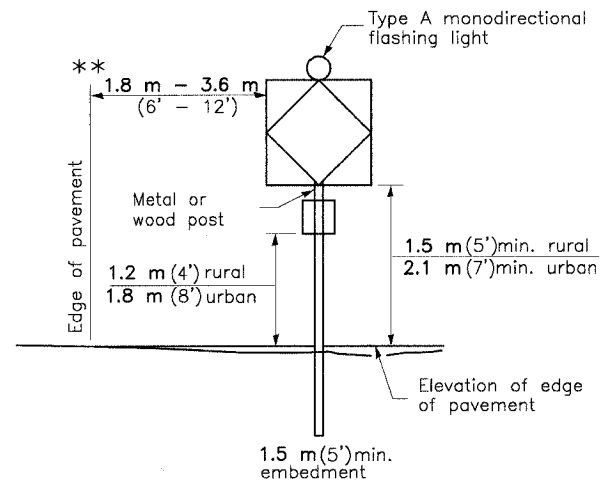
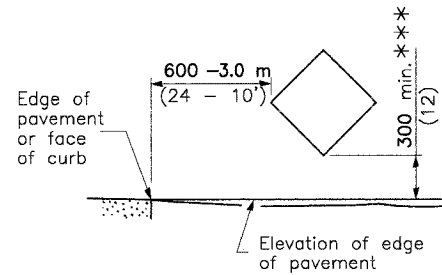


FAP RTE.	SECTION	COUNTY	TOTAL SHEETS	SHEET NO.
348	04-00040-00-LS	COOK	31	12
F.H.W.A. REG.	ILLINOIS	PROJECT:	F-0348(028)	
CONTRACT NUMBER 83863				



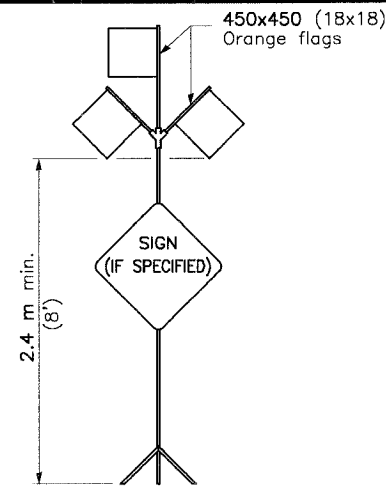
POST MOUNTED SIGNS

** When curb or paved shoulder are present this dimension shall be 600 (24) to the face of curb or 1.8 m (6') to the outside edge of the paved shoulder.



SIGNS ON TEMPORARY SUPPORTS

*** When work operations exceed four days, this dimension shall be 1.5 m (5') min.



HIGH LEVEL WARNING DEVICE



G20-1(0)-6036 G20-2a(0)-6024

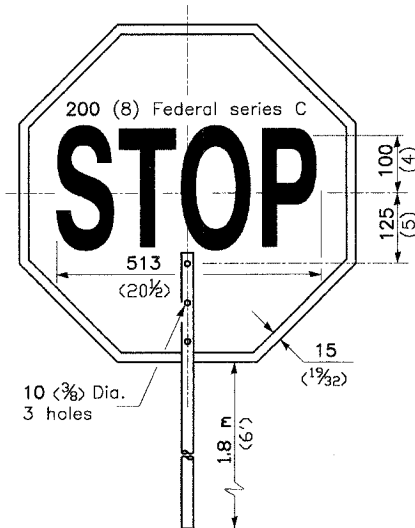
This signing is required for all projects 3200 m (2 miles) or more in length.

ROAD CONSTRUCTION NEXT X MILES sign shall be placed 150 m (500') in advance of project limits.

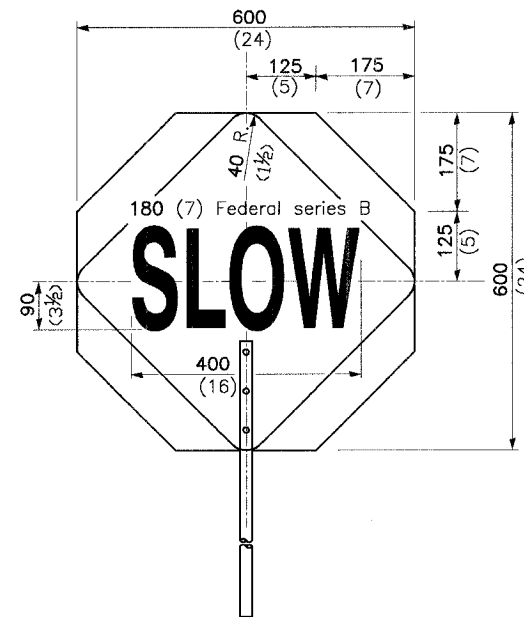
END CONSTRUCTION sign shall be erected at the end of the job unless another job is within 3200 m (2 miles).

Dual sign displays shall be utilized on multi-lane highways.

WORK LIMIT SIGNING



FRONT SIDE



REVERSE SIDE

FLAGGER TRAFFIC CONTROL SIGN

All dimensions are in millimeters (inches) unless otherwise shown.

TRAFFIC CONTROL DEVICES

(Sheet 2 of 3)

STANDARD 702001-06

Illinois Department of Transportation	
APPROVED	April 1, 2006
<i>[Signature]</i>	
ENGINEER OF OPERATIONS	
APPROVED	April 1, 2006
<i>[Signature]</i>	
ENGINEER OF DESIGN AND ENVIRONMENT	

MORRIS ENGINEERING, INC.

5100 S. LINCOLN SUITE 100 • LISLE, ILLINOIS 60532
PHONE: (630)271-0770 • EMAIL: ECIVIL.COM

DWG LOCATION: H:\04-PH\3004\PLANS-ENG\REV-1

DRAWN BY: CJS/CMM FLD, BK. / PG. NO. : .

COMPLETION DATE : 4/26/06 JOB NO. : 04-PH-3004

HARLEM AVENUE MEDIAN IMPROVEMENTS

DETAIL SHEET

DATE	REVISIONS	BY	SHEET
1 6/1/06	PER IDOT 5/18/06	OSC	12
2			
3			

OF 31 SHEETS