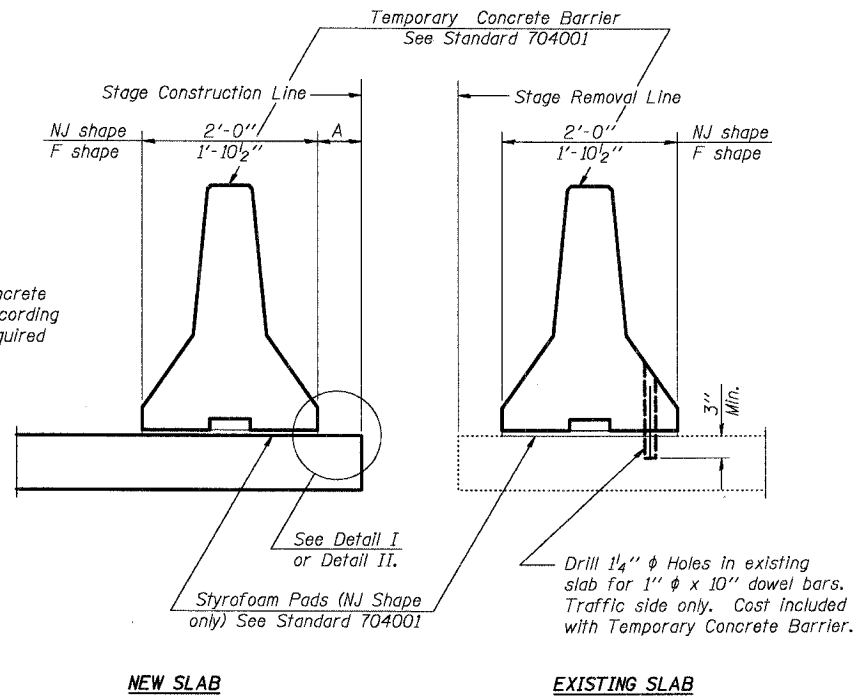


ROUTE NO.	SECTION	COUNTY	SHEET NO.	SHEET
FAU 1517	03-00247-00-BR	KANE	121	45
FED. ROAD DIST. NO. 1	ILLINOIS	FED. AID PROJECT-	CONTRACT #83867	

SHEET NO. SW-4
SW-30 SHEETS

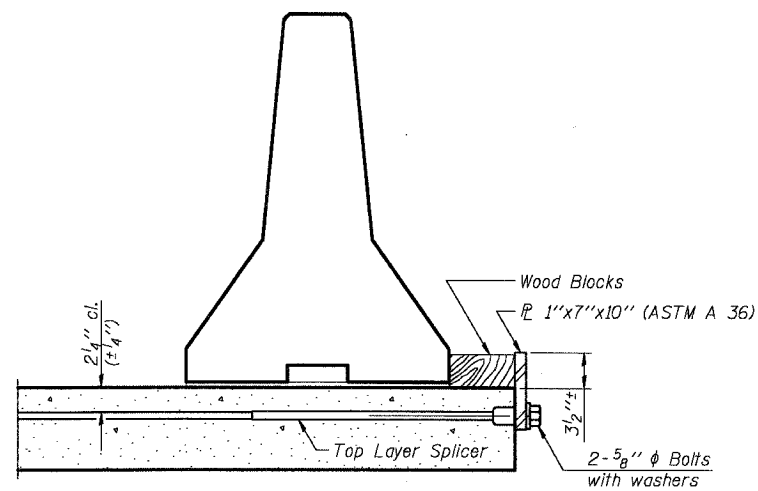


When "A" is 3'-6" or less, the temporary concrete barrier shall be anchored to the new slab according to Detail I or Detail II. No anchorage is required when "A" is greater than 3'-6".

NOTES

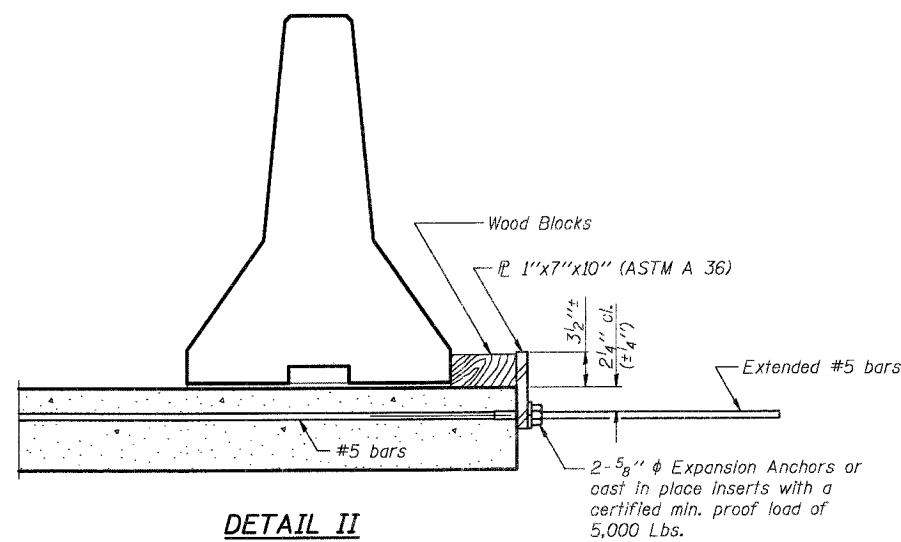
- Detail I - With Bar Splicer or Couplers:**
Connect one (1) 1"x7"x10" steel plate to the top layer of couplers with 2-5/8" phi bolts screwed to coupler at approximate center of each barrier panel.
- Detail II - With Extended Reinforcement Bars:**
Connect one (1) 1"x7"x10" steel plate to the concrete slab with 2-5/8" phi Expansion Anchors or cast in place inserts spaced between the top layer of reinforcement at approximate center of each barrier panel.
Cost of anchorage is included with Temporary Concrete Barrier. See Roadway plans for quantity Temporary Concrete Barrier.

SECTION THRU SLAB



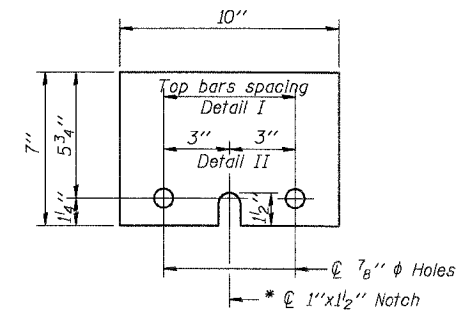
DETAIL I

The 1"x7"x10" Plate shall not be removed until Stage II Construction forms and reinforcement bars are in place.



DETAIL II

The 1"x7"x10" Plate shall not be removed until Stage II Construction forms and all reinforcement bars are in place and the concrete is ready to be placed.



1"x7"x10"

* Required only with Detail II

DESIGNED	AEU
CHECKED	RGD
DRAWN	WJH
CHECKED	NRF

SMITH ENGINEERING CONSULTANTS, INC.
CIVIL/STRUCTURAL ENGINEERS AND SURVEYORS

REVISIONS	
NAME	DATE

CITY OF AURORA
TEMPORARY CONCRETE BARRIER
ILLINOIS AVENUE
OVER THE FOX RIVER
SECTION NO. 03-00247-00-BR
KANE COUNTY
STRUCTURE NO. 045-6009
DATE 7-28-2006

CONTRACT NO. 03-00247-00-BR
 PROJECT NO. 03-00247-00-BR
 SHEET NO. SW-4 OF 30
 DATE: 7-28-2006
 DRAWN BY: WJH
 CHECKED BY: NRF
 DESIGNED BY: AEU
 PROJECT NO. 03-00247-00-BR
 SHEET NO. SW-4 OF 30
 DATE: 7-28-2006