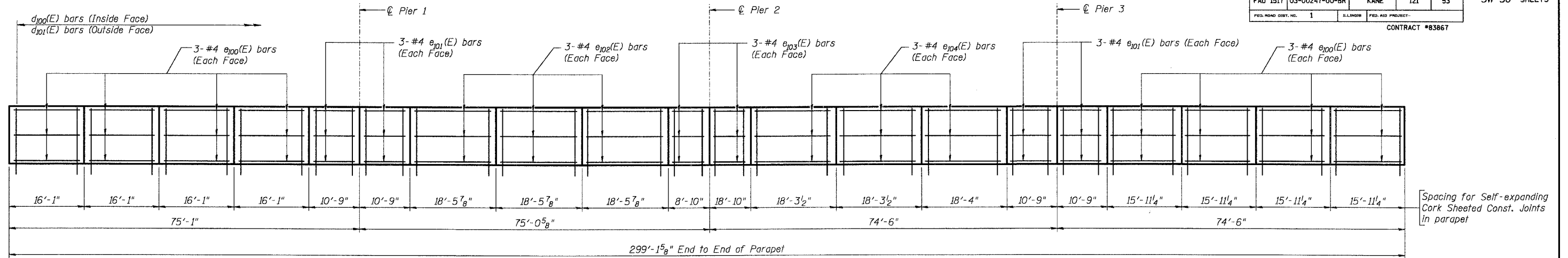


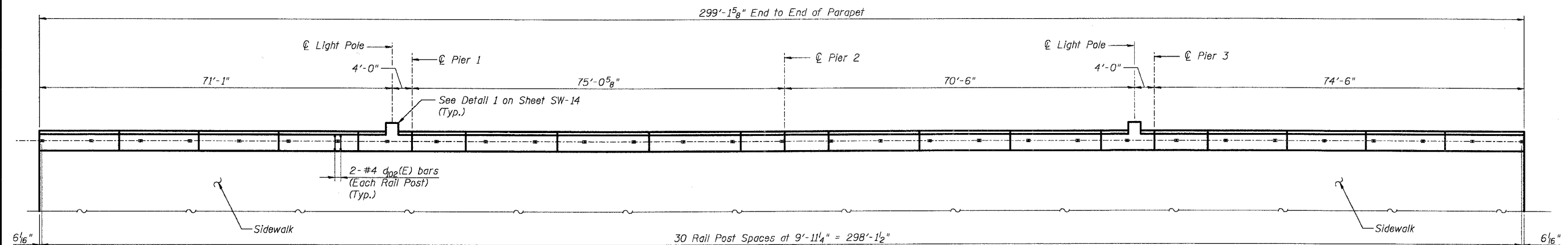
ROUTE NO.	SECTION	COUNTY	SHEETS	SHEET NO.
FAU 1517	03-00247-00-BR	KANE	121	53
FED. ROAD DIST. NO.	1	ILLINOIS	FED. AID PROJECT-	

SHEET NO. SW-12  
SW-30 SHEETS

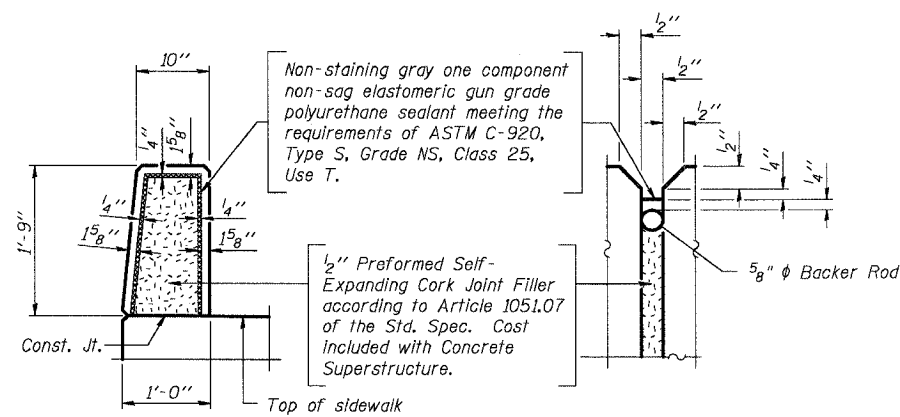
CONTRACT #83867



**INSIDE ELEVATION OF NORTH PARAPET**



**TOP PLAN OF NORTH PARAPET**



**PARAPET JOINT DETAILS**

**Notes:**

- Work this Sheet with Sheets SW-10, SW-11 & SW-14.
- For parapet railing details see Sheet SW-17.
- For light pole support details see Sheet SW-14.
- For Bill of Material see Sheet SW-11

DESIGNED	AEU
CHECKED	RGD
DRAWN	WJH
CHECKED	NRF



REVISIONS	
NAME	DATE

CITY OF AURORA  
SUPERSTRUCTURE DETAILS II  
ILLINOIS AVENUE  
OVER THE FOX RIVER  
SECTION NO. 03-00247-00-BR  
KANE COUNTY  
STRUCTURE NO. 045-6009  
DATE 7-28-2006

COMPANY NAME, SIZE, DATE, PROJECT, CLIENT, ADDRESS, PHONE, FAX, E-MAIL, WEBSITE, URL, STATE, COUNTRY, PROJECT NO., SHEET NO., SHEETS, CONTRACT NO., DATE