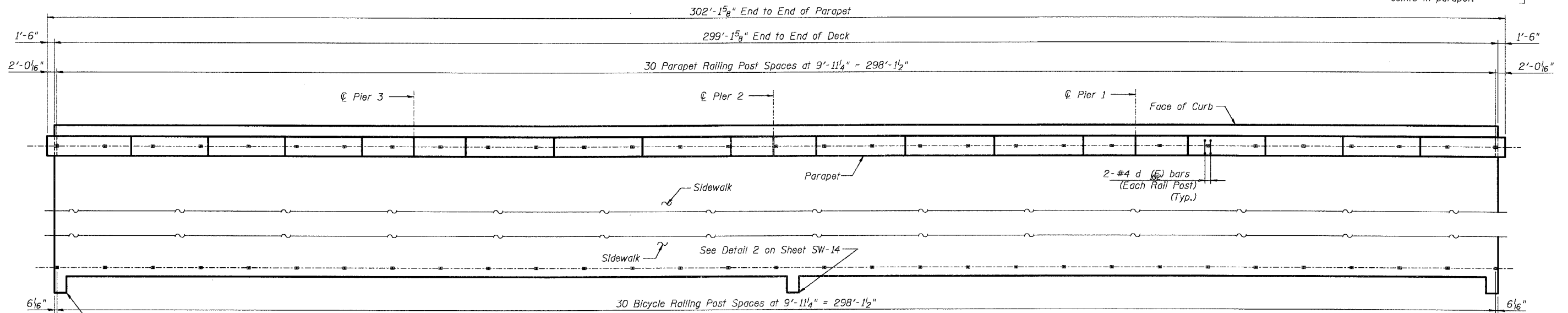
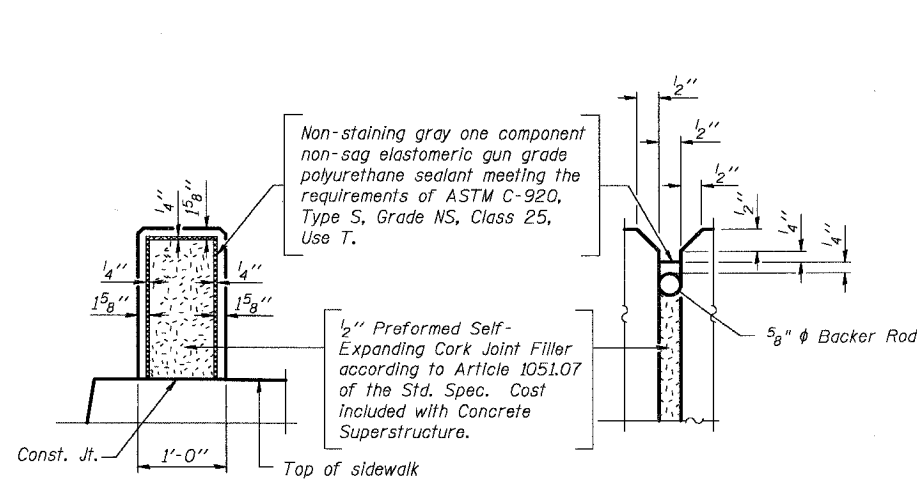


**INSIDE ELEVATION OF SOUTH PARAPET**

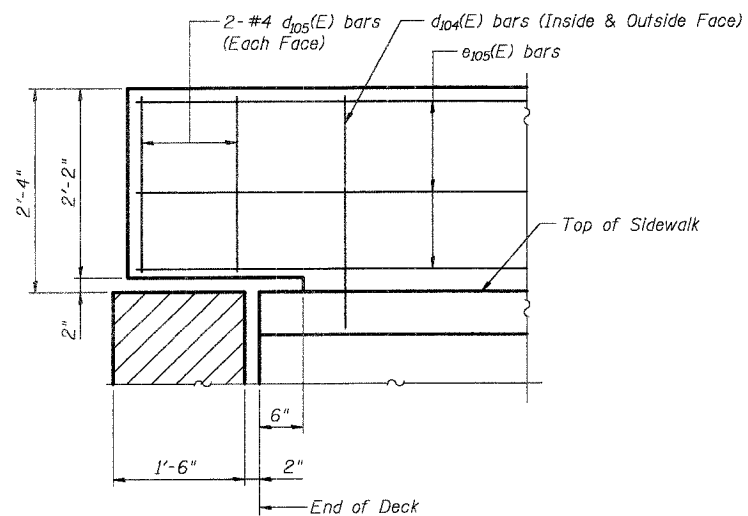
Spacing for Self-expanding  
Cork Sheeted Construction  
Joints in parapet.



**TOP PLAN OF SHARED USE PATH**



**SOUTH PARAPET JOINT DETAILS**



**DETAIL 1**

Typical at both ends of Parapet

Notes:  
Work this Sheet with Sheets SW-10, SW-11 & SW-14.  
For parapet railing details see Sheet SW-11.  
For light pole support details see Sheet SW-14.  
For Bill of Material see Sheet SW-11.

DESIGNED	AEU
CHECKED	RGD
DRAWN	WJH
CHECKED	NRF

SMITH ENGINEERING  
CONSULTANTS, INC.  
CIVIL, STRUCTURAL, ELECTRICAL  
AND SURVEYORS  
2001 N. Paulina Street, Suite 200  
Chicago, IL 60647-1000  
Tel: 312.329.1100 Fax: 312.329.1101

REVISIONS	
NAME	DATE

CITY OF AURORA  
SUPERSTRUCTURE DETAILS III  
ILLINOIS AVENUE  
OVER THE FOX RIVER  
SECTION NO. 03-00247-00-BR  
KANE COUNTY  
STRUCTURE NO. 045-6009

DATE 7-28-2006