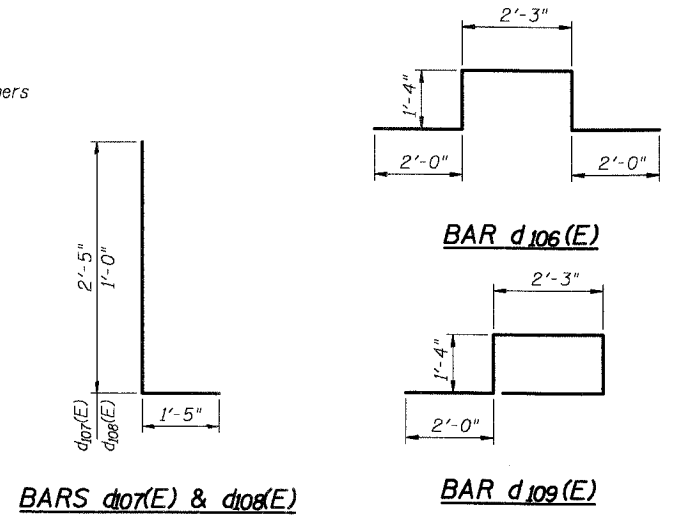
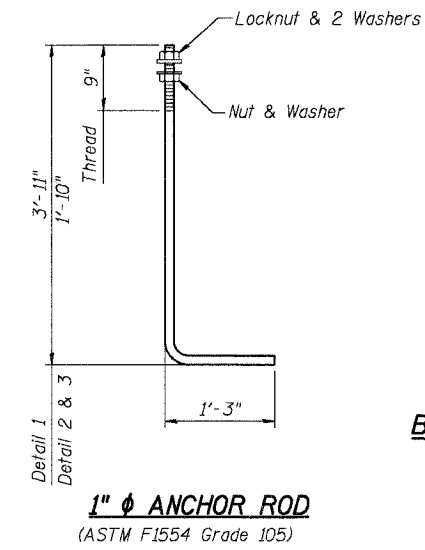
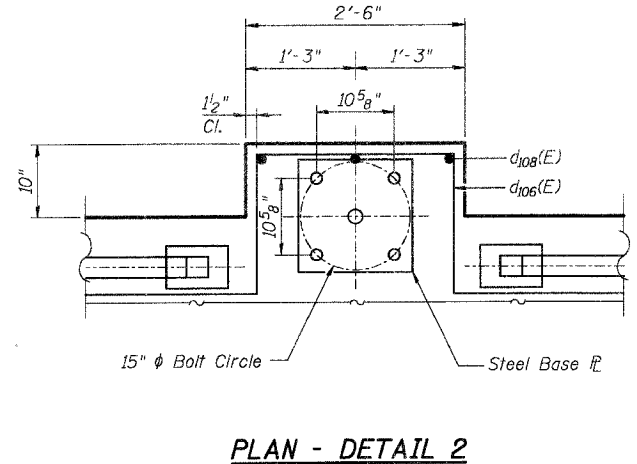
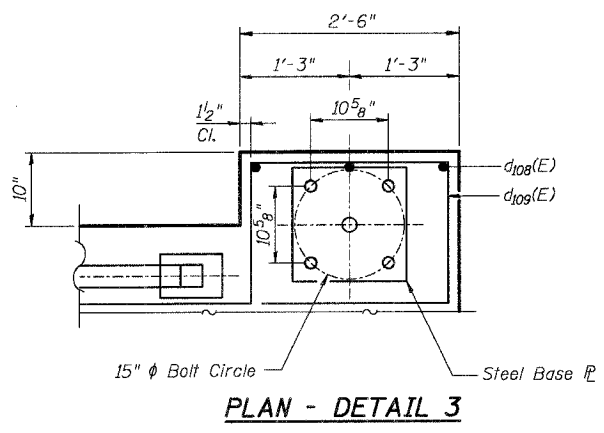
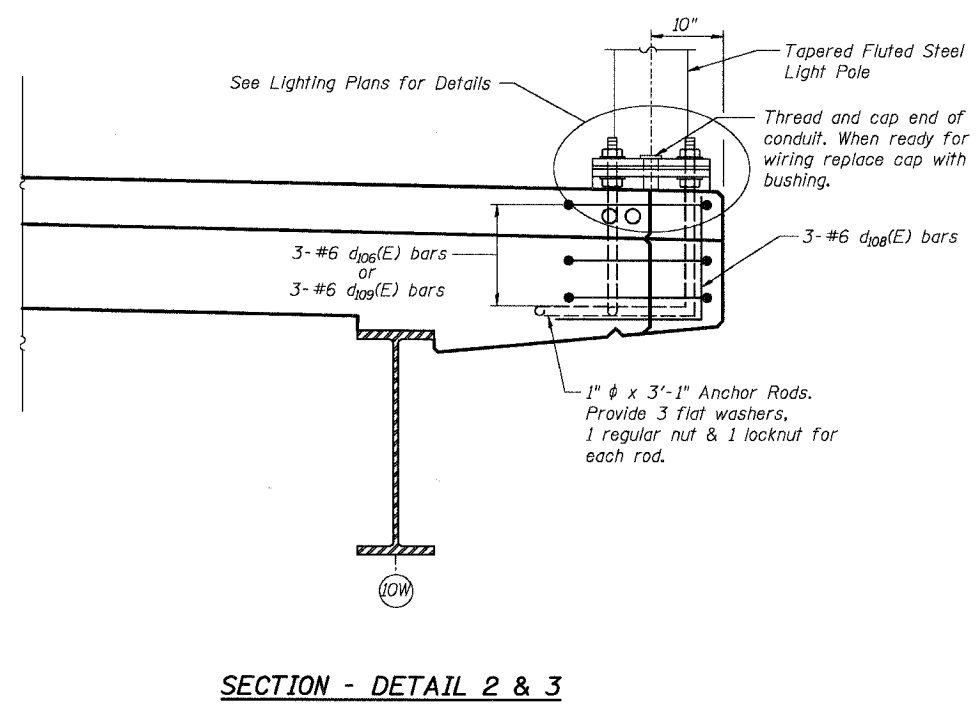


LIGHT POLE MOUNTED ON CONCRETE PARAPET DETAILS



NOTES:
Work this sheet with sheets SW-10 through SW-13.
For Bill of Material see Sheet SW-11.

DESIGNED	AEU
CHECKED	RGD
DRAWN	WJH
CHECKED	NRF

REVISIONS	
NAME	DATE

CITY OF AURORA

SUPERSTRUCTURE DETAILS IV
ILLINOIS AVENUE
OVER THE FOX RIVER
SECTION NO. 03-00247-00-BR
KANE COUNTY
STRUCTURE NO. 045-6009

DATE 7-28-2006

DESIGNER: AEU, INC. PROJECT: SUPERSTRUCTURE DETAILS IV OVER THE FOX RIVER, ILLINOIS AVENUE, AURORA, ILLINOIS. SHEET: SW-14 OF 55. DATE: 7-28-2006.