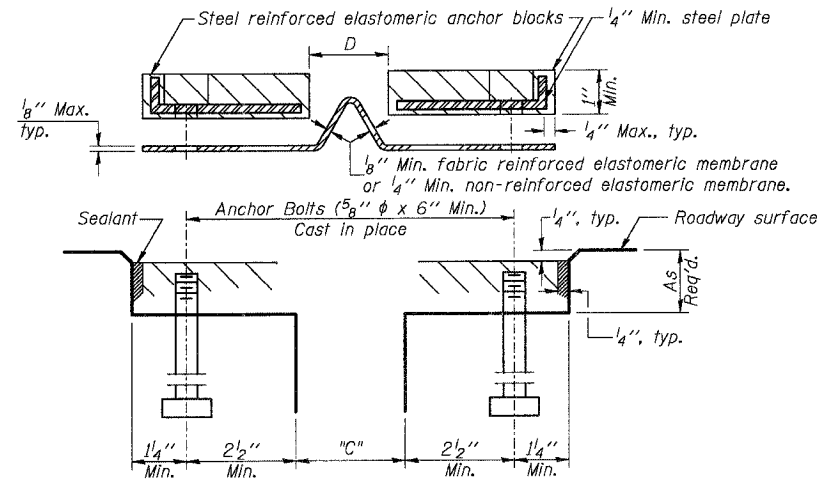


Joint Size	"C" at 50°F	"D" at 50°F
2"	2"	1 1/2" Min.

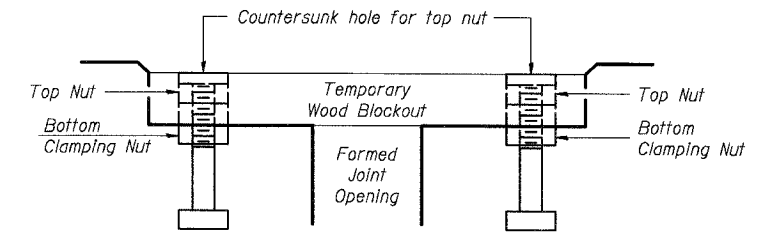
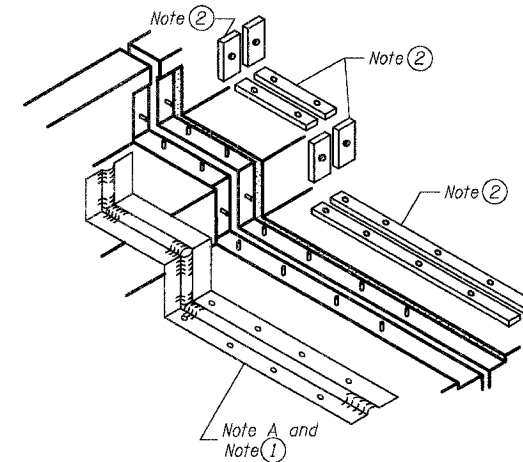
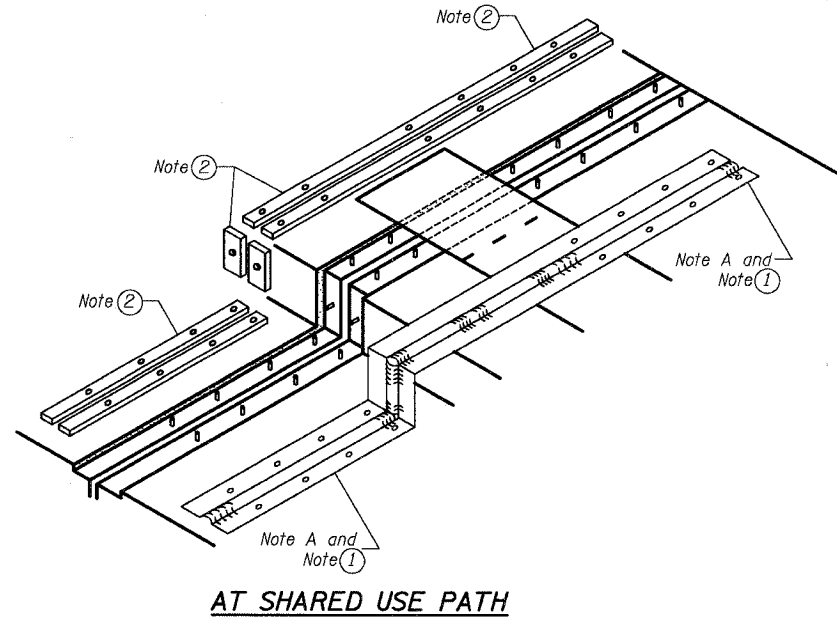
INSTALLATION NOTES

- ① Install continuous seal in roadway, parapet, curb, and sidewalk.
- ② Install anchor blocks as indicated.

Note A:
Maximum spacing of anchor bolts shall be 12" centers.

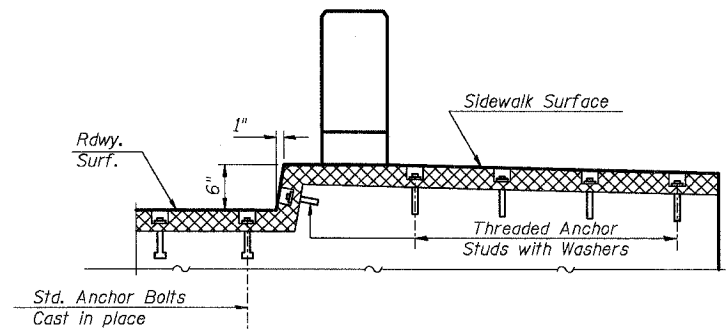


CROSS SECTION

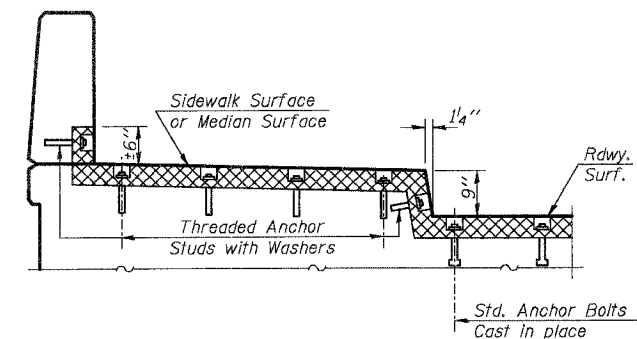


Note:
Stud needs to be threaded lower to allow for use of clamping nut.

RECOMMENDED BLOCKOUT DETAIL



AT SHARED USE PATH TYPICAL END TREATMENTS



AT SIDEWALK OR MEDIAN TYPICAL END TREATMENTS

BILL OF MATERIAL

Item	Unit	Quantity
Neoprene Expansion Joint 2"	Foot	152.7

DESIGNED	AEU
CHECKED	RGD
DRAWN	WJH
CHECKED	NRF

SMITH ENGINEERING CONSULTANTS, INC. CIVIL, STRUCTURAL, ELECTRICAL AND SURVEYORS 1100 N. WASHINGTON ST., SUITE 200 AURORA, ILLINOIS 60007	
REVISIONS	
NAME	DATE

CITY OF AURORA
NEOPRENE EXPANSION JOINTS
ILLINOIS AVENUE
OVER THE FOX RIVER
SECTION NO. 03-00247-00-BR
KANE COUNTY
STRUCTURE NO. 045-6009
DATE 7-28-2006