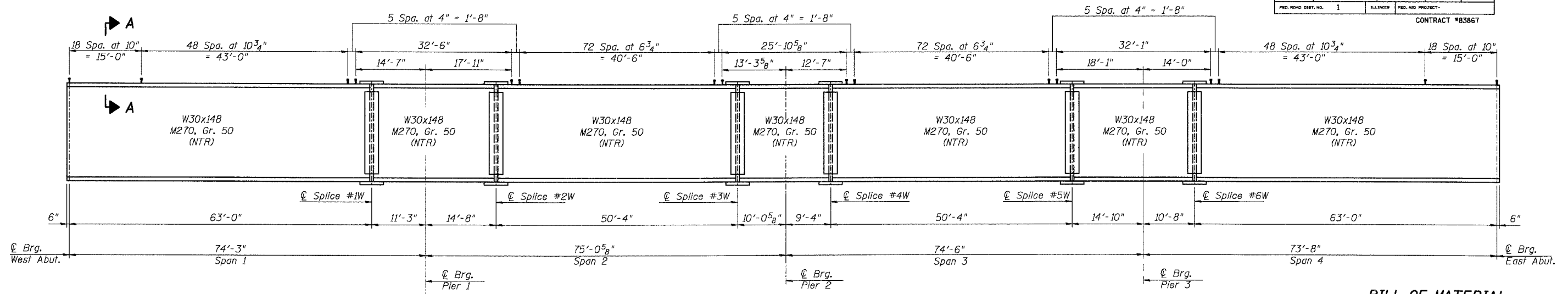


ROUTE NO.	SECTION	COUNTY	TOTAL SHEETS	SHEET NO.
FAU 1517	03-00247-00-BR	KANE	121	60
FED. ROAD DIST. NO. 1	BILLINGS	FED. AID PROJECT-	CONTRACT #83867	

SHEET NO. SW-19
SW-30 SHEETS



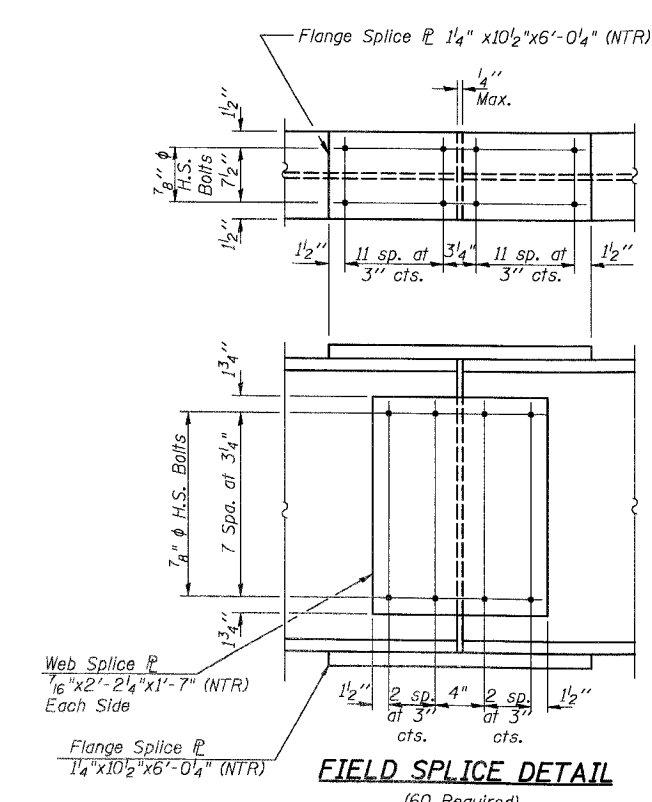
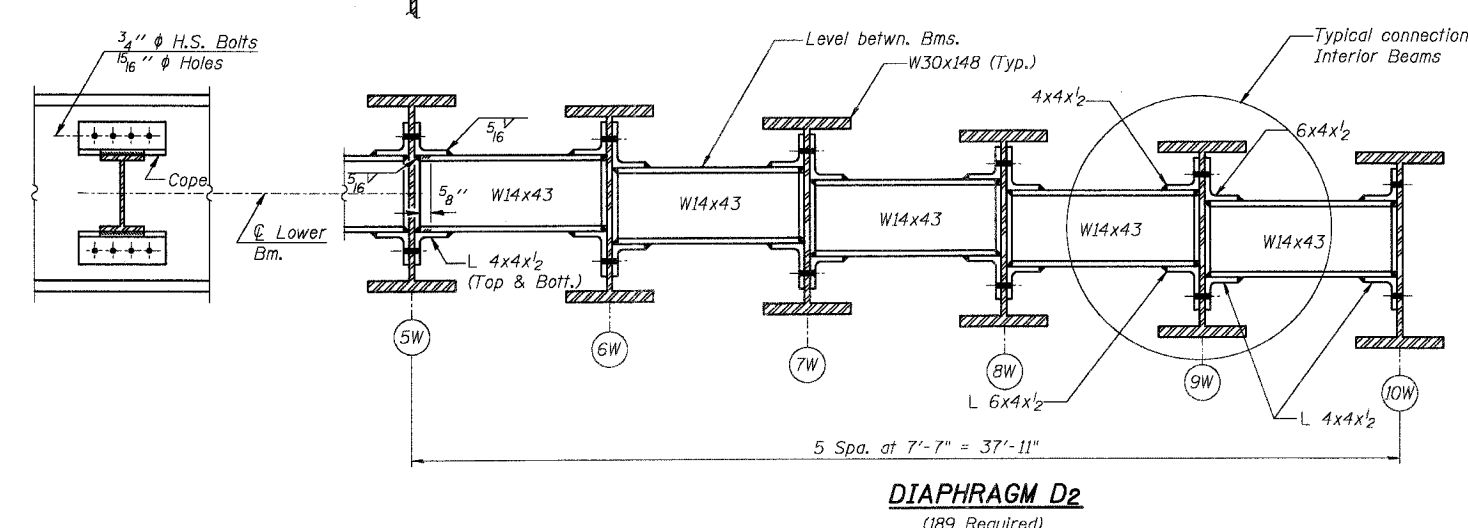
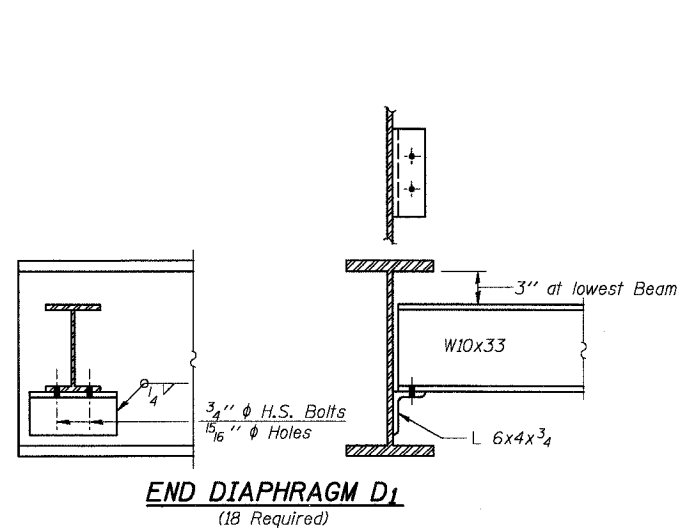
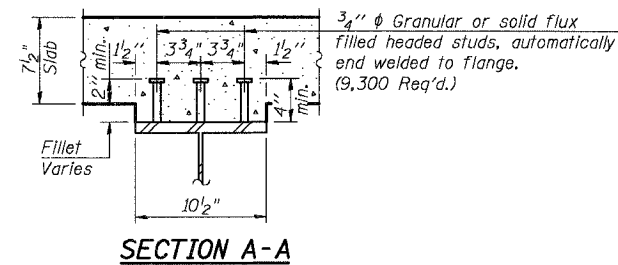
TYPICAL BEAM ELEVATION

"NTR" denotes beams to which Notch Toughness requirements are applicable

BILL OF MATERIAL

Item	Unit	Quantity
Furnishing & Erecting Structural Steel	L. Sum	0.66
Stud Shear Connectors	Each	9,300

Notes:
Work this Sheet with Sheets SW-18, SW-20 & SW-21.
All splice material shall be M270 Grade 50.



DESIGNED	AEU
CHECKED	RGD
DRAWN	WJH
CHECKED	NRF

Note:
Two hardened washers shall be required over all oversize holes for diaphragms.

REVISIONS	
NAME	DATE

CITY OF AURORA
STEEL FRAMING DETAILS
ILLINOIS AVENUE
OVER THE FOX RIVER
SECTION NO. 03-00247-00-BR
KANE COUNTY
STRUCTURE NO. 045-6009
DATE 7-28-2006

COMPANY NAME, INC. PROJECT NO. 03-00247-00-BR SHEET NO. SW-30
 COUNTY, ILLINOIS
 PROJECT NO. 03-00247-00-BR SHEET NO. SW-30