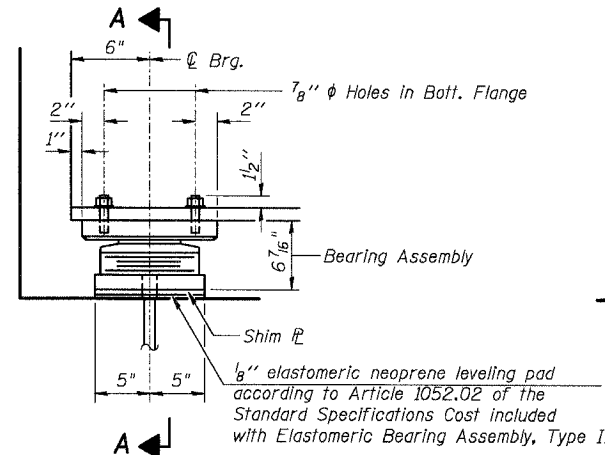


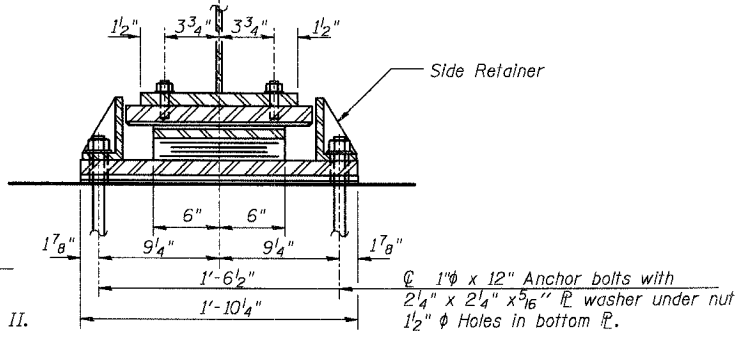
ROUTE NO.	SECTION	COUNTY	SHEETS	SHEET NO.
FAU 1517	03-00247-00-BR	KANE	121	61
FED. ROAD DIST. NO.	ILLINOIS	FED. AID PROJECT-		
1				

SHEET NO. SW-20
SW-30 SHEETS

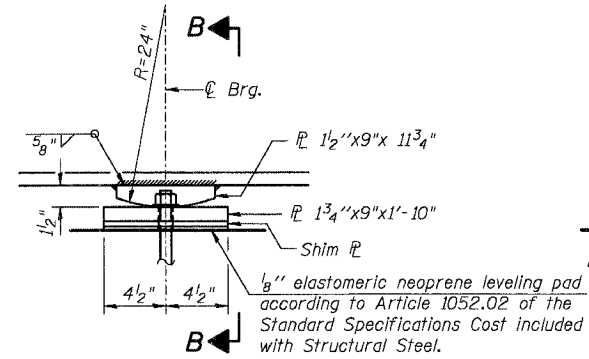
CONTRACT #83867



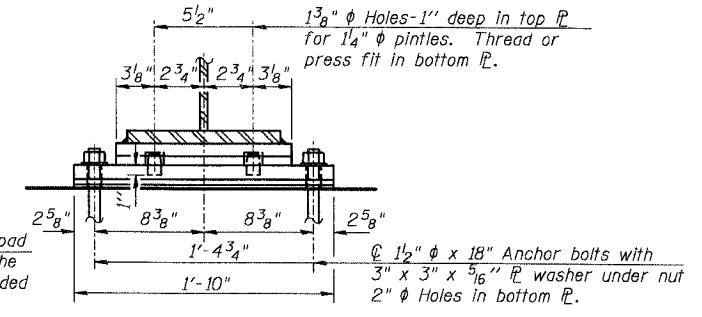
ELEVATION AT ABUTS.



SECTION A-A



ELEVATION AT PIER 2



SECTION B-B

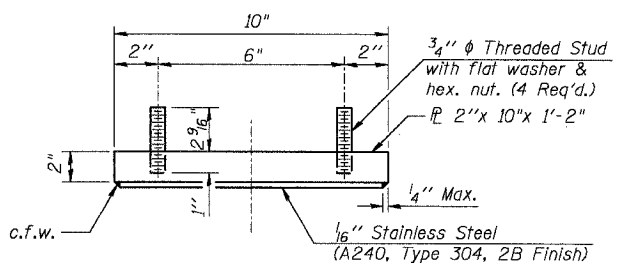
TYPE II ELASTOMERIC EXP. BRG.

(20 Required)

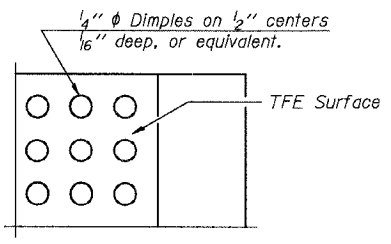
Notes:
See sheet SW-22 for Anchor Bolt installation.

FIXED BEARING

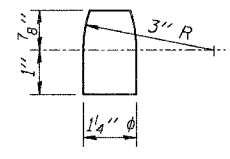
(10 Required)



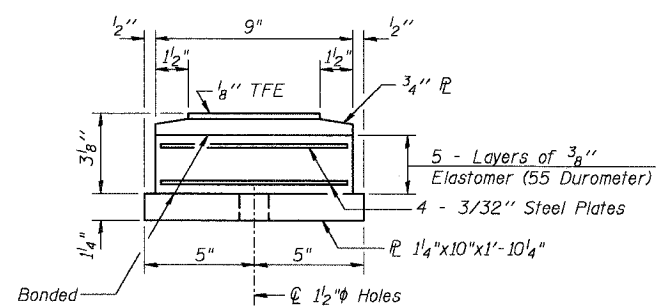
TOP BEARING ASSEMBLY



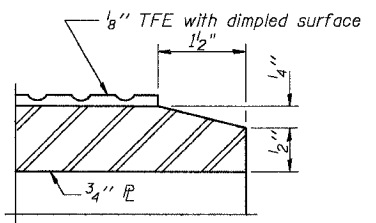
PLAN-TFE SURFACE



PINTLE
(Fy=50 ksi)

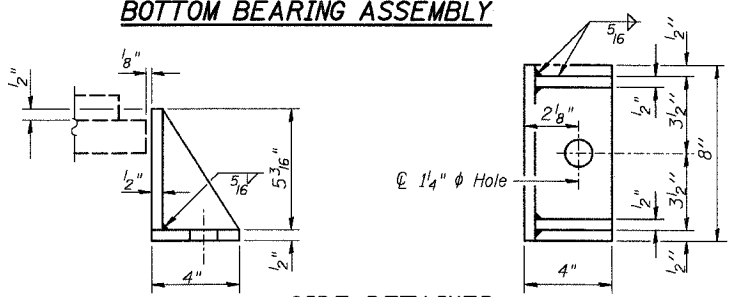


BOTTOM BEARING ASSEMBLY



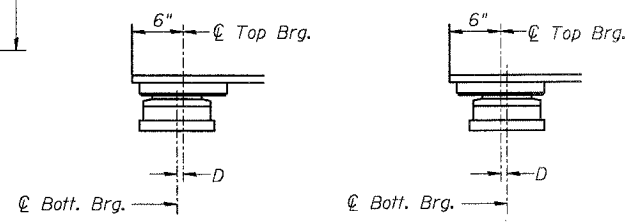
SECTION THRU TFE

Notes:
The 1/8" TFE sheet shall be bonded directly to the top steel plate with a two-component, medium viscosity epoxy resin, conforming to the requirements of the Federal Specification MMM-A-134, Type I. The bond agent shall be applied on the full area of the contact surfaces.
Bonding of 1/8" TFE sheet during vulcanizing process will be permitted provided the process and method of adjusting assembly height is approved by the Engineer.



SIDE RETAINER

Equivalent rolled angle with stiffeners will be allowed in lieu of welded plates. Weight included with Structural Steel.



SETTING ANCHOR BOLTS AT EXP. BRG.

(Move bott. brg. away from fixed brg.) (Move bott. brg. toward fixed brg.)

SETTING ANCHOR BOLTS AT EXP. BRG.

D=1/8" per each 100' of expansion for every 15° temp. change from the normal temp. of 50°F.

BILL OF MATERIAL

Item	Unit	Quantity
Elastomeric Bearing Assembly, Type II	Each	20

DESIGNED	AEU
CHECKED	RGD
DRAWN	WJH
CHECKED	NRF

REVISIONS	
NAME	DATE

CITY OF AURORA
BEARING DETAILS I
ILLINOIS AVENUE
OVER THE FOX RIVER
SECTION NO. 03-00247-00-BR
KANE COUNTY
STRUCTURE NO. 045-6009
DATE 7-28-2006

CONTRACT NO. 03-00247-00-BR
 PROJECT NO. 03-00247-00-BR
 SHEET NO. SW-30
 DATE 7-28-2006