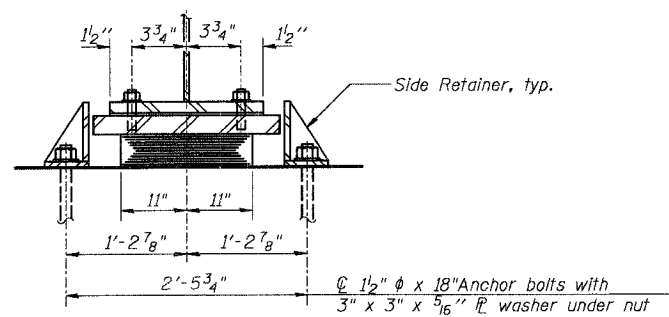
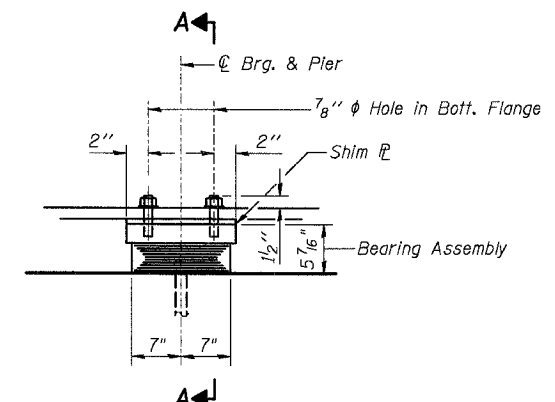


ROUTE NO.	DISTRICT	COUNTY	TOTAL SHEETS	SHEET NO.
FAU 1517	03-00247-00-BR	KANE	121	62
FED. ROAD DIST. NO.	DISTRICT	FED. AID PROJECT-		
1			CONTRACT #83867	

SHEET NO. SW-21
SW-30 SHEETS

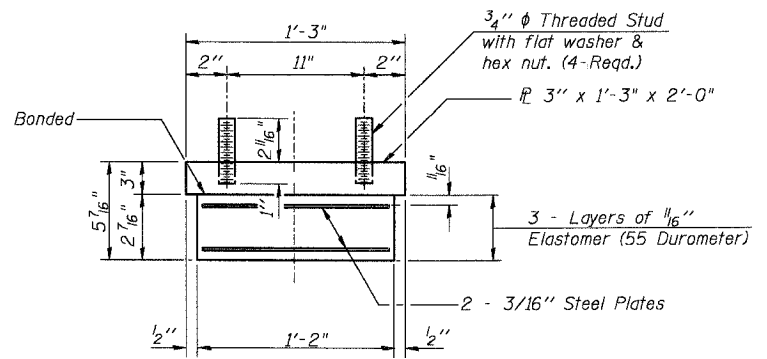


ELEVATION AT PIERS 1 & 3

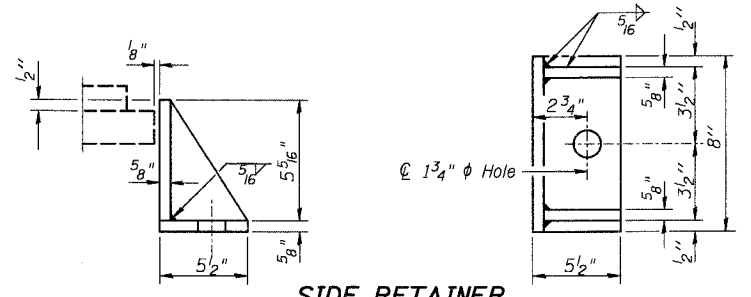
SECTION A-A

TYPE I ELASTOMERIC EXP. BRG.
(20 Required)

Notes:
See sheet SW-22 for Anchor Bolt installation.



Note:
Shim plates shall not be placed under Bearing Assembly.



Equivalent rolled angle with stiffeners will be allowed in lieu of welded plates. Weight included with Structural Steel.

BILL OF MATERIAL

Item	Unit	Quantity
Elastomeric Bearing Assembly, Type I	Each	20

DESIGNED	AEU
CHECKED	RGD
DRAWN	WJH
CHECKED	NRF

SMITH ENGINEERING CONSULTANTS, INC.	
NAME	DATE

CITY OF AURORA
BEARING DETAILS II
ILLINOIS AVENUE
OVER THE FOX RIVER
SECTION NO. 03-00247-00-BR
KANE COUNTY
STRUCTURE NO. 045-6009
DATE T-28-2006