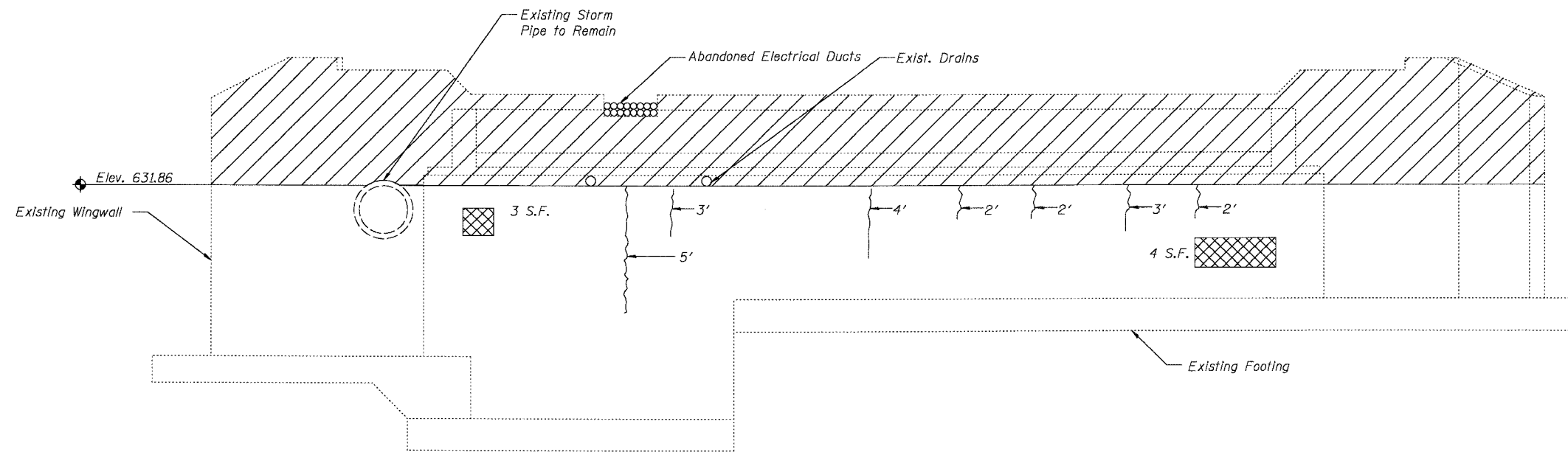
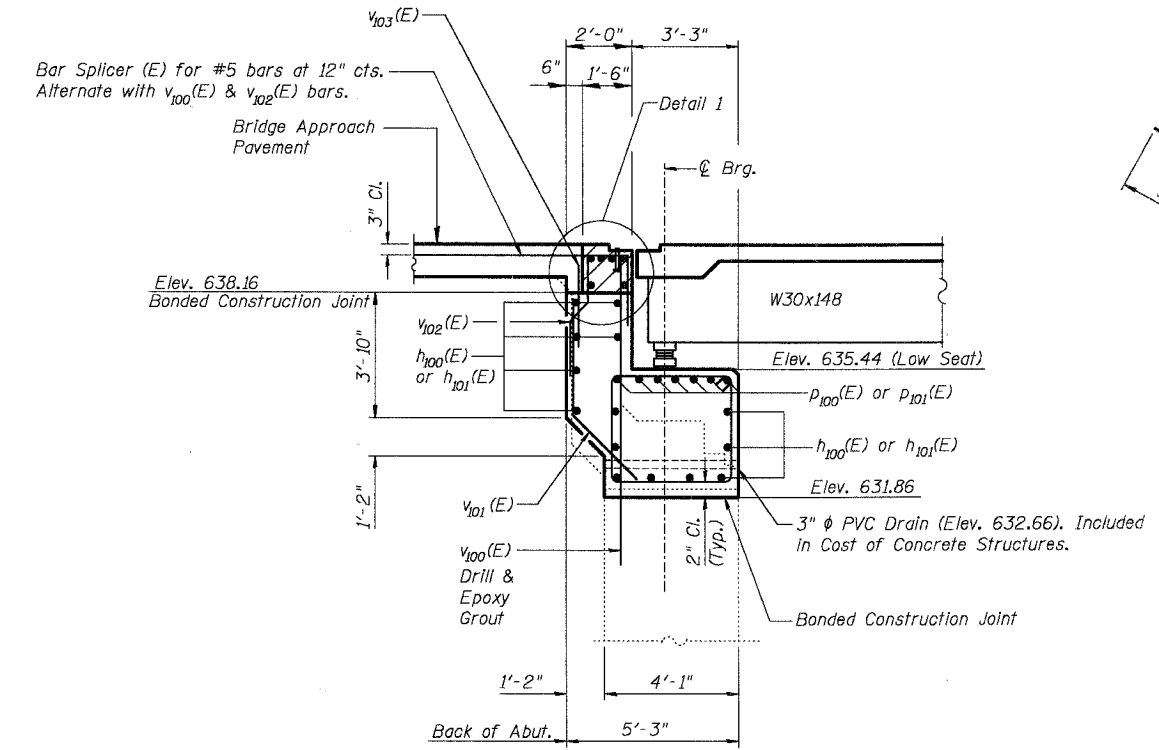


CONTRACT #83867

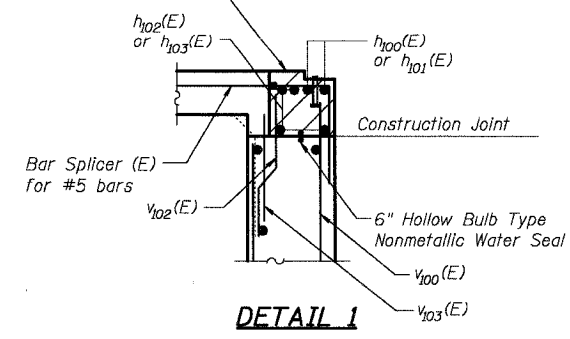


ELEVATION
Looking West



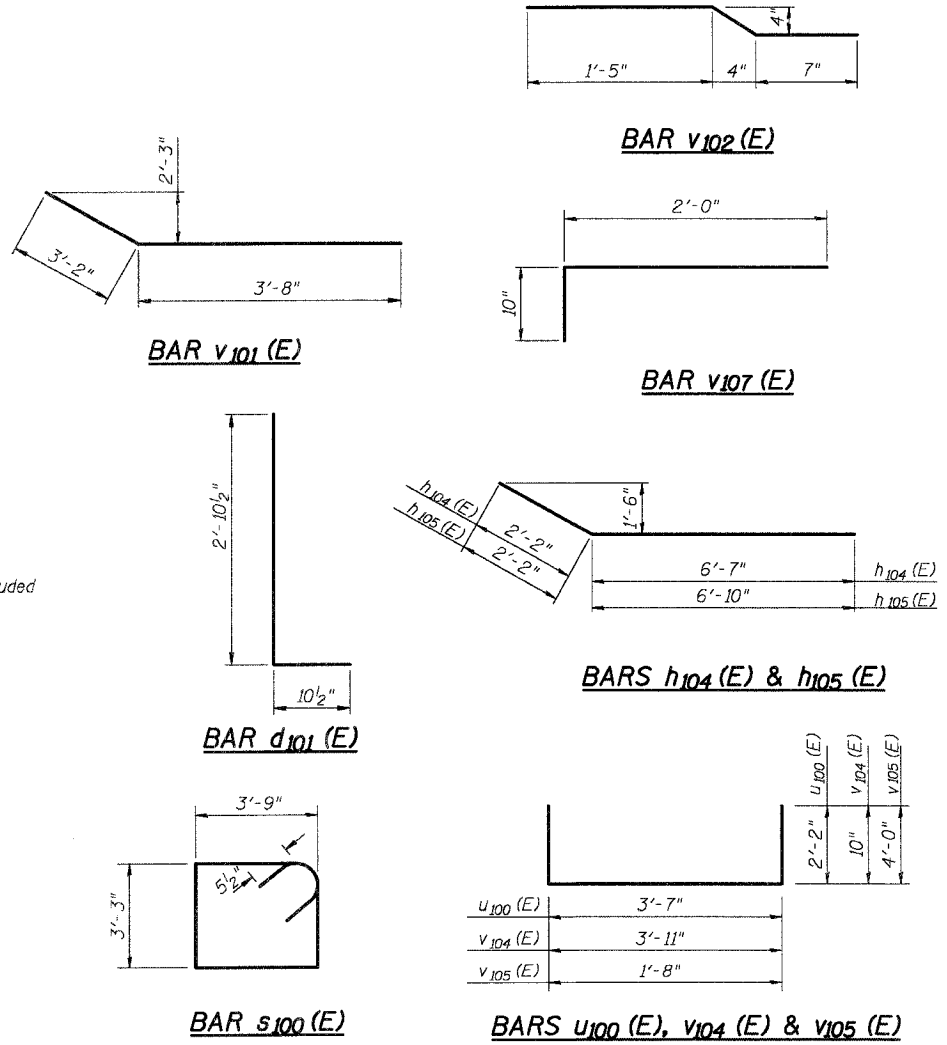
SECTION A-A

Hatched area to be poured after superstructure falsework has been removed. Quantity of concrete included with Concrete Superstructure.



DETAIL 1

DESIGNED	AEU
CHECKED	RGD
DRAWN	WJH
CHECKED	NRF



LEGEND

- Indicates Concrete Removal Areas
- Indicates Epoxy Crack Sealing
- Indicates Structural Repair of Concrete

BILL OF MATERIAL
WEST ABUTMENT

Bar	No.	Size	Length	Shape
d ₁₀₁ (E)	6	#6	3'-9"	
v ₁₀₆ (E)	6	#4	1'-8"	
h ₁₀₀ (E)	16	#5	38'-10"	
h ₁₀₁ (E)	16	#5	34'-8"	
h ₁₀₂ (E)	4	#6	38'-10"	
h ₁₀₃ (E)	4	#6	34'-8"	
h ₁₀₄ (E)	16	#5	8'-9"	
h ₁₀₅ (E)	16	#5	9'-0"	
h ₁₀₆ (E)	3	#5	13'-9"	
h ₁₀₇ (E)	3	#5	5'-8"	
h ₁₀₈ (E)	4	#5	16'-10"	
h ₁₀₉ (E)	4	#5	20'-3"	
h ₁₁₀ (E)	3	#5	1'-2"	
h ₁₁₁ (E)	3	#5	1'-8"	
p ₁₀₀ (E)	7	#7	38'-10"	
p ₁₀₁ (E)	7	#7	34'-8"	
s ₁₀₀ (E)	75	#5	14'-11"	
u ₁₀₀ (E)	8	#5	7'-11"	
v ₁₀₀ (E)	75	#5	8'-4"	
v ₁₀₁ (E)	75	#5	6'-10"	
v ₁₀₂ (E)	54	#5	2'-6"	
v ₁₀₃ (E)	54	#5	2'-4"	
v ₁₀₄ (E)	54	#4	5'-7"	
v ₁₀₅ (E)	22	#5	9'-8"	
v ₁₀₆ (E)	28	#5	8'-0"	
v ₁₀₇ (E)	6	#5	2'-10"	
Reinforcement Bars, Epoxy Coated	Pound		6,650	
Concrete Removal	Cu. Yd.		41.2	
Concrete Structures	Cu. Yd.		74.0	
Structure Excavation	Cu. Yd.		53	
Bridge Seat Sealer	Sq. Ft.		241	
Epoxy Crack Sealing	Foot		21	
Structural Repair of Concrete (Less than or equal to 5')	Sq. Ft.		7	
Bicycle Railing, Special	Foot		11	

NOTES:

- Reinforcement bars designated (E) shall be epoxy coated.
- Work this sheet with sheet SW-24.
- See Sheet SW-2 for abutment drainage detail.

SMITH ENGINEERING CONSULTANTS, INC.
CIVIL/STRUCTURAL ENGINEERS
140 SOUTH CHICAGO
CHICAGO, ILLINOIS 60604
www.smitheng.com
Tel: 312.467.1100
Fax: 312.467.1101

REVISIONS	
NAME	DATE

CITY OF AURORA

WEST ABUTMENT DETAILS
ILLINOIS AVENUE
OVER THE FOX RIVER
SECTION NO. 03-00247-00-BR
KANE COUNTY
STRUCTURE NO. 045-6009

DATE 7-28-2006