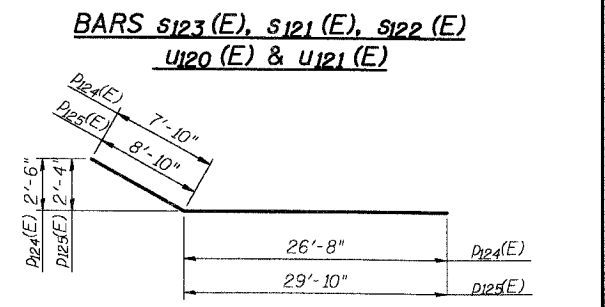
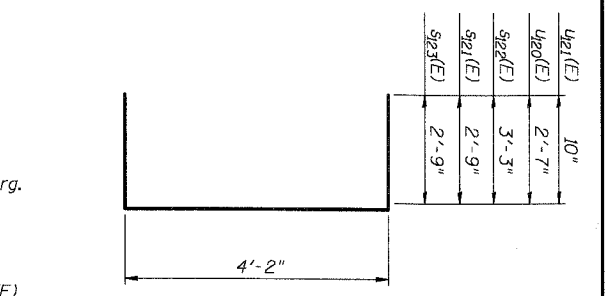


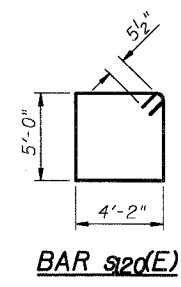
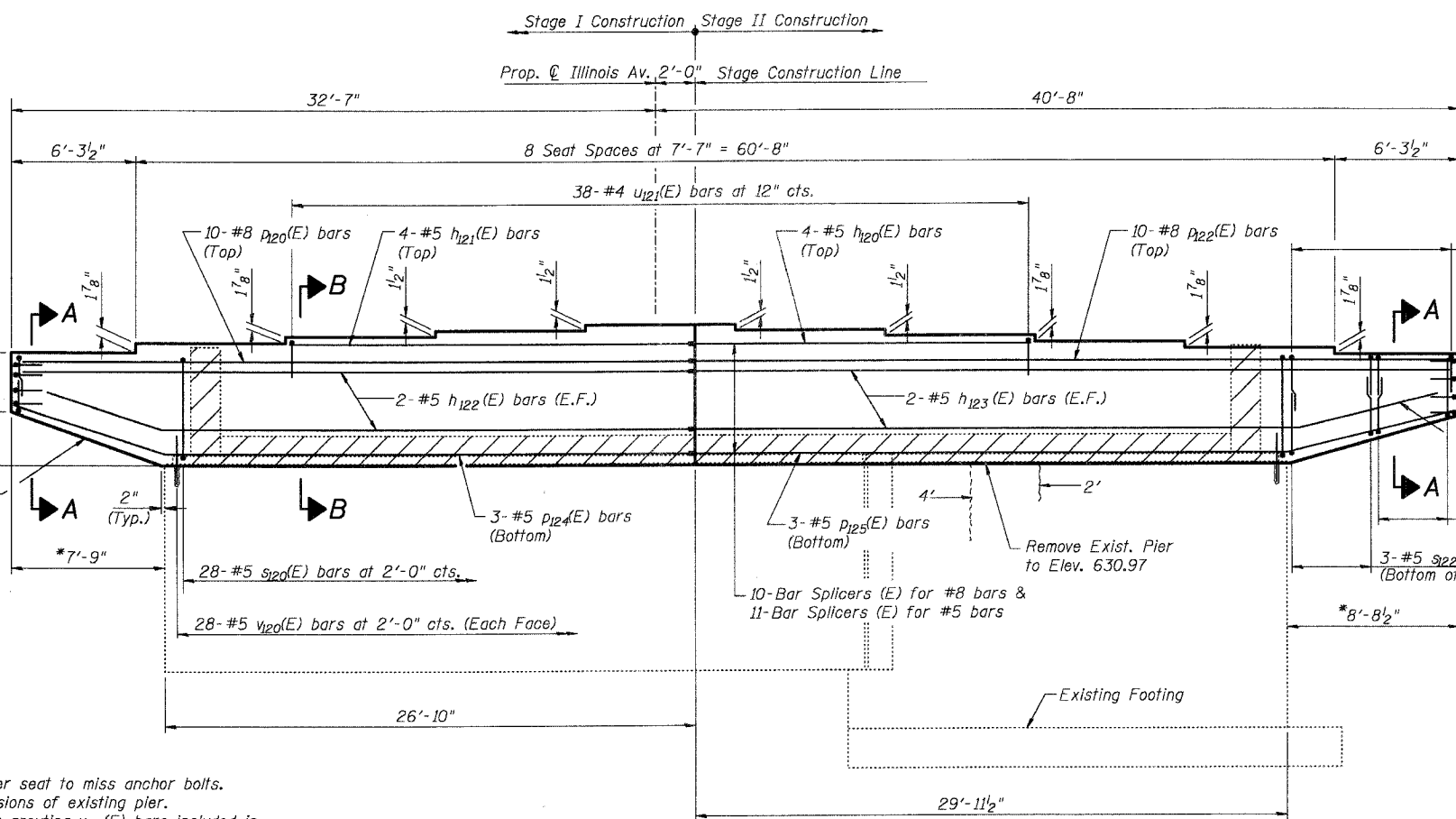
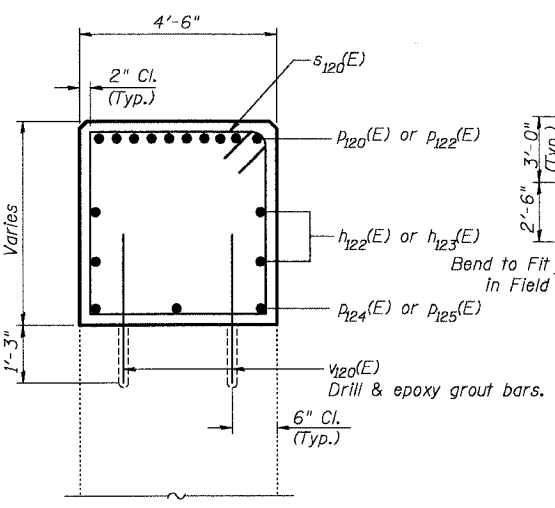
**BEAM SEAT ELEVATION TABLE**

Beam #	1W	2W	3W	4W	5W	6W	7W	8W	9W	10W
Seat Elevation	636.47	636.63	636.79	636.91	637.02	636.90	636.78	636.62	636.46	636.30



**LEGEND:**

- Indicates Concrete Removal Areas
- Indicates Epoxy Crack Sealing (Near Face)
- Indicates Epoxy Crack Sealing (Far Face)



**BILL OF MATERIAL  
PIER 1**

Bar No.	Size	Length	Shape
h120(E)	4 #5	16'-10"	—
h121(E)	4 #5	20'-3"	—
h122(E)	4 #5	34'-3"	—
h123(E)	4 #5	38'-4"	—
p120(E)	10 #8	34'-3"	—
p122(E)	10 #8	38'-4"	—
p124(E)	3 #5	34'-6"	┌
p125(E)	3 #5	38'-8"	┌
s120(E)	28 #5	19'-3"	□
s121(E)	12 #5	9'-8"	┌
s122(E)	6 #5	10'-8"	┌
s123(E)	18 #5	9'-8"	┌
u120(E)	8 #6	9'-4"	┌
u121(E)	38 #4	5'-10"	┌
u120(E)	56 #5	2'-10"	—
Reinforcement Bars, Epoxy Coated	Pound	3,980	
Concrete Removal	Cu. Yd.	14.1	
Concrete Structures	Cu. Yd.	66.6	
Epoxy Crack Sealing	Foot	6	

- NOTES:**
- Space reinforcement in pier seat to miss anchor bolts.
  - Contractor to verify dimensions of existing pier.
  - Cost for drilling and epoxy grouting u120(E) bars included in cost of Reinforcement Bars, Epoxy Coated.

DESIGNED	AEU
CHECKED	RGD
DRAWN	WJH
CHECKED	NRF

**ELEVATION**  
Looking East  
\*Measured Along C of Pier

**SMITH ENGINEERING CONSULTANTS, INC.**  
CIVIL STRUCTURAL ENGINEERS AND SURVEYORS  
2001 West Main Street, Suite 200  
Aurora, IL 60009  
Tel: 630-595-8800 Fax: 630-595-8801

REVISIONS	
NAME	DATE

CITY OF AURORA  
PIER 1 DETAILS  
ILLINOIS AVENUE  
OVER THE FOX RIVER  
SECTION NO. 03-00247-00-BR  
KANE COUNTY  
STRUCTURE NO. 045-6009  
DATE T-28-2006