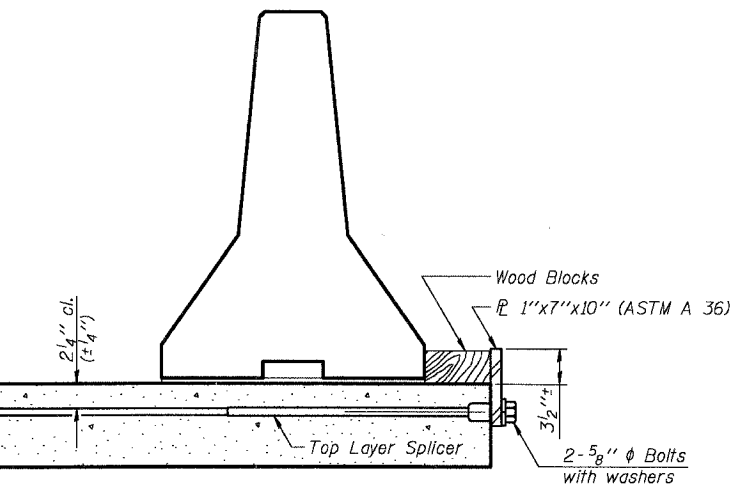
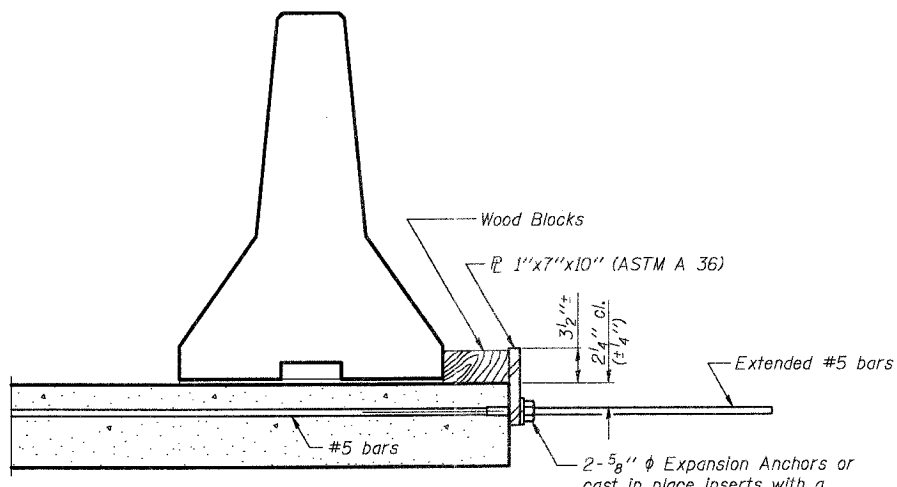


SECTIONS THRU SLAB



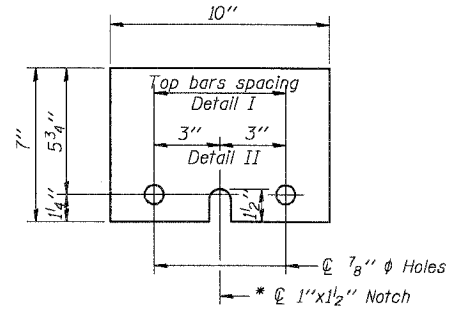
DETAIL I

The 1"x7"x10" Plate shall not be removed until Stage II Construction forms and reinforcement bars are in place.



DETAIL II

The 1"x7"x10" Plate shall not be removed until Stage II Construction forms and all reinforcement bars are in place and the concrete is ready to be placed.



1" x 7" x 10"

* Required only with Detail II

NOTES

- Detail I - With Bar Splicer or Couplers:
Connect one (1) 1"x7"x10" steel plate to the top layer of couplers with 2-5/8" φ bolts screwed to coupler at approximate center of each barrier panel.
 - Detail II - With Extended Reinforcement Bars:
Connect one (1) 1"x7"x10" steel plate to the concrete slab with 2-5/8" φ Expansion Anchors or cast in place inserts spaced between the top layer of reinforcement at approximate center of each barrier panel.
- Cost of anchorage is included with Temporary Concrete Barrier.

DESIGNED	AEU
CHECKED	RGD
DRAWN	WJH
CHECKED	NRF

SMITH ENGINEERING CONSULTANTS, INC.
CIVIL, STRUCTURAL, ELECTRICAL AND SURVEYORS
2001 W. Parkland Ave., Aurora, IL 60004
Tel: 708/485-1100 Fax: 708/485-1101

REVISIONS	
NAME	DATE

CITY OF AURORA

TEMPORARY CONCRETE BARRIER
ILLINOIS AVENUE
OVER THE FOX RIVER
SECTION NO. 03-00247-00-BR
KANE COUNTY
STRUCTURE NO. 045-6008

DATE 7-28-2006

PROJECT NAME: SEE PLAN
 PROJECT CONTACT: PROJECT CONTACT
 DRAWN BY: WJH
 CHECKED BY: NRF
 DATE: 7-28-2006