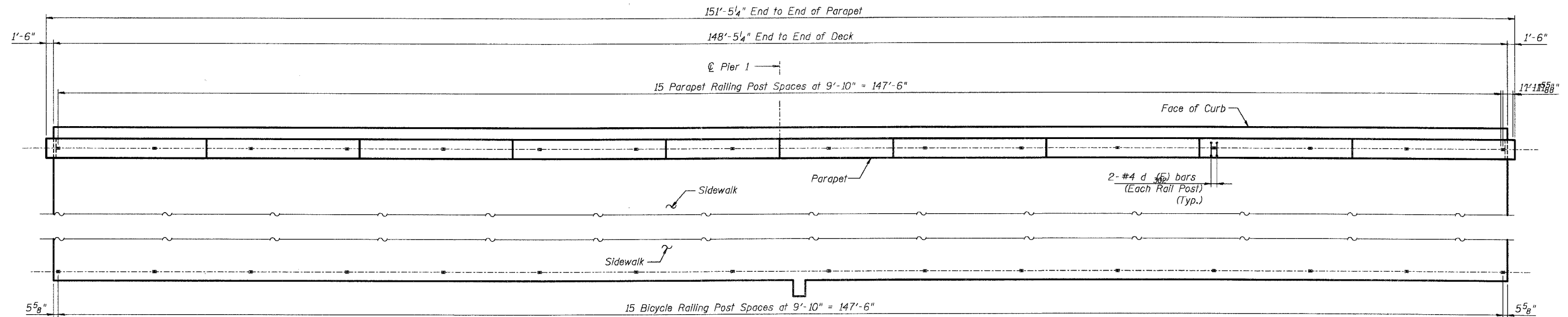
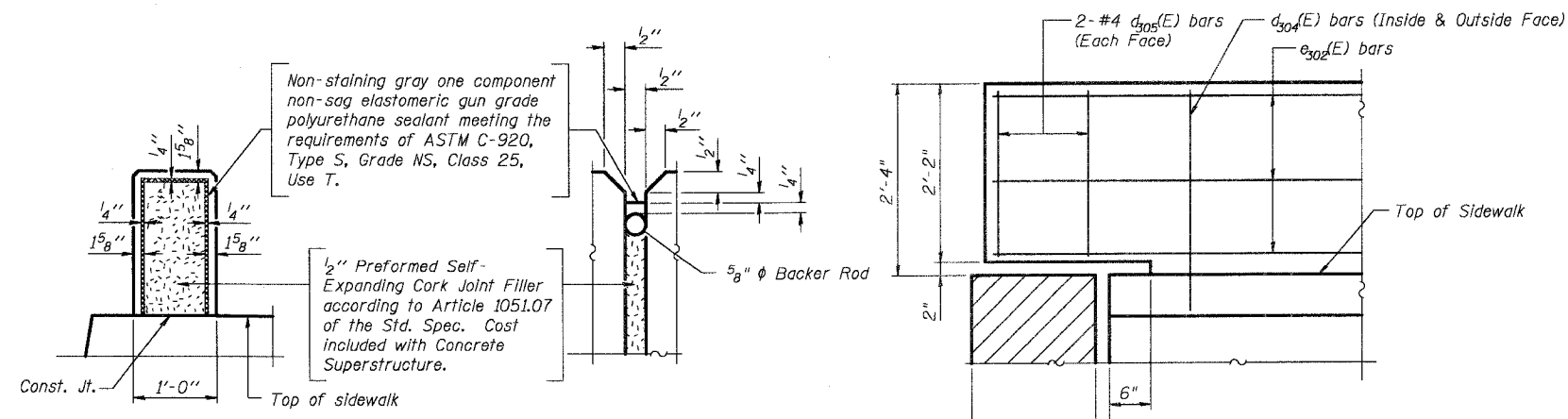


INSIDE ELEVATION OF SOUTH PARAPET

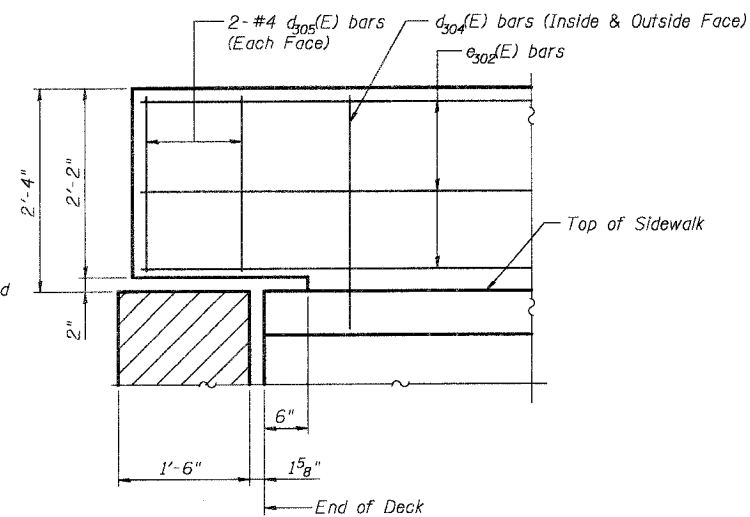
Spacing for Self-expanding Cork Sheeted Construction Joints in Parapet.



TOP PLAN OF SHARED USE PATH



SOUTH PARAPET JOINT DETAILS



DETAIL 1

Typical at both ends of Parapet

Notes:
Work this Sheet with Sheets SE-10, SE-11 & SE-14.
For parapet railing details see Sheet SE-11.
For light pole support details see Sheet SE-14.

DESIGNED	AEU
CHECKED	RGD
DRAWN	WJH
CHECKED	NRF



REVISIONS	
NAME	DATE

CITY OF AURORA
SUPERSTRUCTURE DETAILS III
ILLINOIS AVENUE
OVER THE FOX RIVER
SECTION NO. 03-00247-00-BR
KANE COUNTY
STRUCTURE NO. 045-6008

DATE 7-28-2006

PROJECT NO. 03-00247-00-BR
 PROJECT CONTACT: WJH@SMITH-ENG.COM
 DATE: 7-28-2006
 PROJECT LOCATION: ILLINOIS AVENUE OVER THE FOX RIVER
 PROJECT NO. 03-00247-00-BR
 SHEET NO. SE-13 OF 27 SHEETS