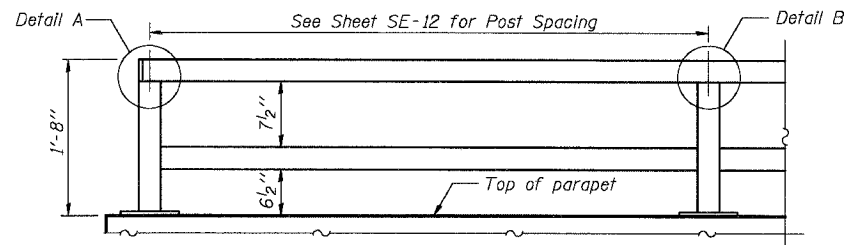
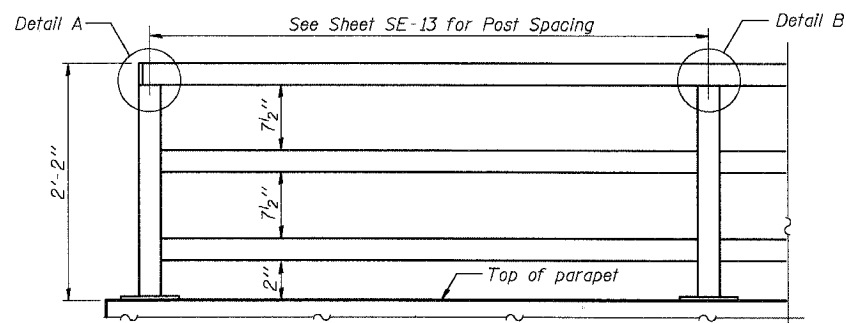


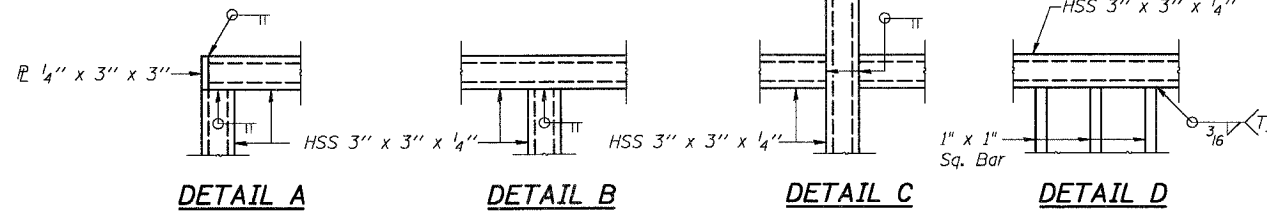
**BICYCLE RAILING**



**PARAPET RAILING ELEVATION**  
(Inside Face of Two Element Rail)



**PARAPET RAILING ELEVATION**  
(Inside Face of Three Element Rail)

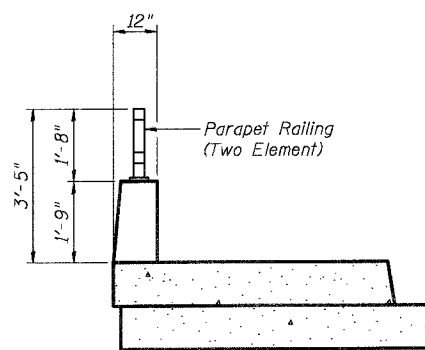


**DETAIL A**

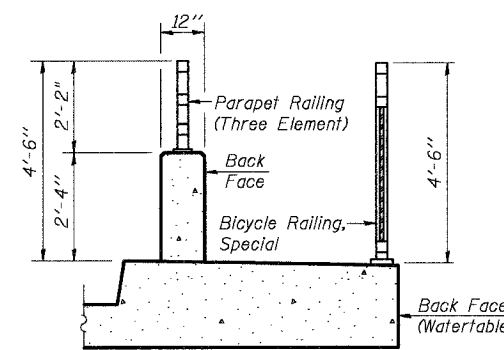
**DETAIL B**

**DETAIL C**

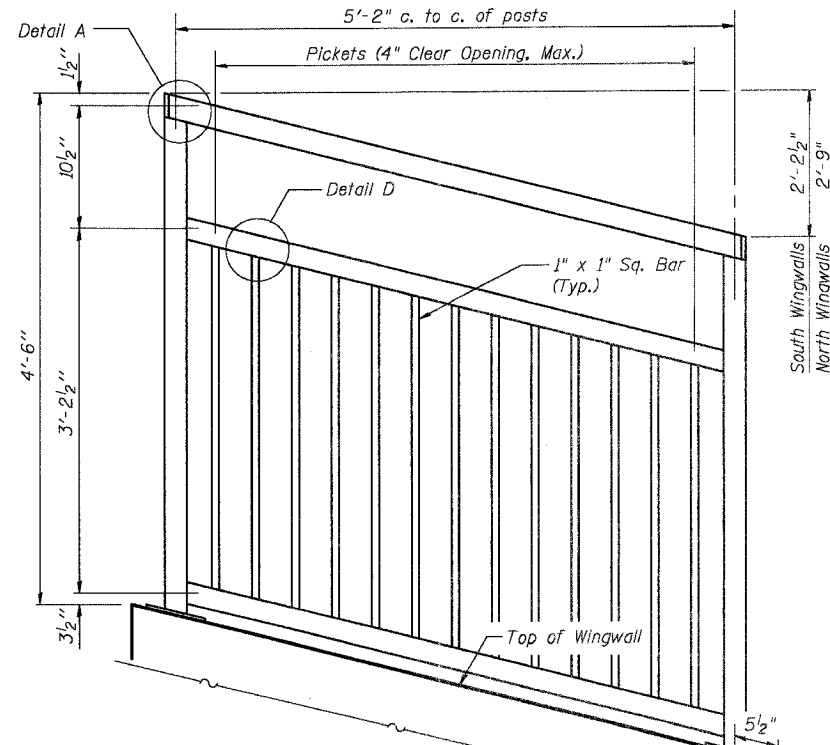
**DETAIL D**



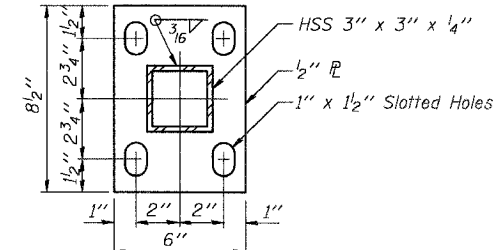
**SECTION THRU SIDEWALK**



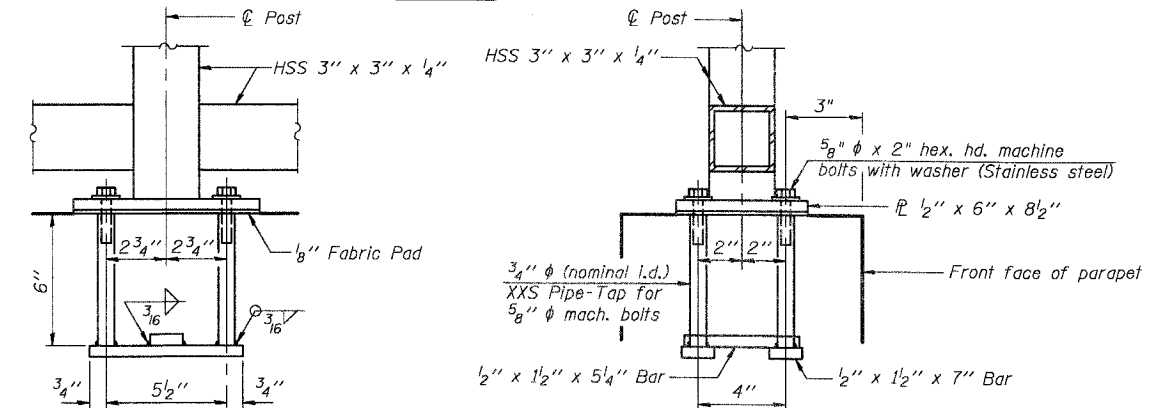
**SECTION THRU SHARED USE PATH**



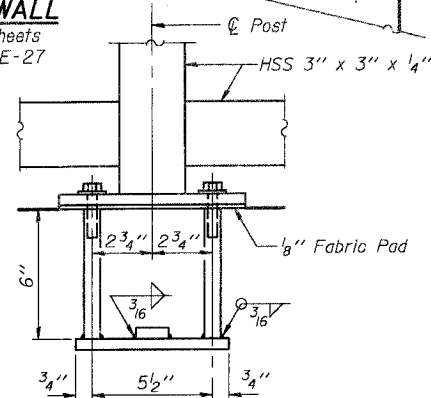
**BICYCLE RAILING ON WINGWALL**  
Work with Sheets SE-24 to SE-27



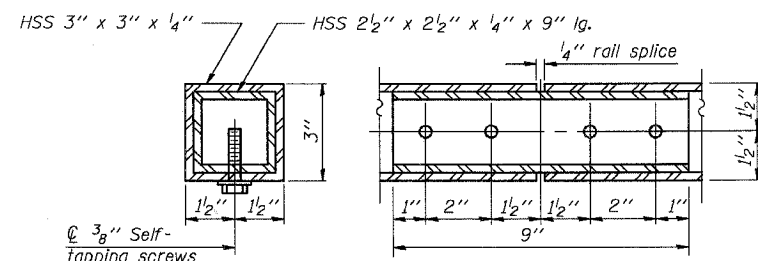
**BASE PL**



**ANCHOR BOLT DETAILS**  
Parapet Railings



**ANCHOR BOLT DETAILS**  
Bicycle Railing



**RAIL SPLICE**

DESIGNED	AEU
CHECKED	RGD
DRAWN	WJH
CHECKED	NRF

**NOTES**

Railing shall be according to Section 509 of the Standard Specifications, except as noted, and will be paid for at the Contract Unit Price per foot for Bicycle Railing, Special or Parapet Railing.

Allow structural sections shall conform to the requirements of ASTM designation A 500, Grade B, structural steel tubing.

All other steel shapes and plates shall conform to the requirements of AASHTO M 270 Grade 36.

The Three Element Parapet Railing, furnished and installed shall not be paid for separately but shall be included in the unit bid price for Bicycle Railing, Special.

If the option of drilling and epoxy grouting the anchor rods is chosen, the Contractor shall use the capsule or the adhesive cartridge type anchor rods that have been previously tested and given a prior approval by the Department. The Contractor shall install these anchor rods in pre-drilled holes according to the manufacturer's recommendations and procedures. The capsule or the adhesive cartridge shall be sealed with pre-measured amounts of the adhesive chemical.

Space reinforcement to miss anchor rods.

All post, railing, pickets, splices, and anchor devices shall be powder coated black. The powder coating system to be used shall be approved by the engineer prior to the coating process.

In lieu of the cast-in-place anchor device shown, the Contractor has the option of drilling and epoxy grouting 5/8" phi anchor rods. Embedment shall be according to the manufacturer's specifications.

**BILL OF MATERIAL**

Item	Unit	Quantity
Bicycle Railing, Special	Foot	148
Parapet Railing	Foot	148

SMITH ENGINEERING CONSULTANTS, INC.  
CIVIL/STRUCTURAL ENGINEERS AND SURVEYORS  
1111 FARMERSVILLE ROAD  
AURORA, ILLINOIS 60009-3000  
TEL: (708) 485-8800 FAX: (708) 485-8801

REVISIONS	
NAME	DATE

CITY OF AURORA  
BRIDGE RAILING DETAILS  
ILLINOIS AVENUE  
OVER THE FOX RIVER  
SECTION NO. 03-00247-00-BR  
KANE COUNTY  
STRUCTURE NO. 045-6008  
DATE T-28-2006