

**NOTES:**

Work this sheet with sheet SE-26.

Space reinforcement in abutment seat to miss anchor bolts.

Contractor to field verify dimensions of existing abutment and wingwalls and locations of existing storm pipe in wingwall.

Existing reinforcement extending into removal area shall be cleaned, straightened and incorporated into the new construction. Cost included in pay item "Concrete Removal".

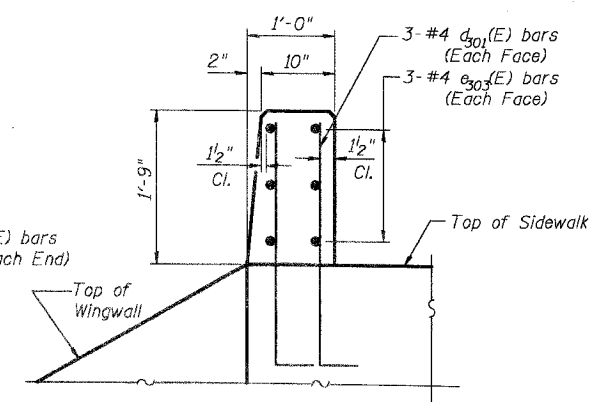
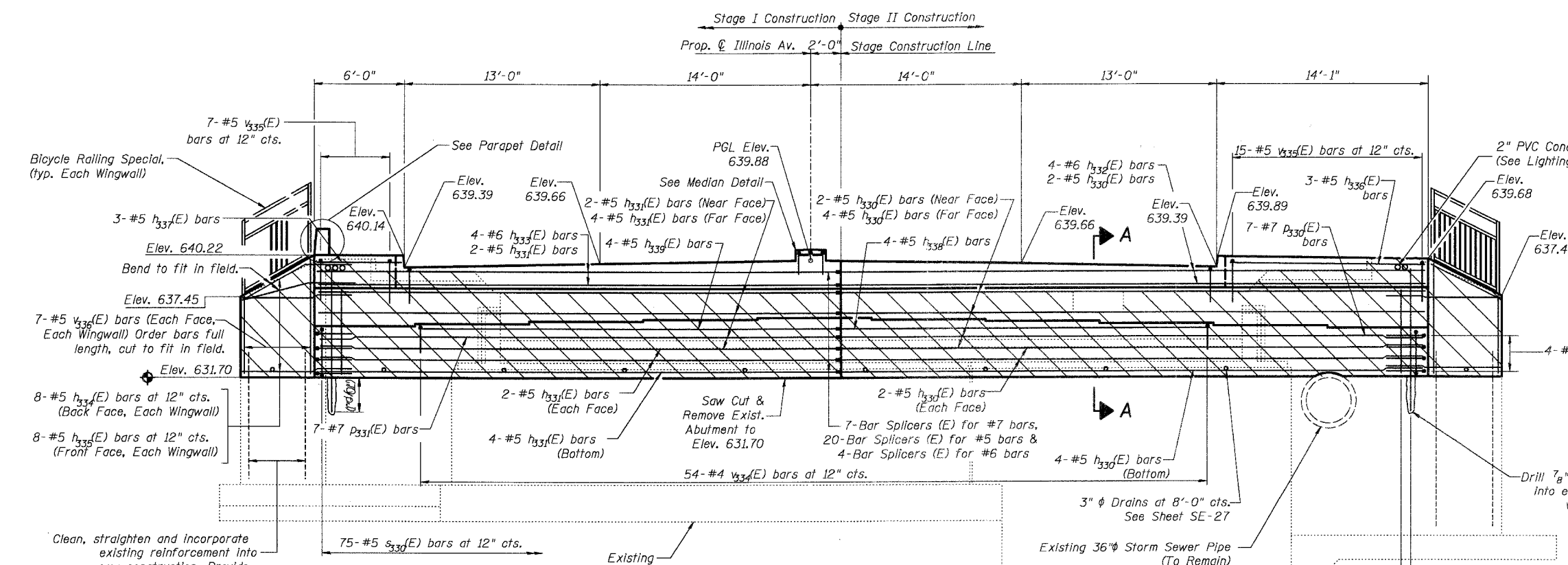
Drill and epoxy grout #5  $v_{330}(E)$  bars in drilled holes with a minimum depth of 12" according to Article 584 of the Standard Specs.

Pour steps monolithically with abutment cap. All edges shall have standard  $\frac{3}{4}$ " chamfers except as noted.

All elevations given at back of abutment unless noted otherwise.

See Sheet SE-26 for Section A-A.

See Sheet SE-17 for Bicycle Railing, Special Detail.



DESIGNED	AEU
CHECKED	RGD
DRAWN	WJH
CHECKED	NRF

**BEAM SEAT ELEVATION TABLE**

Beam #	1E	2E	3E	4E	5E	6E	7E	8E	9E	10E
Seat Elevation	635.74	635.89	636.05	636.18	636.29	636.17	636.04	635.88	635.73	635.57

**SMITH ENGINEERING CONSULTANTS, INC.**  
CIVIL, STRUCTURAL, ELECTRICAL AND SURVEYING

**REVISIONS**

NAME	DATE

CITY OF AURORA

EAST ABUTMENT PLAN AND ELEVATION  
OVER THE FOX RIVER  
SECTION NO. 03-00247-00-BR  
KANE COUNTY  
STRUCTURE NO. 045-6008

DATE 7-28-2006

COMPANY NAME, SEC. INC.  
 PROJECT CONTACT: PROJECT CONTACT  
 ADDRESS: ADDRESS  
 PHONE: PHONE  
 FAX: FAX  
 E-MAIL: E-MAIL  
 WWW: WWW