

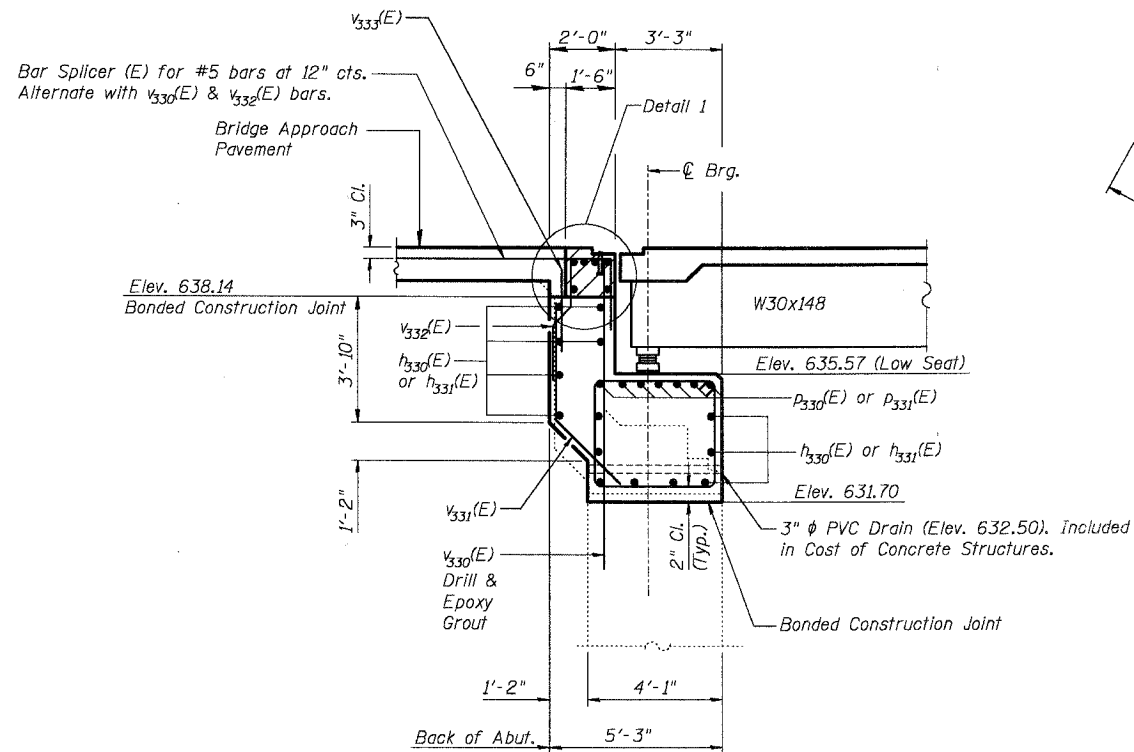
ELEVATION
Looking East

LEGEND

	Indicates Concrete Removal Areas
	Indicates Epoxy Crack Sealing
	Indicates Structural Repair of Concrete

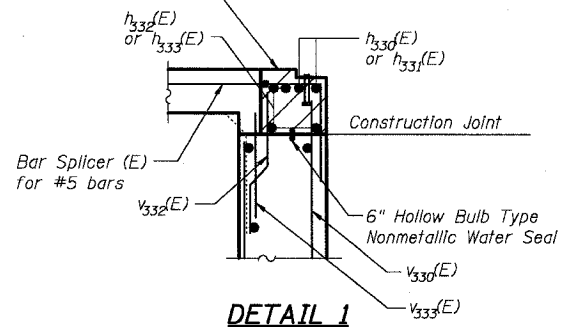
**BILL OF MATERIAL
EAST ABUTMENT**

Bar	No.	Size	Length	Shape
d ₃₀₁ (E)	6	#6	3'-9"	┌
e ₃₀₃ (E)	6	#4	1'-8"	—
h ₃₃₀ (E)	16	#5	38'-10"	—
h ₃₃₁ (E)	16	#5	34'-8"	—
h ₃₃₂ (E)	4	#6	38'-10"	—
h ₃₃₃ (E)	4	#6	34'-8"	—
h ₃₃₄ (E)	16	#5	8'-9"	└
h ₃₃₅ (E)	16	#5	9'-0"	└
h ₃₃₆ (E)	3	#5	13'-9"	—
h ₃₃₇ (E)	3	#5	5'-8"	—
h ₃₃₈ (E)	4	#5	16'-10"	—
h ₃₃₉ (E)	4	#5	20'-3"	—
h ₃₄₀ (E)	3	#5	1'-2"	—
h ₃₄₁ (E)	3	#5	1'-8"	—
p ₃₃₀ (E)	7	#7	38'-10"	—
p ₃₃₁ (E)	7	#7	34'-8"	—
s ₃₃₀ (E)	75	#5	15'-5"	└
u ₃₃₀ (E)	8	#5	7'-11"	┌
v ₃₃₀ (E)	75	#5	8'-6"	—
v ₃₃₁ (E)	75	#5	7'-1"	└
v ₃₃₂ (E)	54	#5	2'-6"	└
v ₃₃₃ (E)	54	#5	2'-4"	—
v ₃₃₄ (E)	54	#4	5'-7"	—
v ₃₃₅ (E)	22	#5	9'-8"	—
v ₃₃₆ (E)	28	#5	8'-0"	—
v ₃₃₇ (E)	6	#5	2'-10"	└
Reinforcement Bars, Epoxy Coated		Pound	6,720	
Concrete Removal		Cu. Yd.	41.2	
Concrete Structures		Cu. Yd.	74.0	
Structure Excavation		Cu. Yd.	53	
Bridge Seat Sealer		Sq. Ft.	241	
Epoxy Crack Sealing		Foot	9	
Structural Repair of Concrete (Less than or equal to 5")		Sq. Ft.	16	
Bicycle Railing Special		Foot	11	



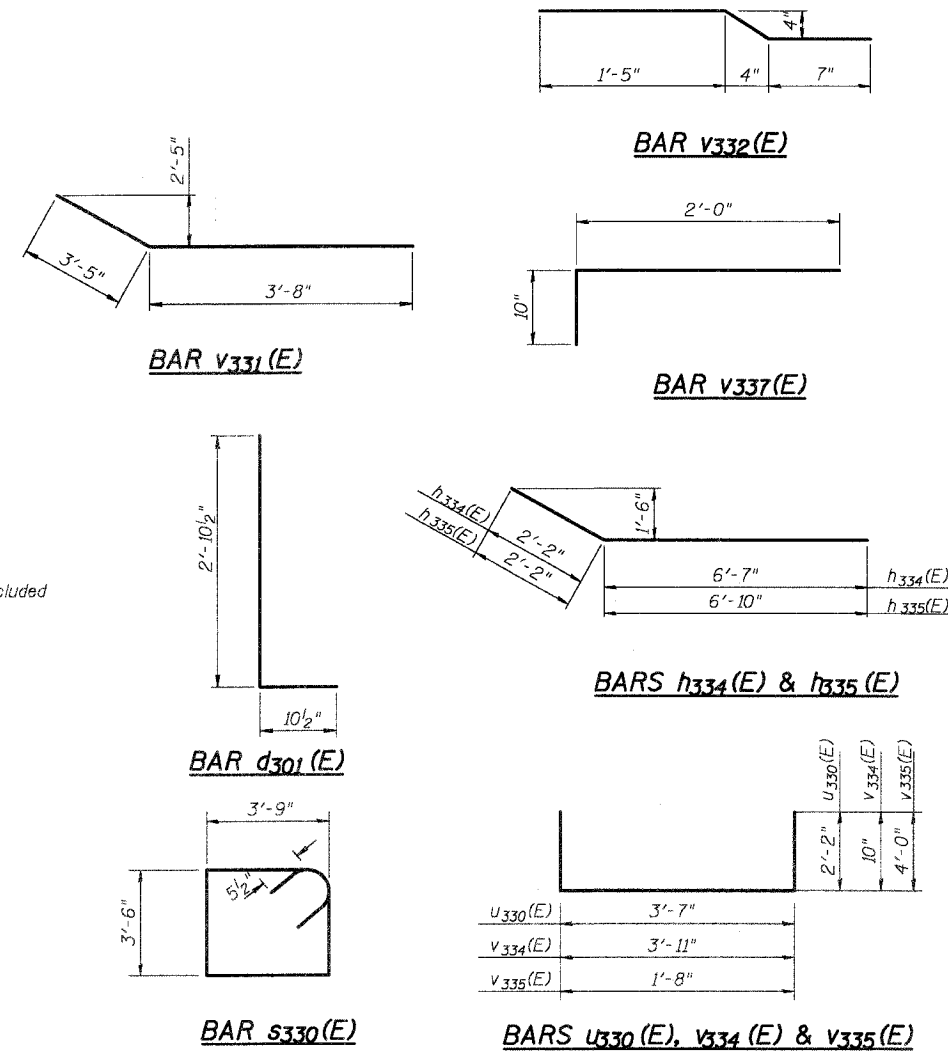
SECTION A-A

Hatched area to be poured after superstructure falsework has been removed. Quantity of concrete included with Concrete Superstructure.



DETAIL 1

DESIGNED	AEU
CHECKED	RGD
DRAWN	WJH
CHECKED	NRF



NOTES:

- Reinforcement bars designated (E) shall be epoxy coated.
- Work this sheet with sheet SE-25.
- See Sheet SE-2 for abutment drainage detail.

SMITH ENGINEERING CONSULTANTS, INC.
ILLINOIS AVENUE
OVER THE FOX RIVER
SECTION NO. 03-00247-00-BR
KANE COUNTY
STRUCTURE NO. 045-6008

REVISIONS	
NAME	DATE

CITY OF AURORA	
EAST ABUTMENT DETAILS	
ILLINOIS AVENUE	
OVER THE FOX RIVER	
SECTION NO. 03-00247-00-BR	
KANE COUNTY	
STRUCTURE NO. 045-6008	
DATE	7-28-2006