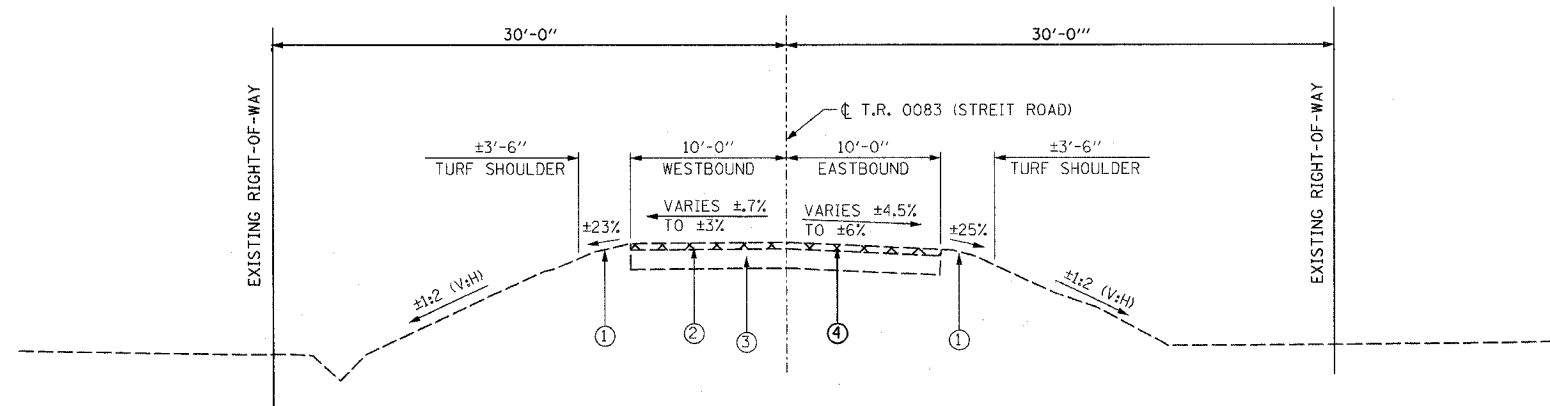


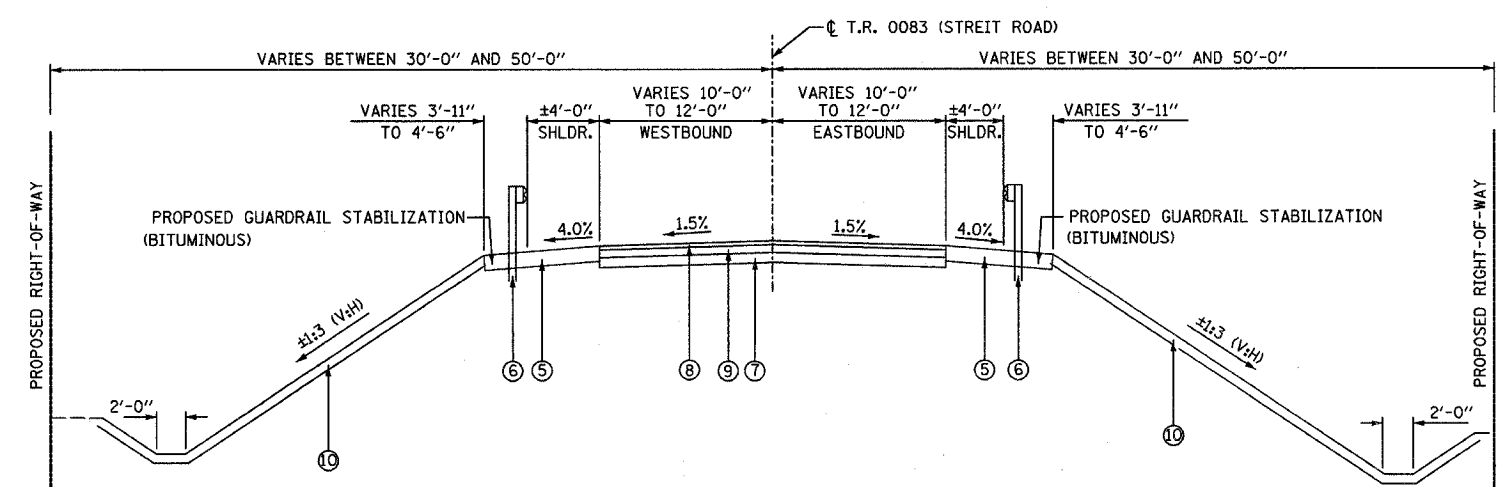
F.A. RTE.	SECTION	COUNTY	TOTAL SHEETS	SHEET NO.
0083 02-00270-00-BR		MCHENRY	37	5
STA.	TO STA.			
FED. ROAD DIST. NO.	ILLINOIS	FED. AID PROJECT		
CONTRACT NO.: 83872				



EXISTING TYPICAL SECTION
STA. 95+78 - STA. 99+35

LEGEND

- ① EXISTING TURF SHOULDER
- ② EXISTING BITUMINOUS CONCRETE (VARIES BETWEEN 1.5" AND 2.5")
- ③ EXISTING AGGREGATE BASE COURSE, 8"
- ④ BITUMINOUS SURFACE REMOVAL (VARIED DEPTH)
- ⑤ PROPOSED AGGREGATE SHOULDER, TYPE B, 4" MIN.
- ⑥ STEEL PLATE BEAM GUARDRAIL, TYPE A
- ⑦ SUB-BASE GRANULAR MATERIAL, TYPE B, 8" MIN.
- ⑧ BITUMINOUS CONCRETE SURFACE COURSE, SUPERPAVE, MIX "C", N50, 2"
- ⑨ BITUMINOUS CONCRETE BINDER COURSE, SUPERPAVE, IL-19, N50, 2.25"
- ⑩ TOPSOIL, FURNISH AND PLACE, 4"



PROPOSED TYPICAL SECTION
STA. 98+60 - STA. 99+35
STA. 100+65 - STA. 101+40

STRUCTURAL PAVEMENT DESIGN INFORMATION

(IN ACCORDANCE WITH IDOT LOCAL ROADS.)

STRUCTURAL DESIGN TRAFFIC:
DESIGN YEAR: 2030
DESIGN YEAR ADT: 600
88% P.V., 7.0% S.U., 5.0% M.U.

ROAD/STREET CLASSIFICATION: CLASS III
TRAFFIC FACTOR: 0.131
SUBGRADE SUPPORT RATING: POOR
STRUCTURAL NUMBER, D+ = 2.5

PAVEMENT STRUCTURE MATERIALS:
SURFACE COURSE TYPE: BITUMINOUS; a1 = 0.44
BASE COURSE TYPE: BITUMINOUS; a2 = 0.33
SUBBASE TYPE: AGGREGATE (CRUSHED); a3 = 0.11

BITUMINOUS MIXTURE - CONTROL TABLE

MIXTURE USE	BITUMINOUS CONCRETE SURFACE COURSE, SUPERPAVE, MIX "C", N50	BITUMINOUS CONCRETE BINDER COURSE, SUPERPAVE, IL-19, N50	BITUMINOUS STABILIZATION 6" AT STEEL PLATE BEAM GUARDRAIL
AC	PG 64-22	PG 58-22	PG 58-22
RAP % (MAX)	15%	25%	25%
PERCENT AIR VOIDS	4.0% @ 50 GYR	4.0% @ 50 GYR	4.0% @ 50 GYR

NOTE: SURFACE AND BINDER INCLUDES SHOULDER
NOTE: THE UNIT WEIGHT USED TO CALCULATE BUTUMINOUS SURFACE MIXTURE IS 112 LB./SQ. YD. PER INCH THICKNESS

TIME:

DATE:

FILENAME: s:\05_001--83872\002\micras\clients-roadway\typical sections.dgn



REVISIONS		ILLINOIS DEPARTMENT OF TRANSPORTATION TYPICAL WEST APPROACH SECTIONS T.R. 0083 (STREIT ROAD) OVER NORTH BRANCH OF THE KISHAWKEE RIVER T.R. 0083 SECTION 02-00270-00-BR MCHENRY COUNTY S.N. 056-3067
NAME	DATE	
		SCALE: VERT. DRAWN BY JBH HORIZ. CHECKED BY AJS DATE 8/8/2006