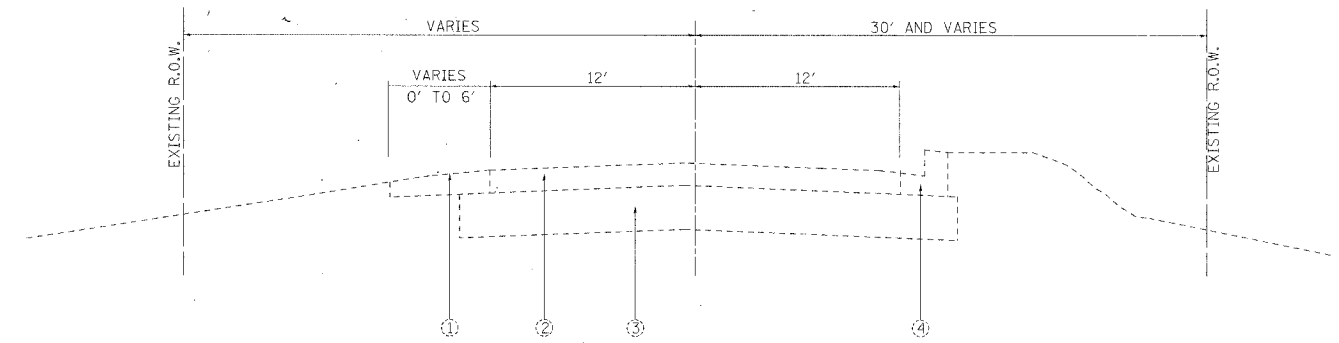


F.A. RTE.	SECTION	COUNTY	TOTAL SHEETS	SHEET NO.
2666	00-00254-01-BR	LAKE	70	6
STA. N/A		TO STA. N/A		
FED. ROAD DIST. NO.		ILLINOIS FED. AID PROJECT		

PROJECT NO. BHM-8003(213)  
CONTRACT NO. 83875

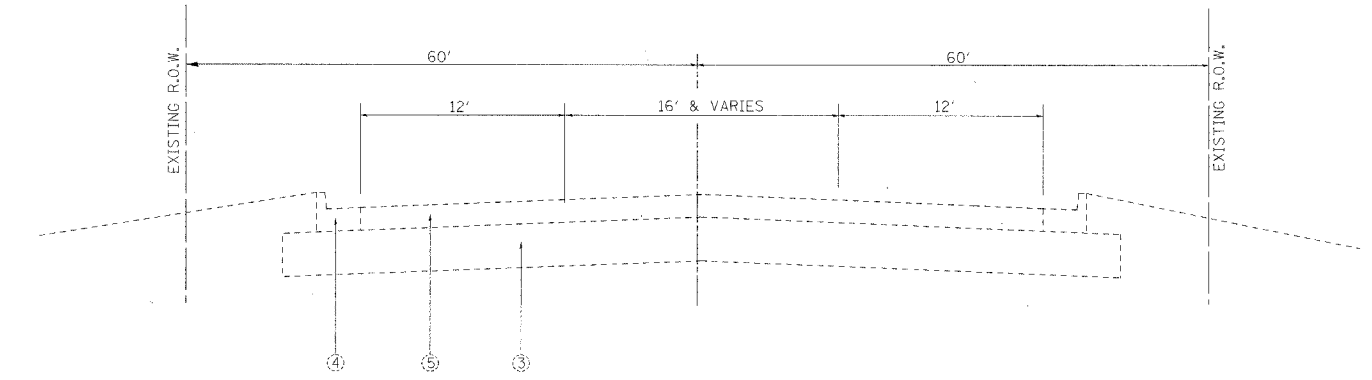
PLAN	DATE
BY	
REVISIONS	
NOTED	
CHECKED	
DATE	
BY	
FILE NAME	

PROFILE	DATE
BY	
REVISIONS	
NOTED	
CHECKED	
DATE	
BY	
FILE NAME	

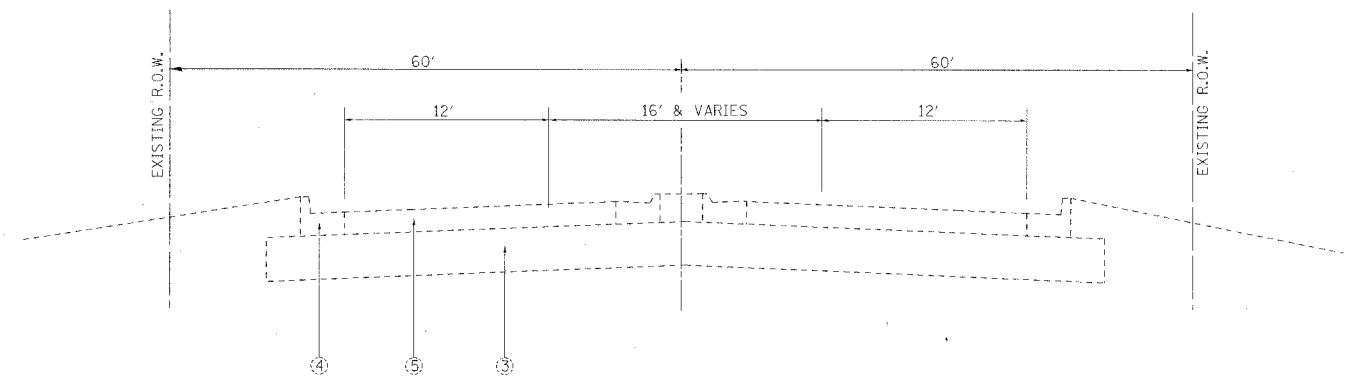


**EXISTING PRAIRIE ROAD NORTH OF INDIAN CREEK**  
STA. 102+51.10 TO STA. 106+85

- EXISTING LEGEND**
- ① EXISTING AGGREGATE SHOULDER -WIDTH VARIES 0' TO 6'
  - ② EXISTING BITUMINOUS PAVEMENT
  - ③ EXISTING SUB-BASE
  - ④ EXISTING CONCRETE CURB AND GUTTER, TYPE B-6.24
  - ⑤ EXISTING PCC PAVEMENT



**EXISTING BUFFALO GROVE ROAD SOUTH OF INDIAN CREEK**  
STA. 98+65.37 TO STA. 100+48.90



**EXISTING BUFFALO GROVE ROAD SOUTH OF INDIAN CREEK**  
STA. 98+50 TO STA. 98+65.37

REVISIONS	
NAME	DATE

ILLINOIS DEPARTMENT OF TRANSPORTATION  
**TYPICAL SECTIONS**  
BUFFALO GROVE ROAD



SCALE: VERT.: N.T.S.  
HORIZ.: N.T.S.  
DATE: 7/21/06  
DRAWN BY: SNH  
CHECKED BY: PWK

I:\alaco\0220113\draw\sheetstypical-1.dgn