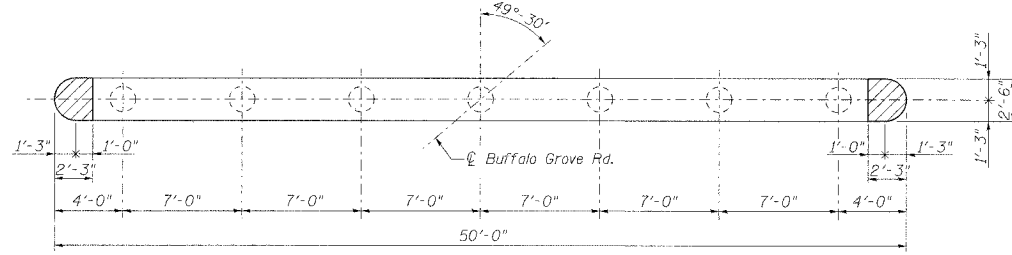
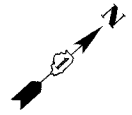
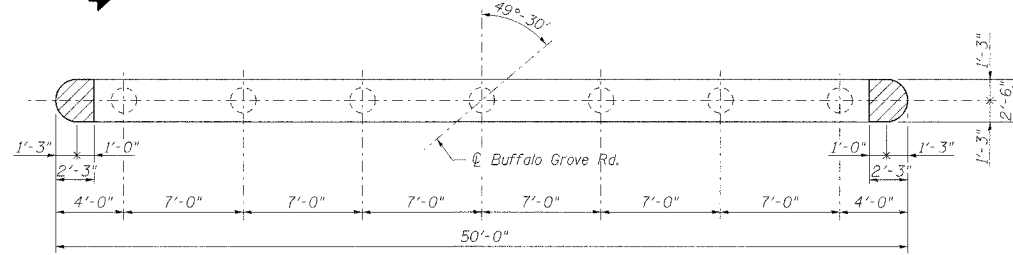
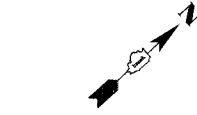


F.A. RTE.	SECTION	COUNTY	TOTAL SHEETS	SHEET NO.
2666	00-00254-01-BR	LAKE	70	42
STA. 98+50	TO STA. 107+57			
FED. ROAD DIST. NO.	ILLINOIS	FED. AID PROJECT		

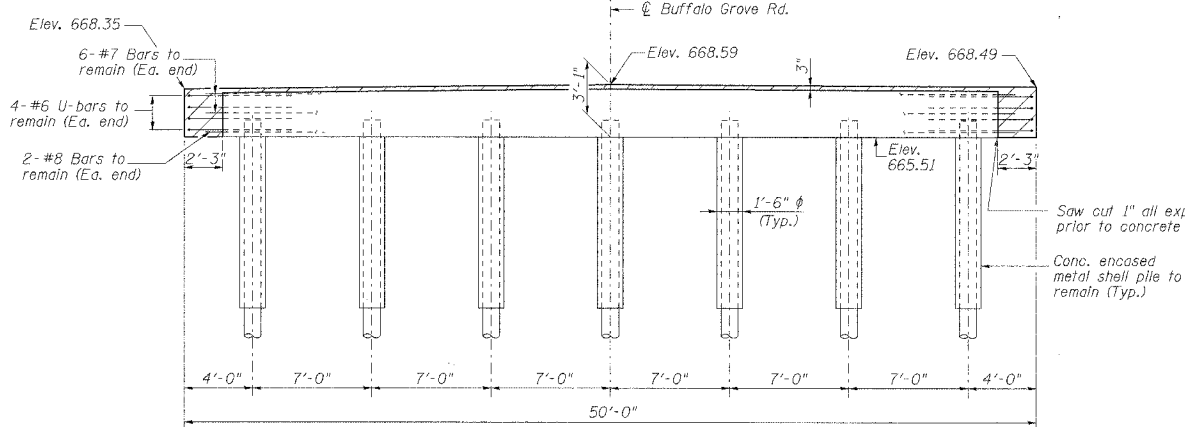
Sheet 19 of 35 Sheets
 PROJECT NO. BHM-8003(213)
 CONTRACT NO. 83875



PLAN-SOUTH PIER



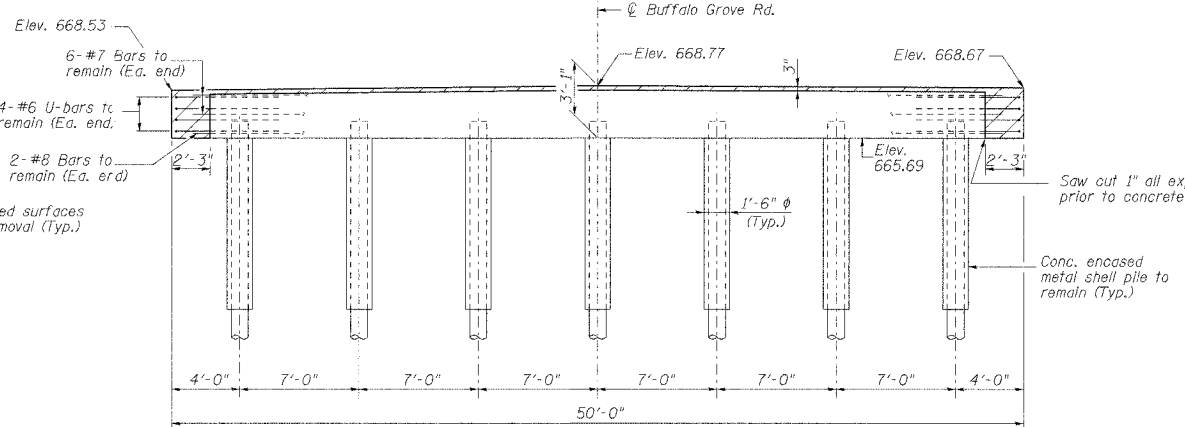
PLAN-NORTH PIER



ELEVATION-SOUTH PIER

**SOUTH PIER
BILL OF MATERIAL**

Item	Unit	Quantity
Concrete Removal	Cu. Yd.	2.1



ELEVATION-NORTH PIER

**NORTH PIER
BILL OF MATERIAL**

Item	Unit	Quantity
Concrete Removal	Cu. Yd.	2.1

LEGEND

Concrete Removal

NOTE:
 Concrete sawcutting shall be included in "Concrete Removal".

DATE: _____ BY: _____

REVISIONS:

NO.	DESCRIPTION

PLANNING: _____
 CHECKED: _____
 DATE: _____

DATE: _____ BY: _____

REVISIONS:

NO.	DESCRIPTION

PROFILE: _____
 CHECKED: _____
 DATE: _____

I:\lakeco\0220113\draws\sheet\struct-16-06\pier removal.dgn

REVISIONS	NAME	DATE

CRAWFORD MURPHY & TILLY, INC.
 CONSULTING ENGINEERS
 SPRINGFIELD, IL ■ AURORA, IL ■ ST. LOUIS, MO
 ROCKFORD, IL ■ PEORIA, IL ■ CHICAGO, IL

LAKE COUNTY DIVISION OF TRANSPORTATION
PIER CONCRETE REMOVAL
 BUFFALO GROVE ROAD
 AT INDIAN CREEK BRIDGE
 SECTION 00-00254-01-BR STATION 101+50.00
 LAKE COUNTY STRUCTURE NO. 049-3043
 SCALE: NONE DRAWN BY: TBW
 DATE: 7/21/06 CHECKED BY: ATI, WK