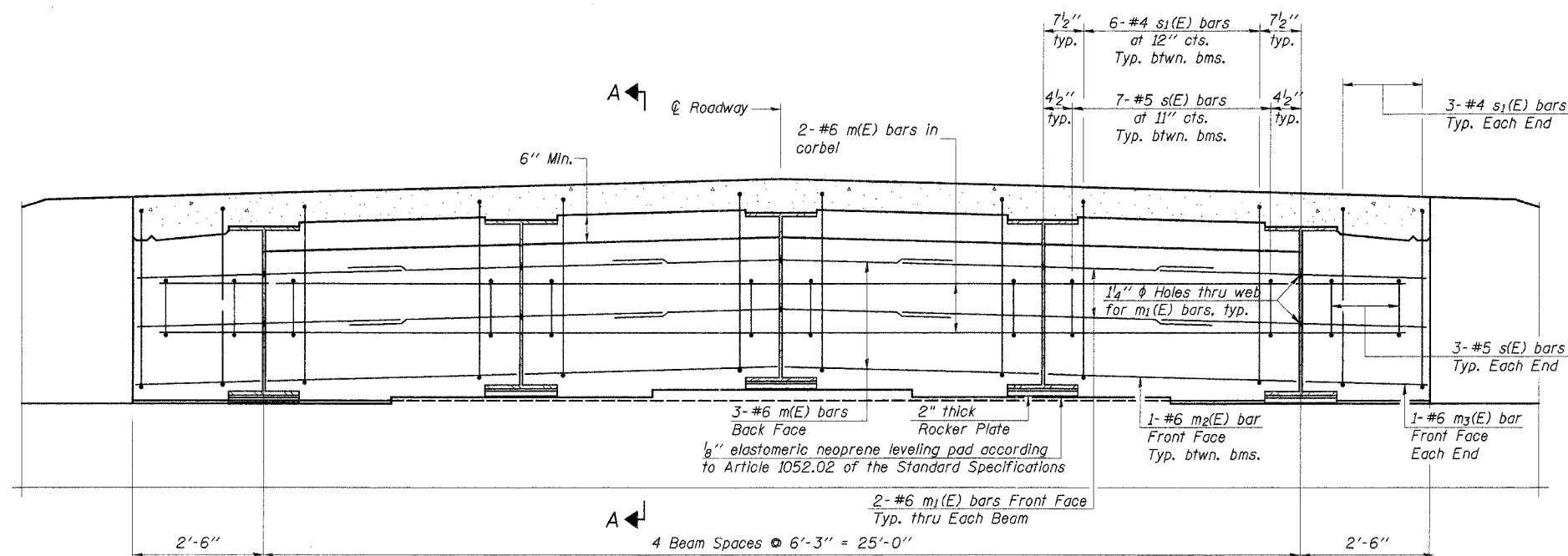


ROUTE NO.	SECTION	COUNTY	TOTAL SHEETS	SHEET NO.
C.H. 5	04-00163-00-BR	STEPHENSON	29	12
		ILLINOIS		

Sheet 7 of 20

CONTRACT NO. 85391



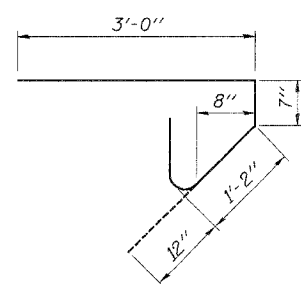
DIAPHRAGM ELEVATION AT ABUTMENT

(Dimensions @ Rt. L's @ Roadway)

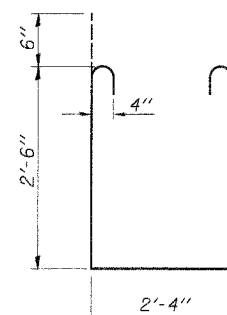
MIN. BAR LAP

#6 bar = 2'-0"

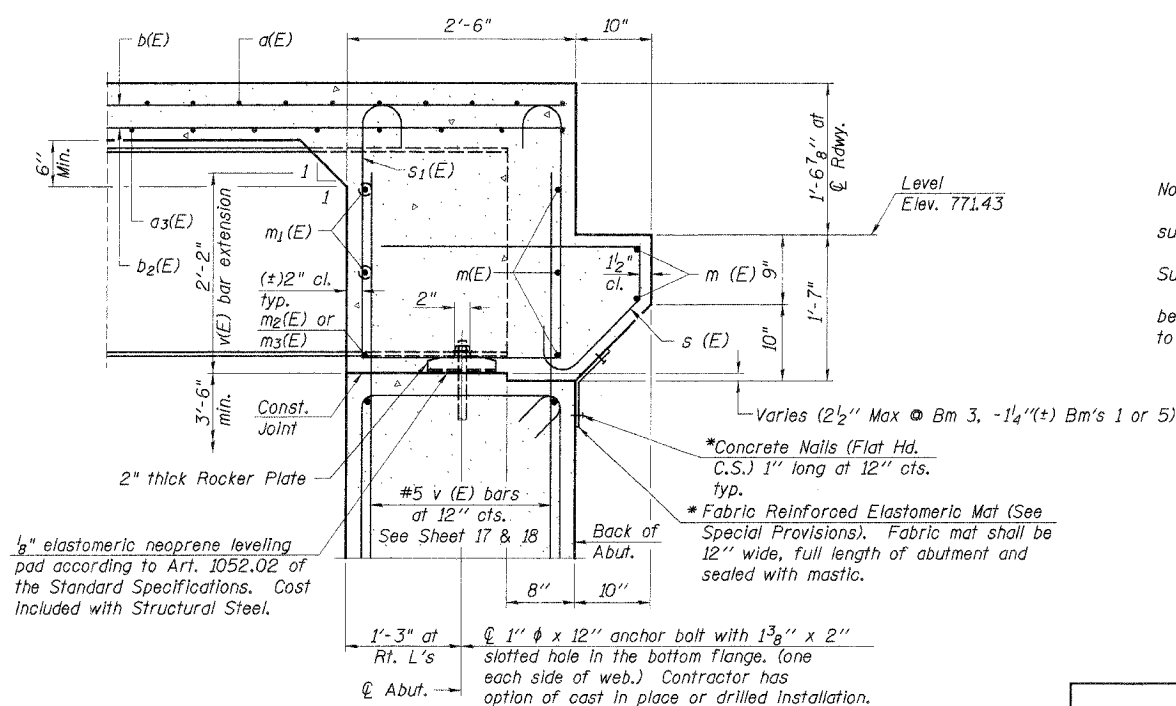
Notes:
 Reinforcement bars in diaphragm are billed with superstructure on sheet 6 of 20.
 Concrete in diaphragm is included with Concrete Superstructure on sheet 6 of 20.
 The s(E) and s1(E) bars shall be placed parallel to the beams. Spacing for these bars shall be at right angles to the beams.
 For anchor bolt details see sheet 12 of 20.



BAR s(E)



BAR s1(E)



SECTION A-A

Dimensions at right angles to abutment, except as shown.
 * Cost included with Concrete Superstructure.

Work this sheet with Sheet 6 of 20

SUPERSTRUCTURE DETAILS

SECTION 04-00163-00-BR
 F.A.S. ROUTE 60 - C.H. 5
 STEPHENSON COUNTY
 STATION 255+30

DESIGNED	A.R.K.
CHECKED	S.F.M. & F.J.S.
DRAWN	S.A.P.
CHECKED	A.R.K. & F.J.S.

SI-DS2 9-01-03

4440 ASH GROVE
 SPRINGFIELD, IL 62711
 (217) 793-8600
 casinc@insightbb.com

OZYURT AND STONE, INC.
 CONSULTING ENGINEERS

JOB NO.: 0527
 FILE: 0527SUPER2.DGN
 DATE: 03/07/06