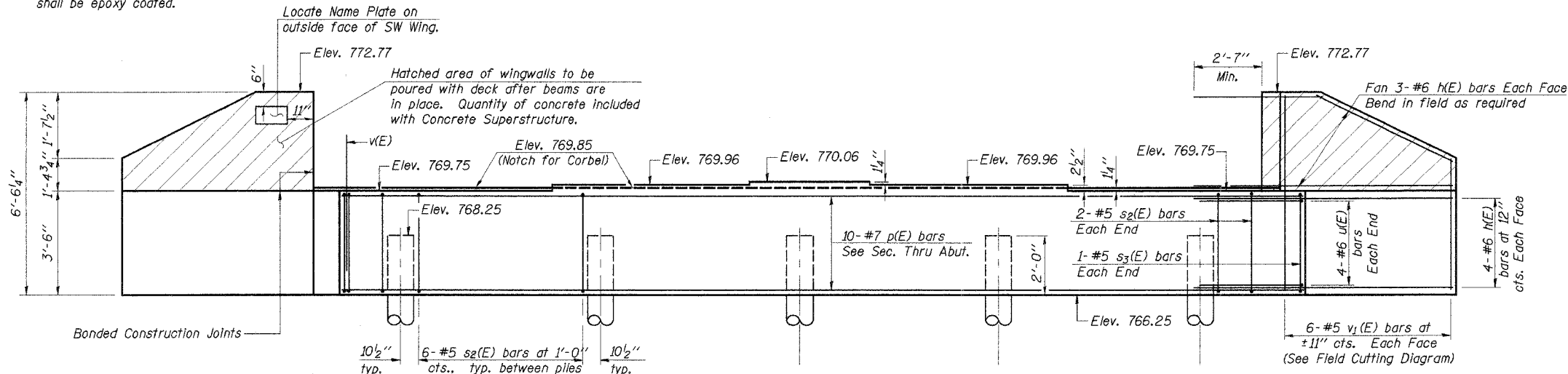


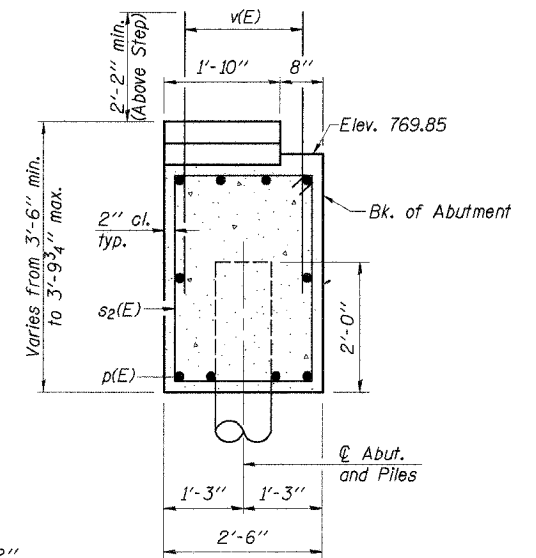
ROUTE NO.	SECTION	COUNTY	TOTAL SHEETS	SHEET NO.
C.H. 5	04-00163-00-BR	STEPHENSON	29	18
		ILLINOIS		

Sheet 13 of 20 CONTRACT NO. 85391

Notes: Pour steps monolithically with cap. Reinforcement bars designated (E) shall be epoxy coated.



**ELEVATION**  
(Looking West)



**SEC. THRU ABUT.**

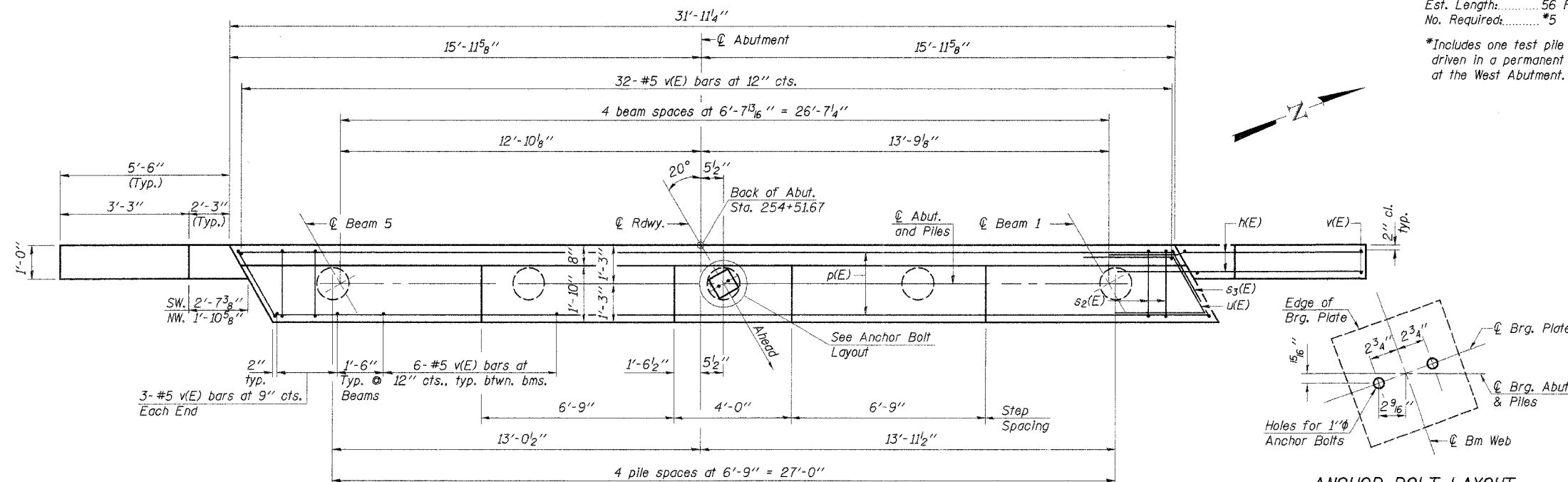
**PILE DATA**

Type: Metal Shell 12"  
Capacity: 50 Ton/Pile  
Est. Length: 56 Ft/Pile  
No. Required: \*5

\*Includes one test pile to be driven in a permanent location at the West Abutment.

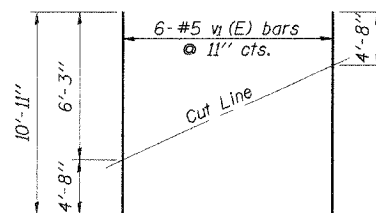
**BILL OF MATERIAL**

Bar No.	Size	Length	Shape
h(E)	#6	8'-0"	
p(E)	#7	31'-7"	
s2(E)	#5	11'-7"	
s3(E)	#5	11'-11"	
u(E)	#6	12'-3"	
v(E)	#5	4'-4"	
v1(E)	#5	10'-11"	
Concrete Structures	Cu. Yd.	11.9	
Reinforcement Bars, Epoxy Coated	Pound	2,050	
Structure Excavation	Cu. Yd.	83	
Name Plates	Each	1	
Furnishing Metal Pile Shells 12"	Feet	224	
Driving & Filling Shells	Feet	224	
Test Pile Metal Shell	Each	1	
Protective Coat	Sq. Yd.	5	
Pourus Granular Embankment (Special)	Cu. Yd.	38	
Geocomposite Wall Drain	Sq. Yd.	24	
Pipe Underdrains for Structures 4"	Foot	70	



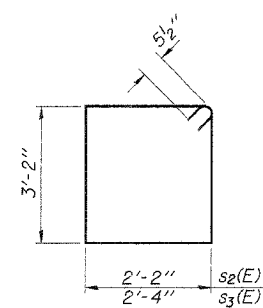
**PLAN**

**ANCHOR BOLT LAYOUT**

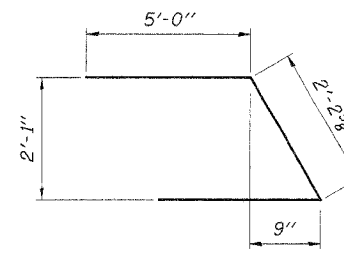


**FIELD CUTTING DIAGRAM**

Order v1(E) full length. Cut as shown and use remainder of bars in opposite face.



**BARS s2(E) & s3(E)**



**BAR u(E)**

DESIGNED	A.R.K.
CHECKED	S.F.M. & F.J.S.
DRAWN	S.A.P.
CHECKED	A.R.K. & F.J.S.

9-01-03

**WEST ABUTMENT**

SECTION 04-00163-00-BR  
F.A.S. ROUTE 60 - C.H. 5  
STEPHENSON COUNTY  
STATION 255+30

4440 ASH GROVE  
SPRINGFIELD, IL 62711  
(217) 793-8600  
oasinc@insightbb.com

**OZYURT AND STONE, INC.**  
CONSULTING ENGINEERS

JOB NO.: 0527  
FILE: 0527ABUT1.DGN  
DATE: 03/07/06