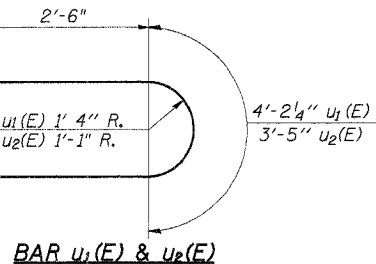


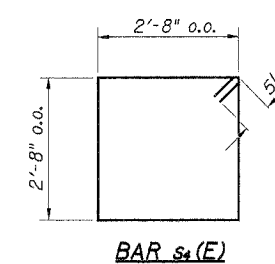
BAR s5(E)



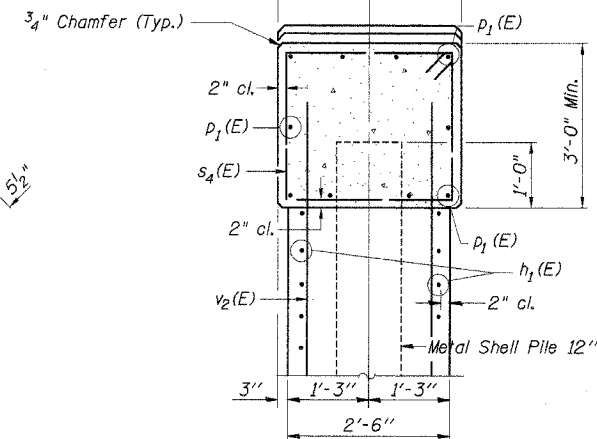
BAR u1(E) & u2(E)

MIN. BAR LAP

#5 ----- 1'-4"
 #6 ----- 1'-7"



BAR s4(E)



SECTION A-A

NOTES

- Space Reinforcement in cap to miss Anchor Bolts.
- Pour Steps monolithically with cap.
- All edges shall have the standard 3/4" Chamfer except as noted.
- Anchor Bolts at fixed bearings may be built into the masonry.

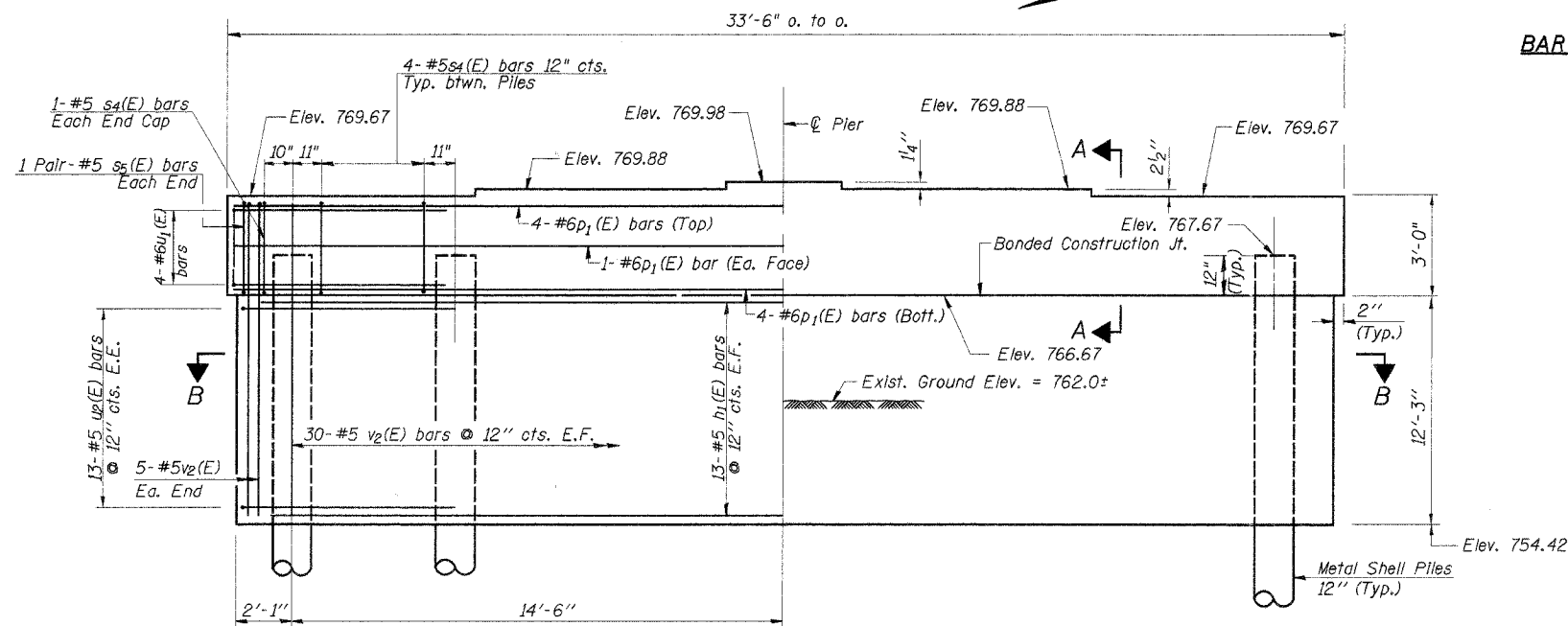
PILE DATA

Type: _____ Metal Pile Shell 12"
 Capacity: _____ 55 Ton/Pile
 Est. Length: _____ 42 Ft./Pile
 No. Required: _____ 7*
 * Includes 1 Test Pile to be driven in a permanent location.

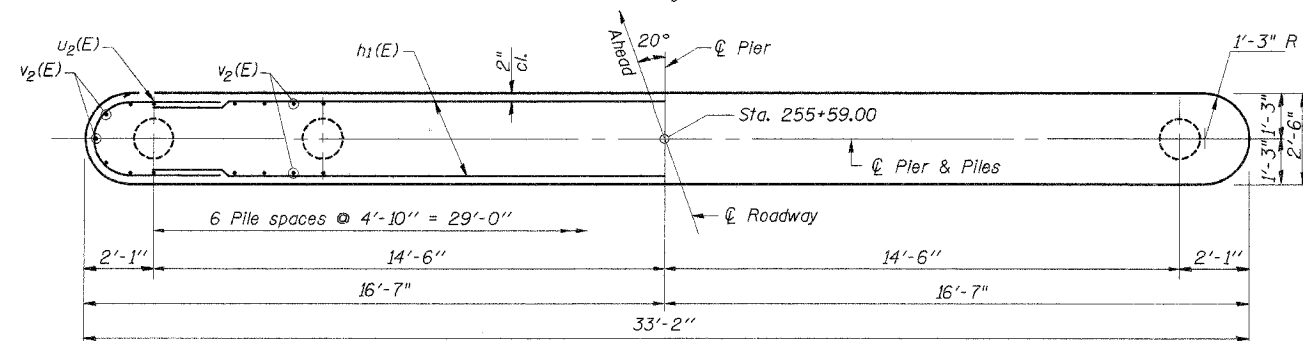
BILL OF MATERIAL

BAR	NO.	SIZE	LENGTH	SHAPE
h1(E)	26	#5	30'-8"	—
p1(E)	10	#6	30'-6"	—
s4(E)	26	#5	11'-7"	□
s5(E)	4	#5	6'-2"	□
u1(E)	8	#6	9'-3"	U
u2(E)	26	#5	8'-5"	U
v2(E)	70	#5	13'-7"	—
Concrete Structures			Cu. Yd.	45.7
Reinforcement Bars, Epoxy Coated			Pound	2,960
Furnishing Metal Pile Shells 12"			Foot	252
Driving and Filling Shells			Foot	252
Test Pile Metal Shell			Each	1
Underwater Structure Excavation			Each	1
Protection - Location 2				
Structure Excavation			Cu. Yd.	70

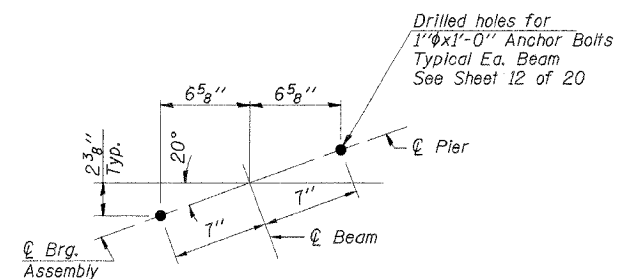
Reinforcement bars designated (E) shall be Epoxy Coated



ELEVATION
(Looking East)



SECTION B-B



ANCHOR BOLT LAYOUT

DESIGNED	A.R.K.
CHECKED	S.F.M. & F.J.S.
DRAWN	S.A.P.
CHECKED	A.R.K. & F.J.S.

PIER 2
 SECTION 04-00163-00-BR
 F.A.S. ROUTE 60 - C.H. 5
 STEPHENSON COUNTY
 STATION 255+30