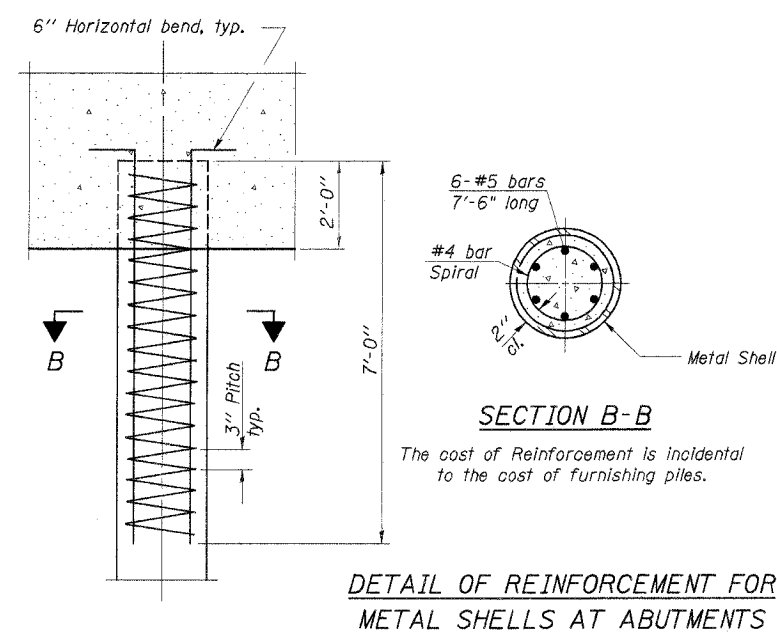
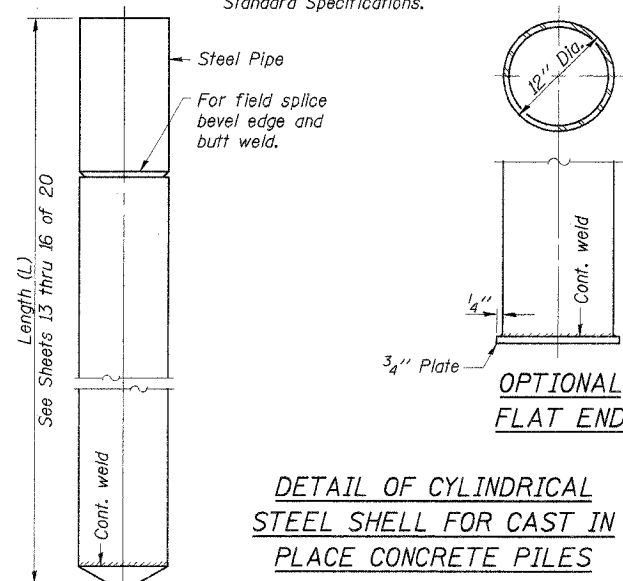


ROUTE NO.	SECTION	COUNTY	TOTAL SHEETS	SHEET NO.
C.H. 5	04-00163-00-BR	STEPHENSON	29	22

ILLINOIS
Sheet 17 of 20 CONTRACT NO. 85391

Notes: Driving and bearing ends of pipe shall be cut square. The thickness of the shell shall be 0.250 inches with a tolerance of 5%. The shell shall be according to Article 1006.05(a) of the Standard Specifications.



DESIGNED	A.R.K.
CHECKED	S.F.M. & F.J.S.
DRAWN	S.A.P.
CHECKED	A.R.K. & F.J.S.

CONCRETE PILE DETAILS

SECTION 04-00163-00-BR
F.A.S. ROUTE 60 - C.H. 5
STEPHENSON COUNTY
STATION 255+30

4440 ASH GROVE
SPRINGFIELD, IL 62711
(217) 793-8600
oasinc@insightbb.com

OZYURT AND STONE, INC.
CONSULTING ENGINEERS

JOB NO.: 0527
FILE: 0527PILE.DGN
DATE: 03/07/06