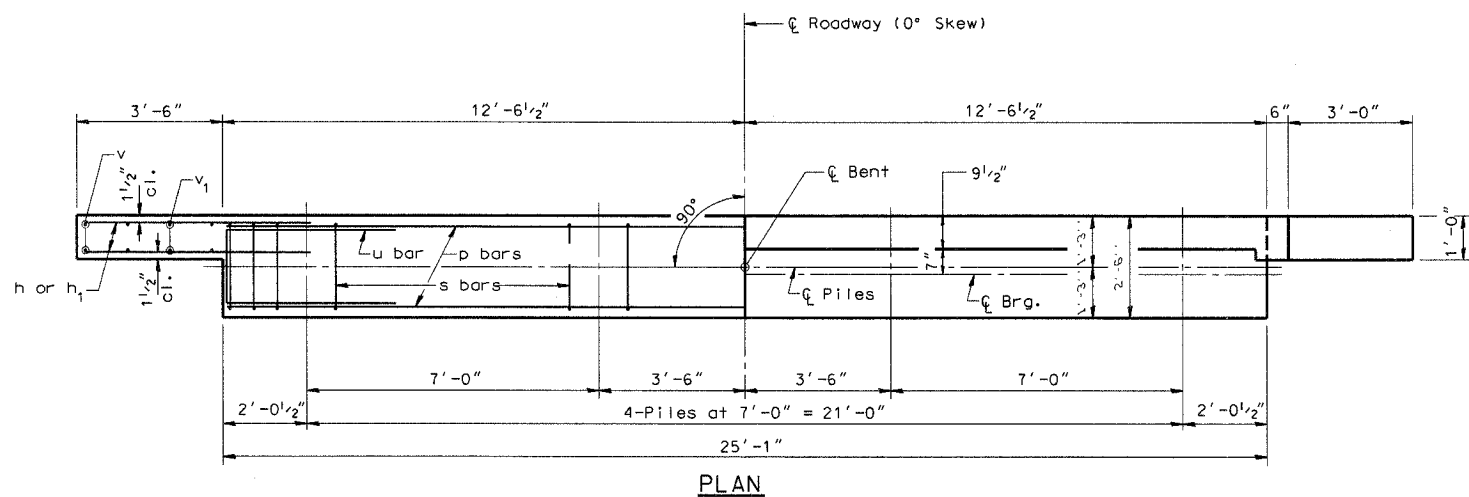
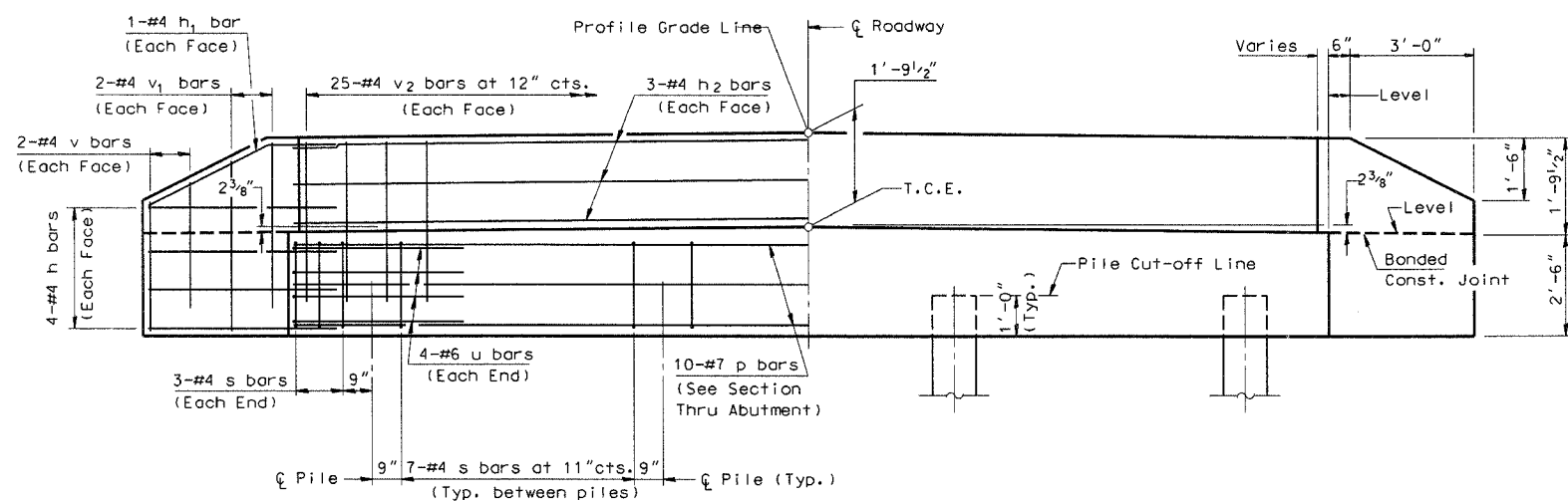


FAS RTE	SECTION	COUNTY	TOTAL SHEETS	SHEET NO.
TR 205	05-09126-00-BR 05-17134-00-BR	HENRY	11	7
F.H.W.A. REG.		ILLINDIS	PROJECT BROS-073(53)	



PLAN



ELEVATION

NOTES

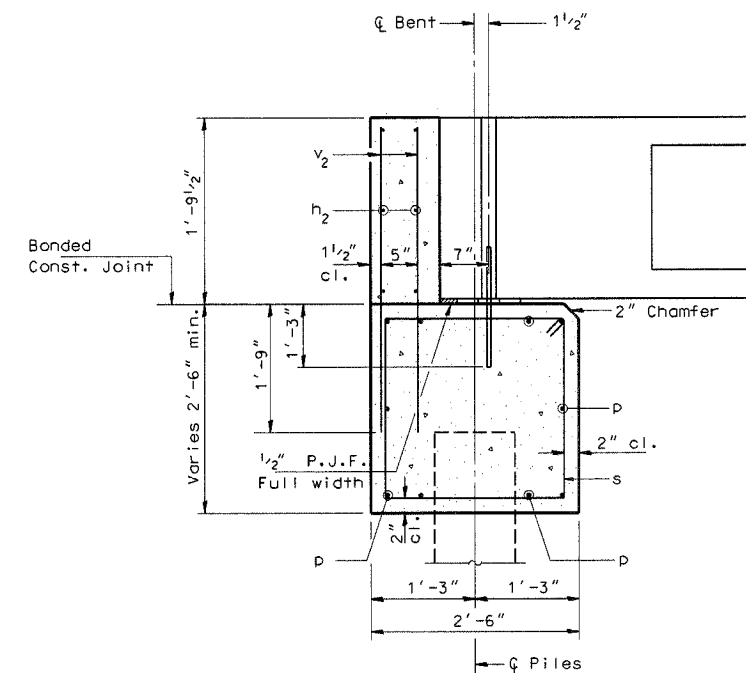
- The Backwall and the portion of the Wingwalls above the bonded construction joint shall be cast against the in-place beam.
- Reinforcement bars shall conform to A.A.S.H.T.O. M-31 or M-322, GRADE 60
- Space reinforcement in cap to miss anchor bolts.

MAXIMUM PILE LOADS

SPAN	TONS
40'	32

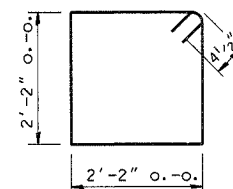
DESIGN STRESSES

f'c = 3,500 psi
fy = 60,000 psi

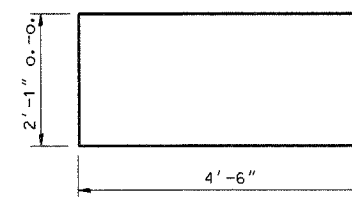


SECTION THRU ABUTMENT

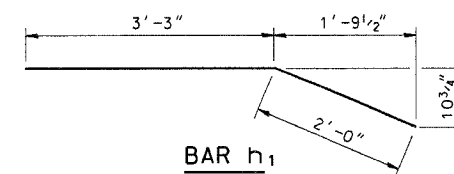
(At Right Angles)



BAR s



BAR u



BAR h1

BILL OF MATERIAL FOR ONE ABUTMENT

Bar	No.	Size	Length	Shape
h	16	#4	5'-0"	—
h1	4	#4	5'-3"	—
h2	6	#4	24'-9"	—
p	10	#6	24'-9"	—
s	27	#4	9'-5"	□
u	8	#6	11'-1"	—
v	8	#4	2'-8"	—
v1	8	#4	3'-8"	—
v2	50	#4	3'-5"	—
Concrete Structures			8.4	Cu. Yds.
Reinforcement Bars			990	Lbs.

P.P.C. DECK BEAMS
PILE BENT ABUTMENT

24' RDWY. | 21" BMS.