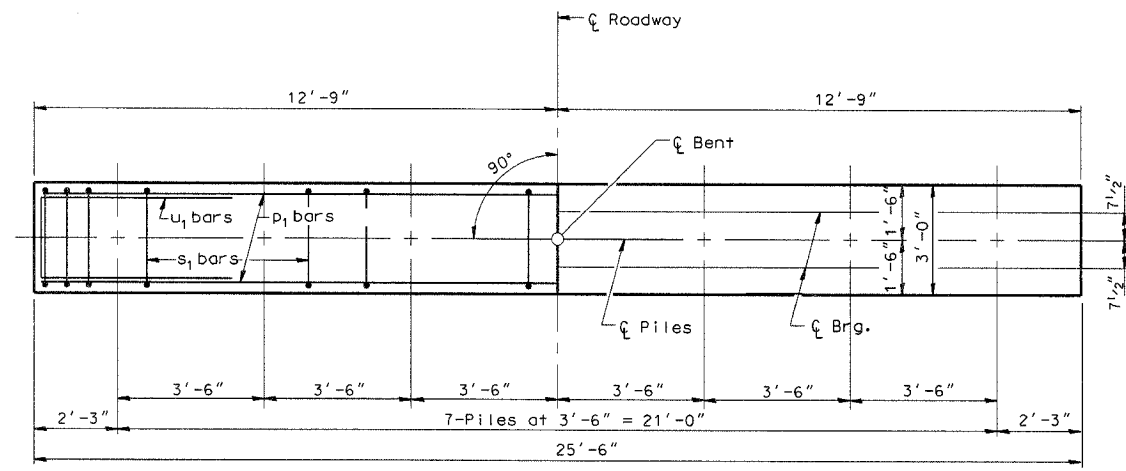
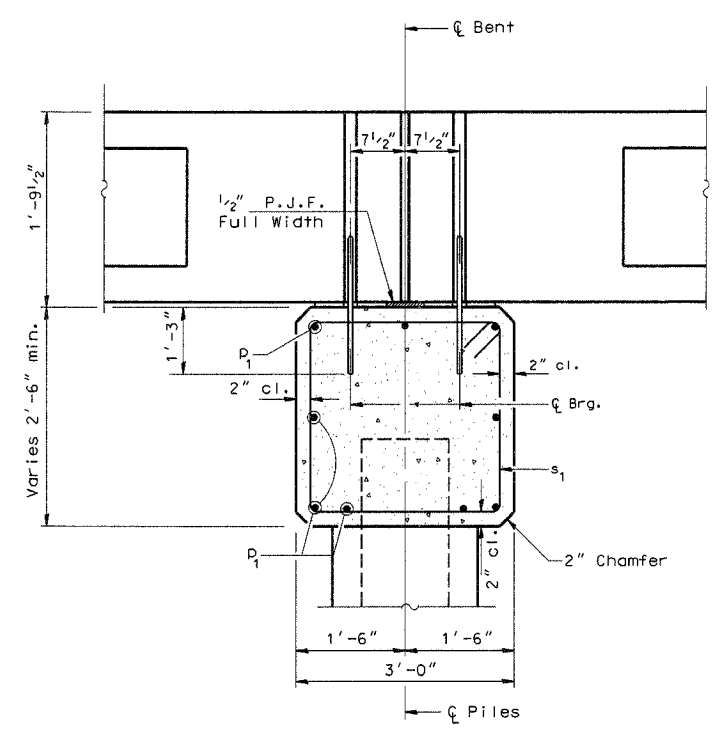


FAS RTE	SECTION	COUNTY	TOTAL SHEETS	SHEET NO.
TR 205	05-09126-00-BR 05-17134-00-BR	HENRY	11	8
F.H.W.A. REG.		ILLINOIS	PROJECT BROS-073(53)	



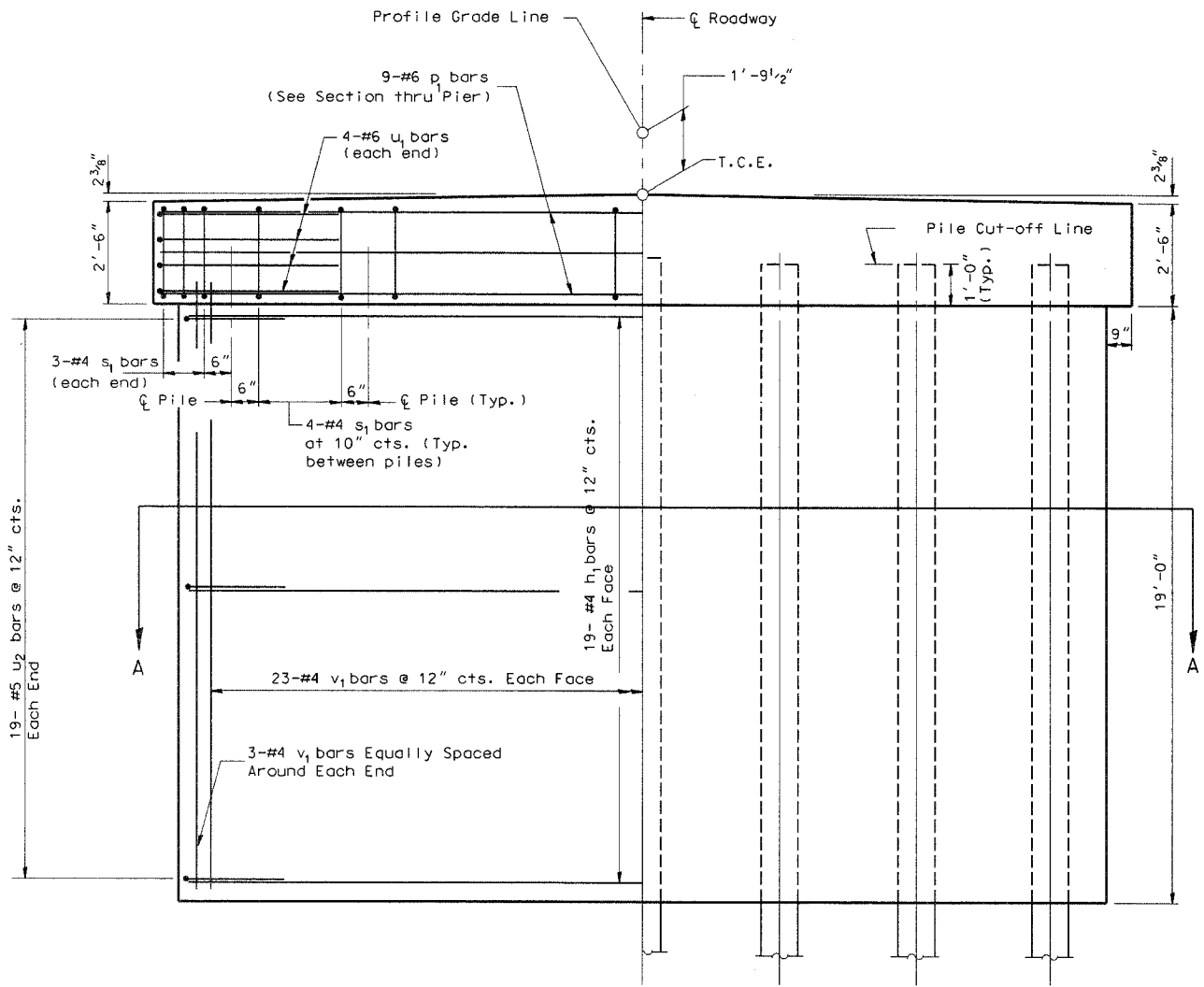
PLAN



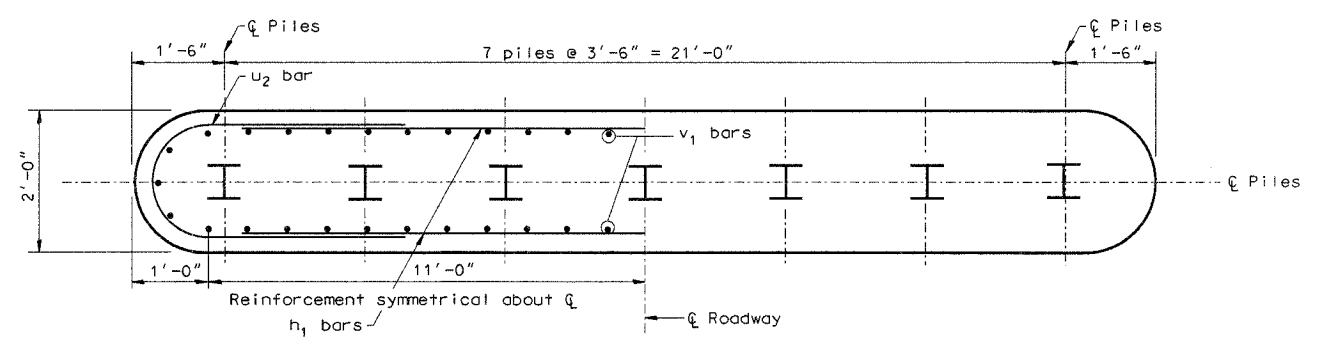
SECTION THRU PIER
(At Right Angles)

BILL OF MATERIAL
FOR ONE PIER

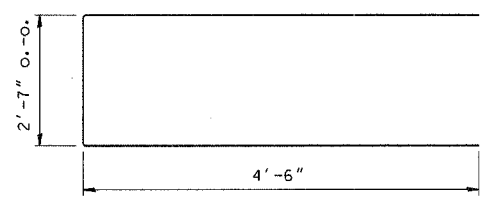
Bar	No.	Size	Length	Shape
h ₁	38	#4	22'-0"	—
p ₁	9	#6	25'-2"	—
s ₁	30	#4	10'-5"	□
v ₁	52	#4	20'-0"	—
u ₁	8	#6	11'-7"	—
u ₂	38	#5	11'-9"	—
Concrete Structures			40.5 Cu. Yds.	
Reinforcement Bars			2410 Lbs.	



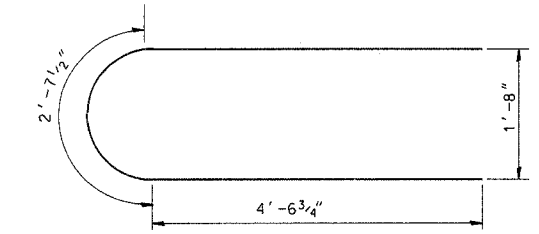
ELEVATION



SECTION A-A



Bar u₁



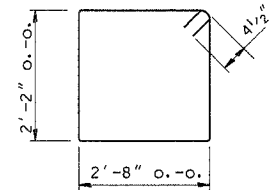
Bar u₂

MAXIMUM PILE LOADS

SPAN	TONS
40'	34

DESIGN STRESSES

f'c = 3,500 psi
fy = 60,000 psi



Bar s₁

NOTE

Reinforcement bars shall conform to A.A.S.H.T.O. M-31 or M-322, Grade 60.

P.P.C. DECK BEAMS PILE BENT PIER		
24' RDWY.	21" BMS.	