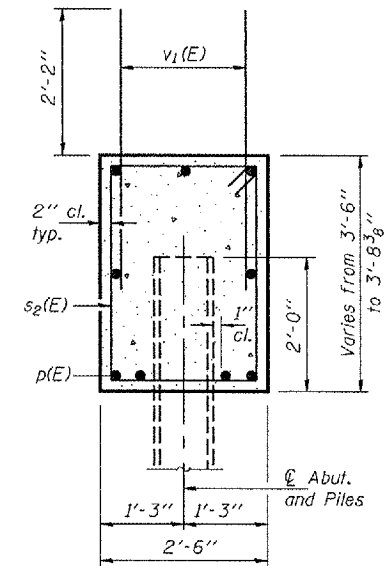
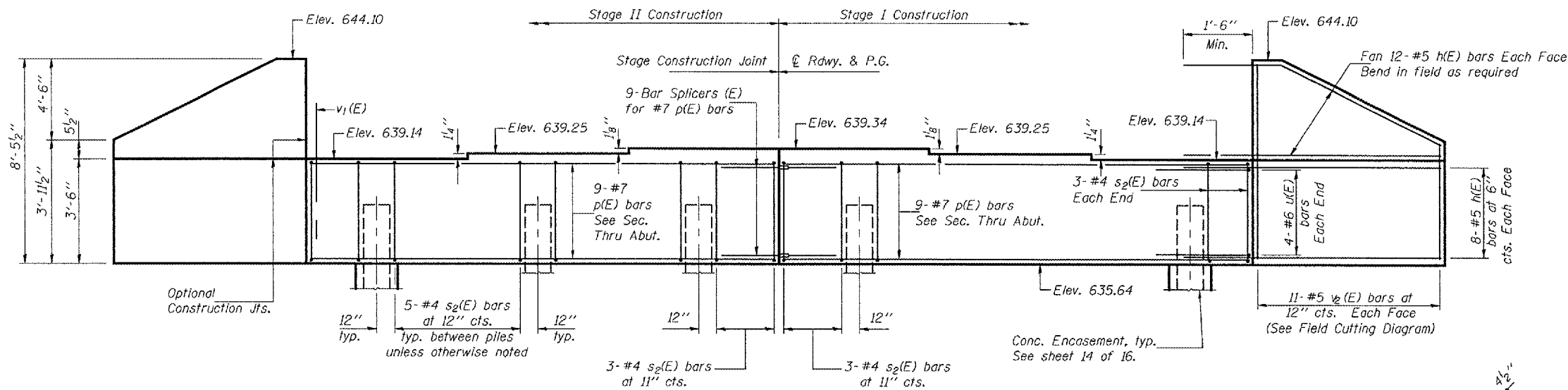


STATE OF ILLINOIS
DEPARTMENT OF TRANSPORTATION

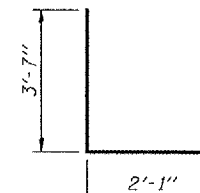
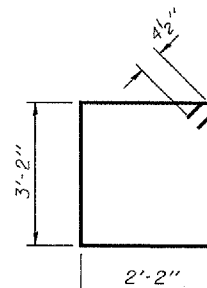
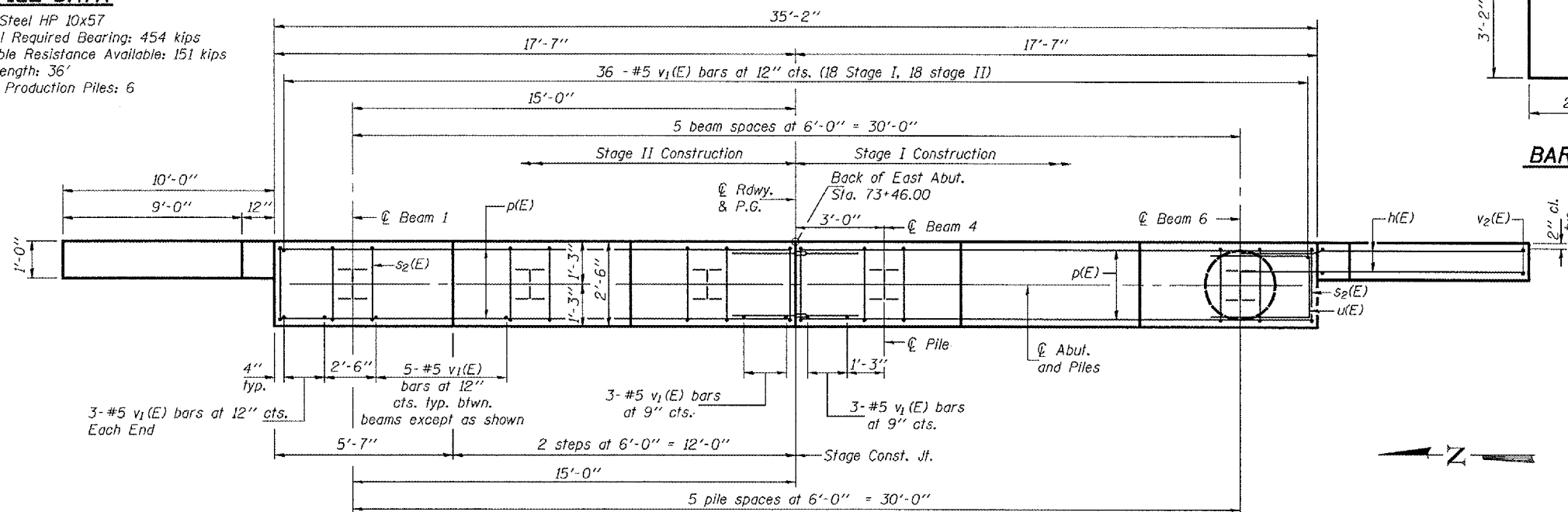
ROUTE NO. 310	SECTION (101BY)BR	COUNTY WARREN	SHEET 97	SET 47	SHEET NO. 13
F.A.P. 310 BR WARREN 97 47 16 SHEETS					
CONTRACT #88798					

Notes: Four steps monolithically with cap.



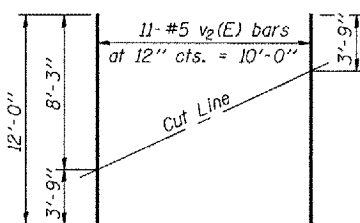
PILE DATA

Type: Steel HP 10x57
Nominal Required Bearing: 454 kips
Allowable Resistance Available: 151 kips
Est. Length: 36'
No. of Production Piles: 6



BILL OF MATERIAL

Bar	No.	Size	Length	Shape
h(E)	80	#5	11'-4"	—
p(E)	18	#7	17'-3"	—
s ₂ (E)	32	#4	11'-5"	□
u(E)	8	#6	9'-3"	□
v ₁ (E)	68	#6	4'-4"	—
v ₂ (E)	22	#5	12'-0"	—
Concrete Structures		Cu. Yd.	16.6	
Reinforcement Bars, Epoxy Coated		Pound	2650	
Structure Excavation		Cu. Yd.	220.5	
Furnishing Steel		Ft.	216	
Piles HP 10x57		Ft.	216	
Driving Piles		Ft.	216	



FIELD CUTTING DIAGRAM

Order v₂(E) full length. Cut as shown and use remainder of bars in opposite face.

DESIGNED	JSD
CHECKED	CME
DRAWN	OMC P.W. SWEET
CHECKED	JSD/CME

September 5, 2007
EXAMINED *Thomas J. Donagale*
ENGINEER OF PUBLIC DESIGN
PASSED *Ralph E. Anderson*
ENGINEER OF BRIDGES AND STRUCTURES

EAST ABUTMENT
F.A.P. ROUTE 310 - SECTION (101BY)BR
WARREN COUNTY
STATION 73+02
STRUCTURE NO. 094-0049