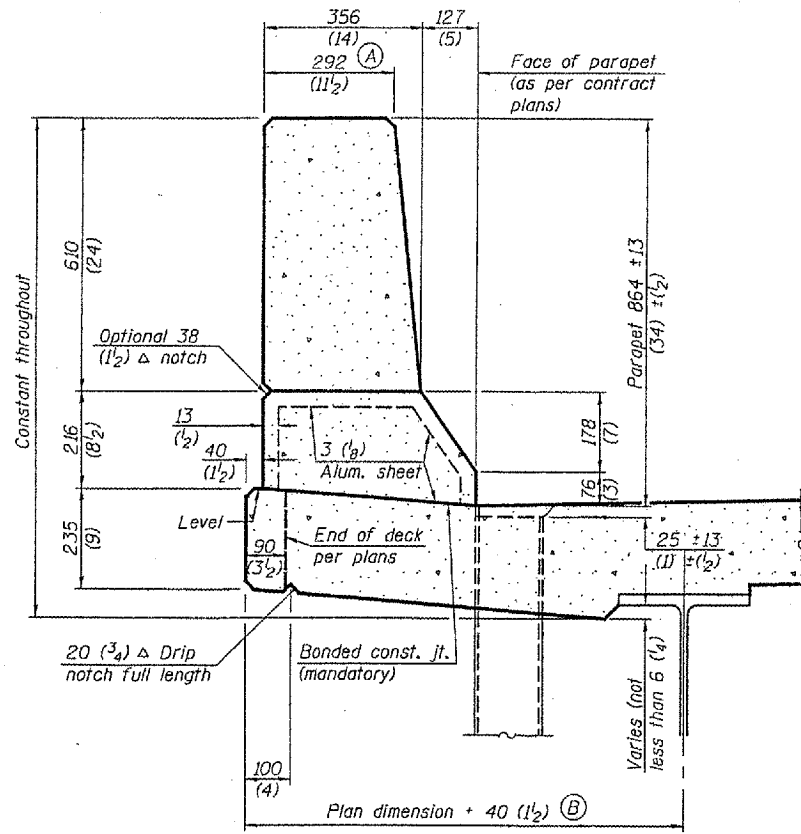


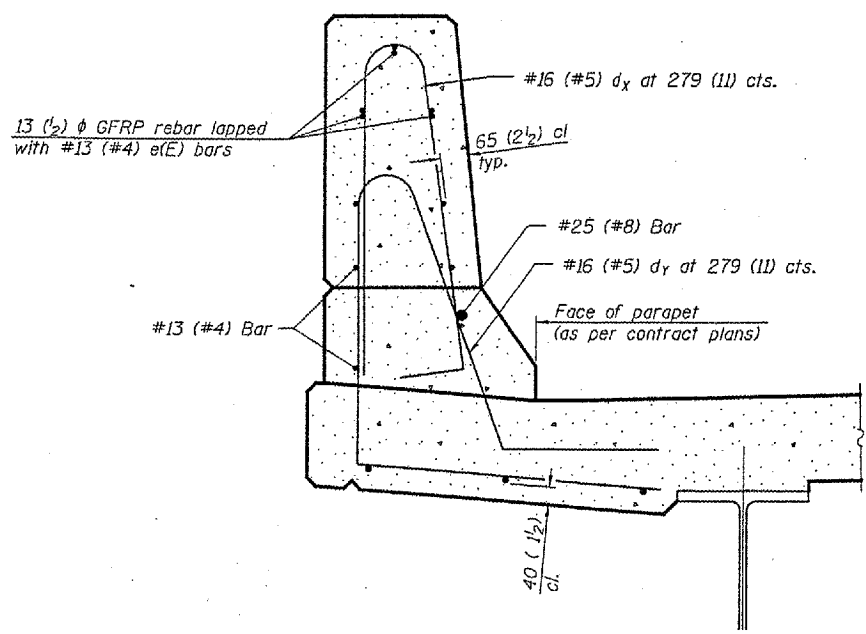
STATE OF ILLINOIS  
DEPARTMENT OF TRANSPORTATION

ROUTE NO.	SECTION	COUNTY	SHEET	SHEET NO.
FAP 310		WARREN	97 64A	
FED. ROAD DIST. NO. 7	ILLINOIS	FED. AID PROJECT		SHEETS

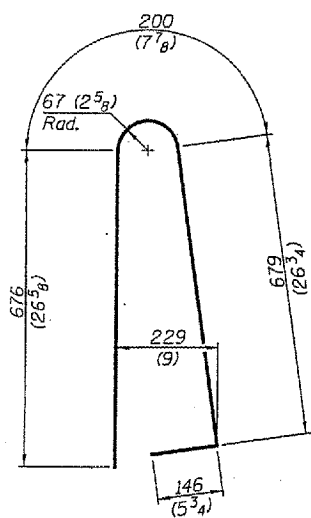
Contract # 88798



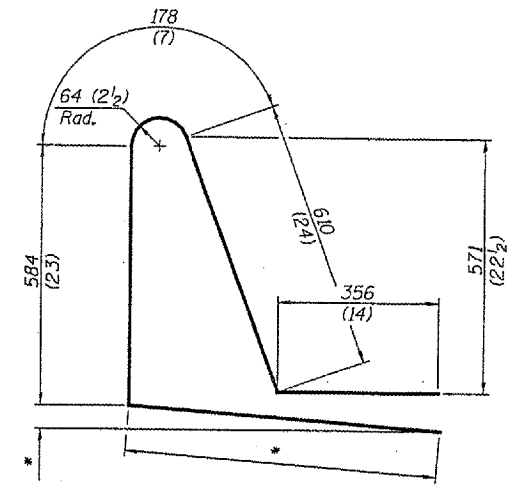
**SECTION**  
(Showing dimensions)



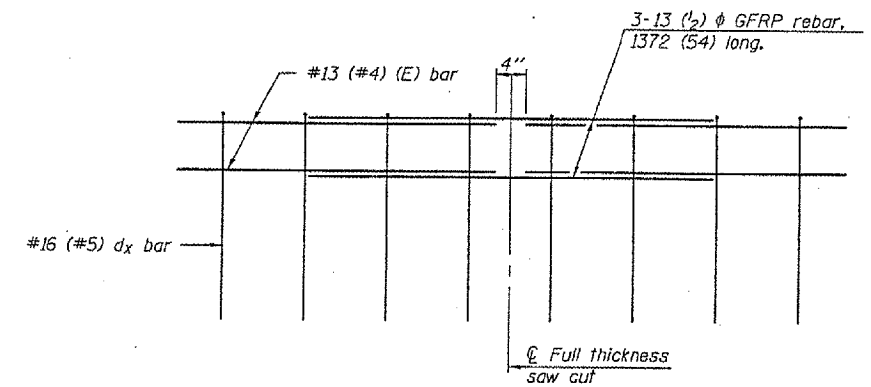
**SECTION**  
(Showing required reinforcement)



**BAR dx(e)**



**BAR dy(e)**  
\* Per contract plans



**GFRP REBAR STIFFENING DETAIL**  
(Place as shown in parapet section)

**GENERAL NOTES**  
All dimensions shall remain the same as shown on contract plans, except dimensions A and B which are to be revised as shown to provide additional clearance. Additional concrete needed to revise dimension A and B= 0.0422 m<sup>3</sup>/m (.0165 cu. yds./ft.) of parapet. Place aluminum sheet in curb portion at and near piers. Full thickness saw cut at all other locations. Adjust/add joint locations to maintain 3 to 6 meter (10 to 20 foot) spacing.

**CONCRETE PARAPET  
SLIPFORMING OPTION**