

F.A.P. RTE.	SECTION	COUNTY	TOTAL SHEETS	SHEET NO.
310	141-A1BR	McDONOUGH	58	46
STA.		TO STA.		
FED. ROAD DIST. NO.		ILLINOIS FED. AID PROJECT		

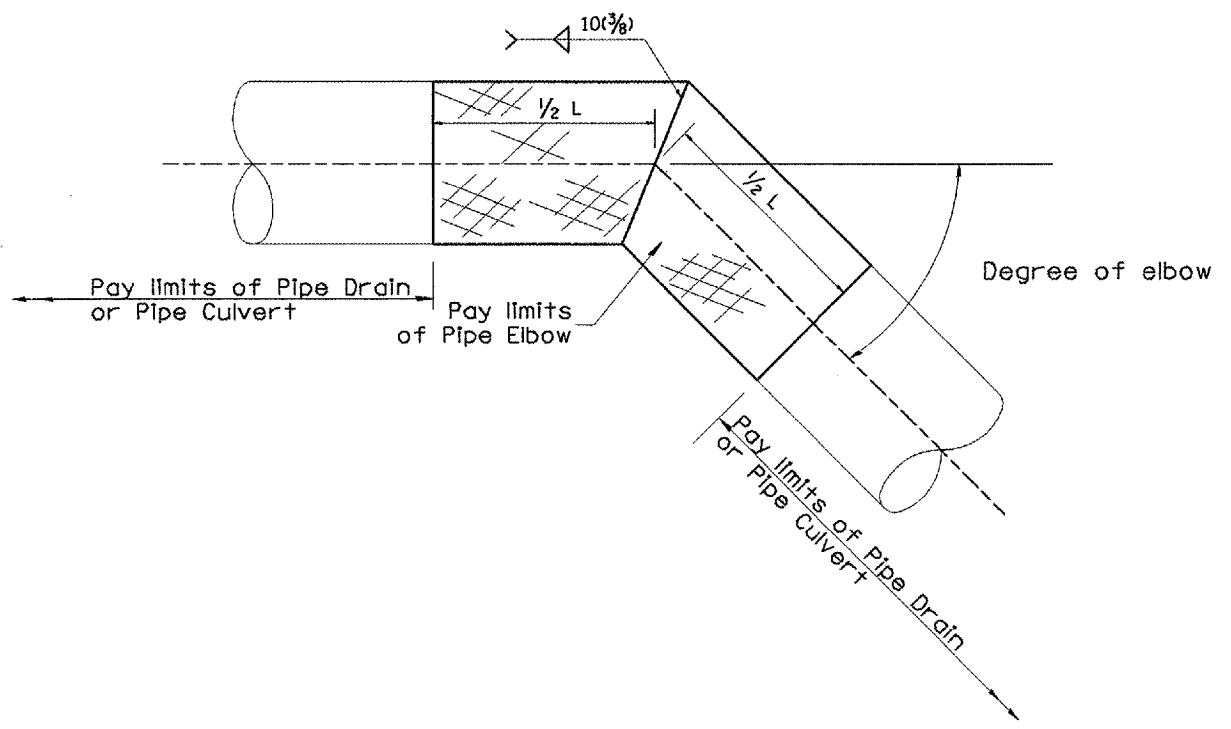
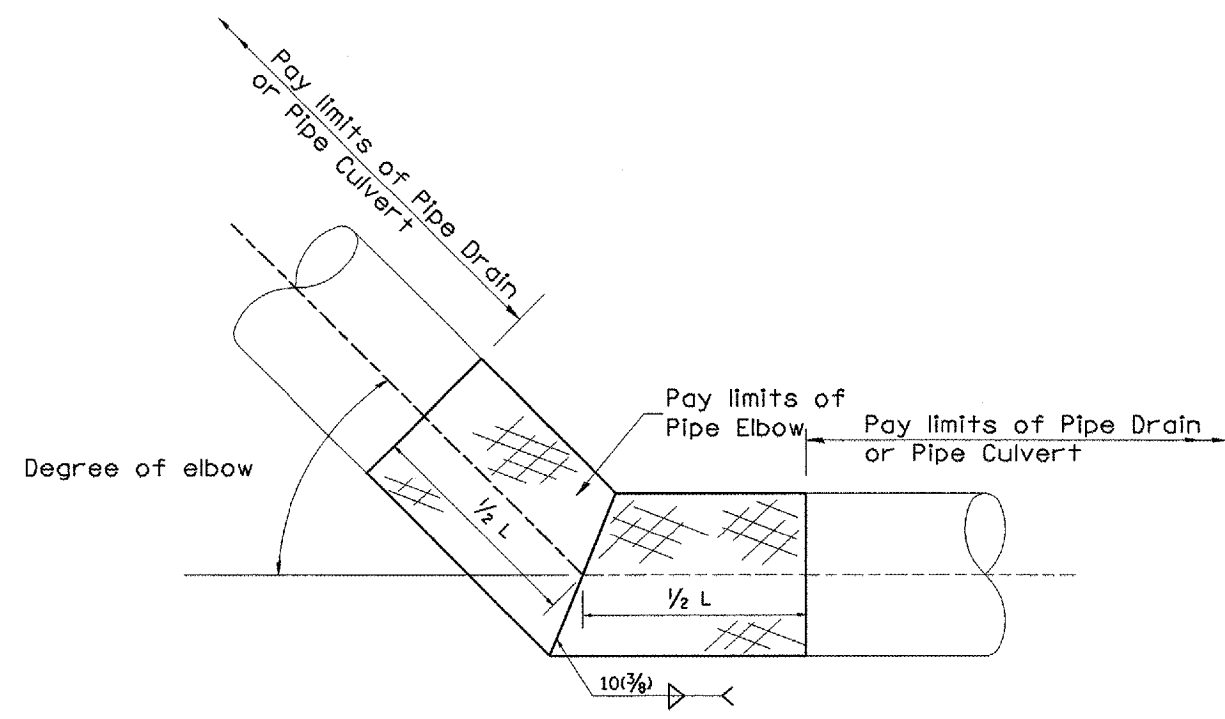


TABLE A ELBOW DESIGN CONTROLS		
PIPE DIAMETER	L = Pay limits of Pipe Elbow and minimum length of pipe required for fabrication	
	DEGREE OF ELBOW ≤ 45°	DEGREE OF ELBOW ≥ 46°
300(12)	600(24)	1.22M(4')
375(15)	600(24)	1.22M(4')
450(18)	600(24)	1.22M(4')
525(21)	600(24)	1.22M(4')
600(24)	1.22M(4')	1.22M(4')
750(30)	1.22M(4')	1.83M(6')
900(36)	1.22M(4')	1.83M(6')

TABLE B ELBOW DESIGN CONTROLS	
EARTH SLOPE (V:H)	DEGREE OF ELBOW *
1:6	9°
1:4	14°
1:3	18°
1:2	26°
1:1/2	33°

* Approximate - based upon 0.5% inlet and outlet flowlines.



All dimensions are in millimeters (Inches) unless otherwise noted.

ILLINOIS DEPARTMENT OF TRANSPORTATION	
DISTRICT CADD STANDARD	
PIPE ELBOW	
CADD STD. NO. 601301-04	DRAWN BY CADD
SCALE: NOT DRAWN TO SCALE	CHECKED BY

DATE	REVISIONS	BY
1-1-97	RENUM. J-11.05, NEW REVISION BOX, REVISED TITLE BOX	T.P.

DATE