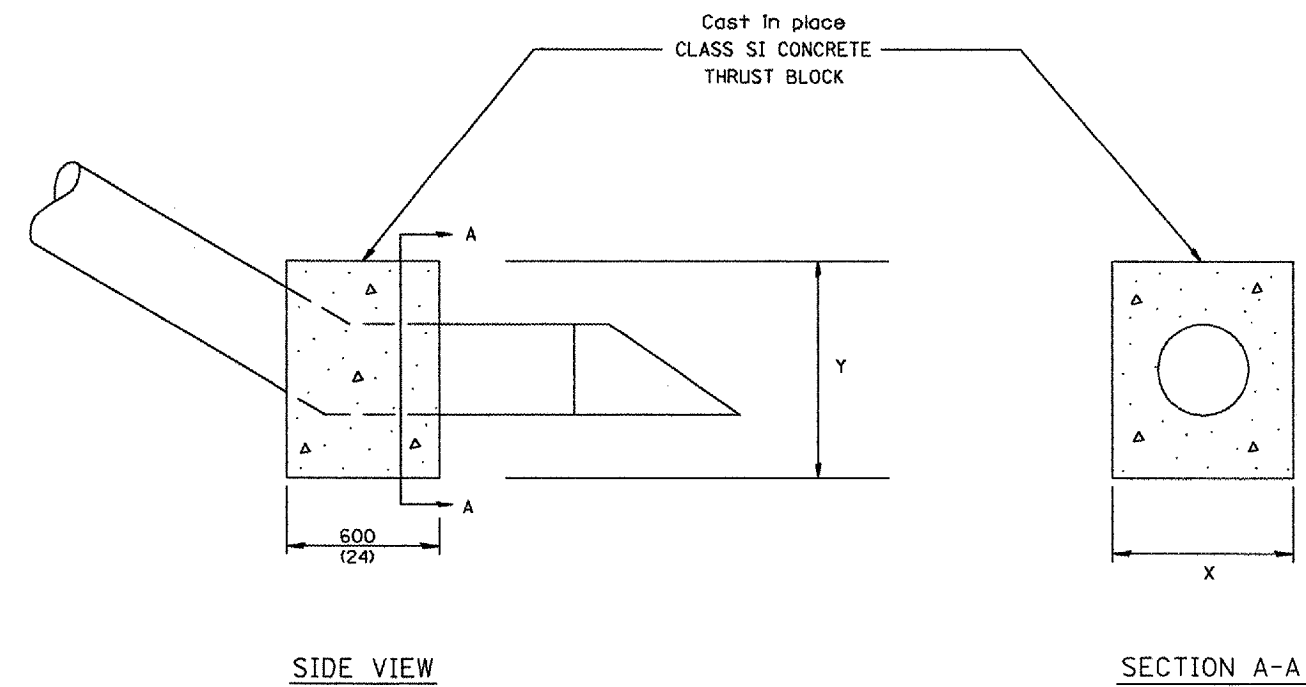


F.A.P. RTE.	SECTION	COUNTY	TOTAL SHEETS	SHEET NO.
310	41-ABR	McDONOUGH	58	50
STA.		TO STA.		
FED. ROAD DIST. NO.		ILLINOIS FED. AID PROJECT		

### CONCRETE THRUST BLOCK BILL OF MATERIALS

PIPE SIZE	X	Y	CLASS SI CONCRETE m <sup>3</sup> (cu. yd.)
300(12)	600(24)	600(24)	0.2(0.2)
375(15)	675(27)	675(27)	0.2(0.3)
450(18)	750(30)	750(30)	0.2(0.3)
600(24)	900(36)	900(36)	0.3(0.4)
750(30)	1.07m (3'-6")	1.07m (3'-6")	0.6(0.8)



The contract unit price each for CONCRETE THRUST BLOCK shall include the cost of excavation, CLASS SI CONCRETE and compacted backfill.

All dimensions are in millimeters (inches) unless otherwise noted.

QUANTITIES	
CALC. BY: _____	DATE: _____
CHECKED BY: _____	DATE: _____
QUANTITY CALCULATIONS ARE ON FILE AT THE DISTRICT 4 OFFICE; BUREAU OF PROJECT IMPLEMENTATION DOCUMENTATION SECTION	

DATE	REVISIONS	BY
1-1-97	RENUM. J-10.04, NEW REVISION BOX, ADDED QUANTITY CALCULATION BOX.	T.P.

ILLINOIS DEPARTMENT OF TRANSPORTATION	
DISTRICT CADD STANDARD	
CONCRETE THRUST BLOCKS	
CADD STD. NO. 609001-D4	DRAWN BY CADD
SCALE: NOT DRAWN TO SCALE	CHECKED BY