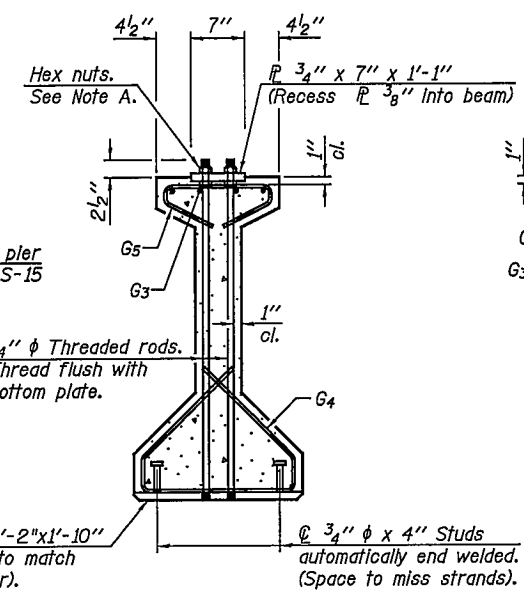


ELEVATION OF BEAM
(Showing reinforcement & dimensions)

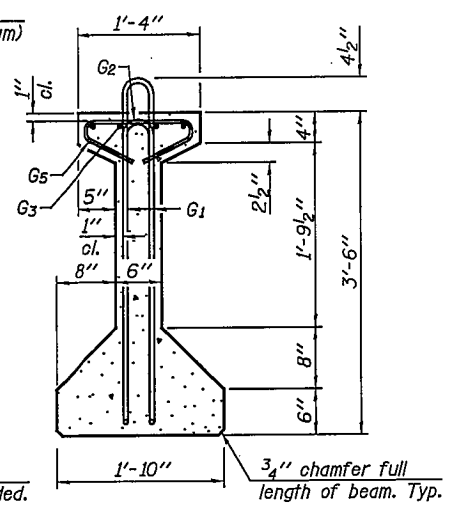
* 3 spaces at 3" = 9".
** 4-3/4" φ threaded dowel rods at 3" cts., each face.

2-#8 G6 bars at pier only. (See sheet S-15 for details).

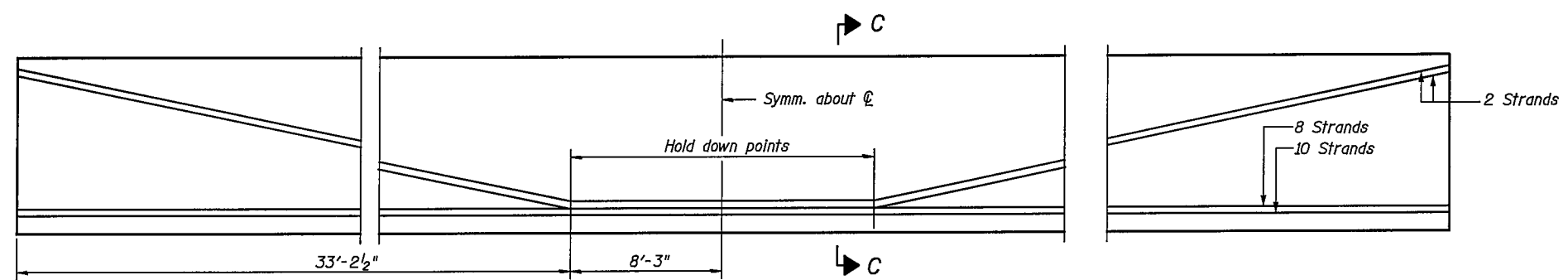
Note A:
Hex nuts (top and bottom) with lock washers (top). Only tighten sufficiently to compress lock washers.



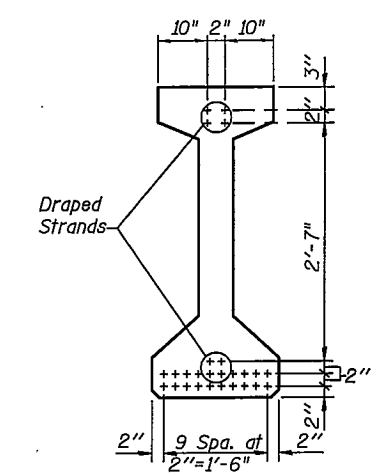
SECTION A-A



SECTION B-B



ELEVATION OF BEAM
(Showing Prestressing Steel)



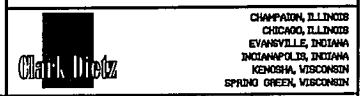
SECTION C-C

BAR LIST
ONE BEAM ONLY

Bar	No.	Size	Length	Shape
G1	69	#4	8'-5"	∩L
G2	10	#4	4'-4"	∩
G3	12	#6	29'-5"	—
G4	38	#3	4'-11"	∩
G5	83	#3	2'-6"	∩
G6	2	#8	3'-9"	∩

Notes:
See sheet S-15 for additional details and Bill of Material.
Required release strength, f'cl, shall be 5,000 psi.

PPC I-BEAMS
SPANS 1 & 5
U.S. ROUTE 136/IL. ROUTE 1 OVER
NORTH FORK VERMILION RIVER
F.A.P. ROUTE 332 SEC. RX-1-BR-1
VERMILION COUNTY
STATION 198+63.75
STRUCTURE NO. 092-0205



REVISIONS	DATE	BY	CHKD	APP'D	DATE

NOTE: DIMENSIONS, UNLESS NOTED OTHERWISE, SHALL BE IN INCHES AND DECIMALS THEREOF.

DESIGNED BY: JY	PROJECT NO: 1822180
DRAWN BY: HEM	DATE: X/05
CHECKED BY: HJH	
APPROVED BY: XXXX	
ACTIVITY: DETAILS	

DRAWING NUMBER: **S-13**